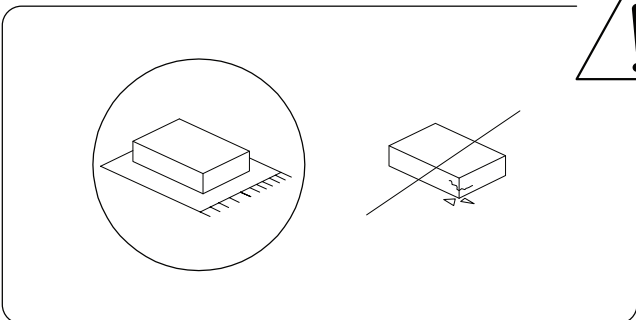
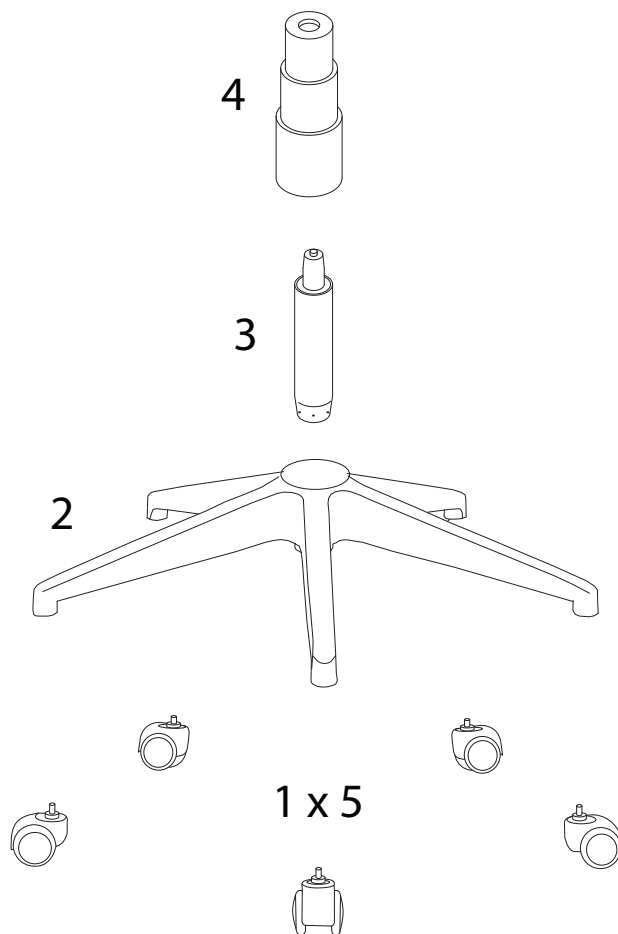
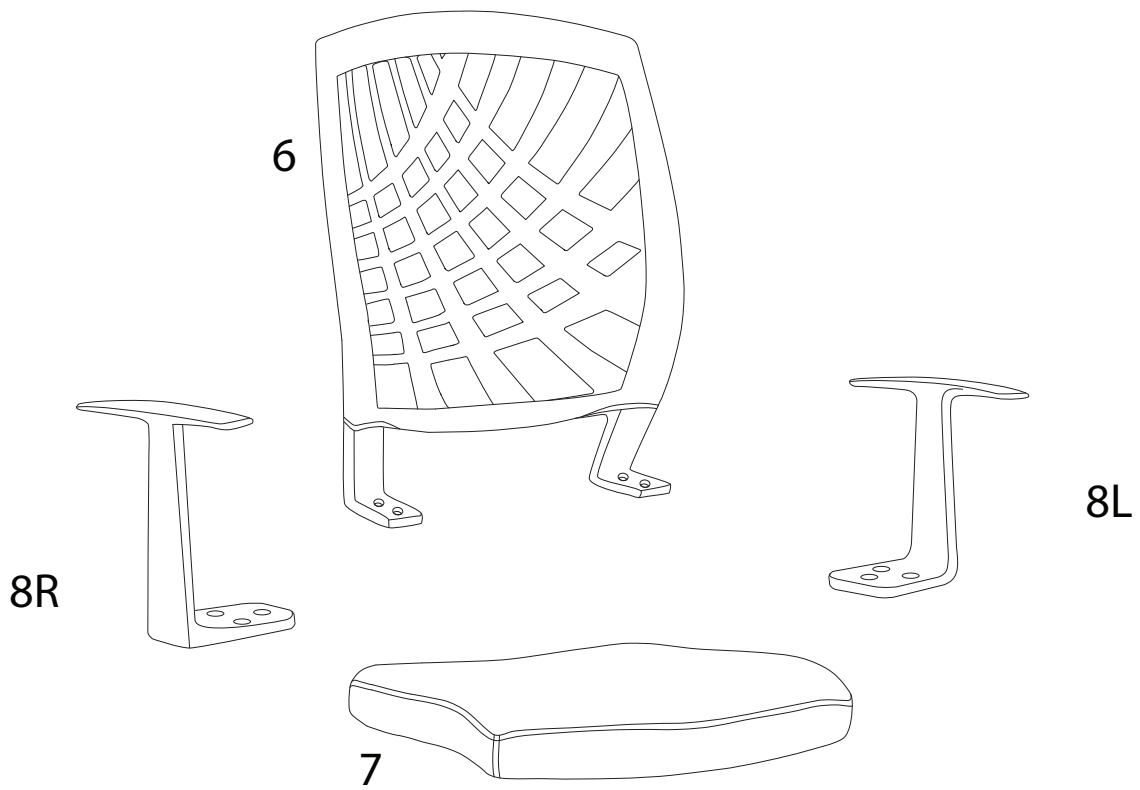


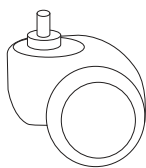
20'



1

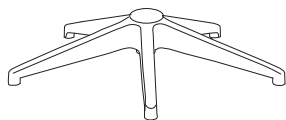


1



x 5

2



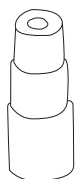
x 1

3



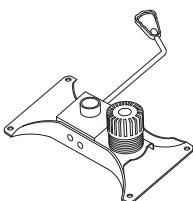
x 1

4



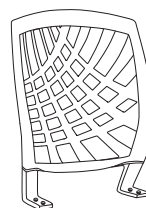
x 1

5



x 1

6



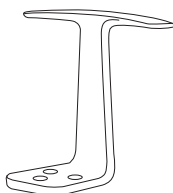
x 1

7



x 1

8L



x 1

8R



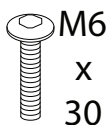
x 1

9



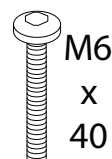
x 4

10



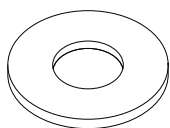
x 6

11



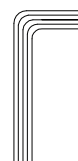
x 4

12



x 6

13



x 1

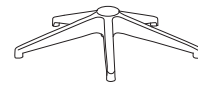
1

1



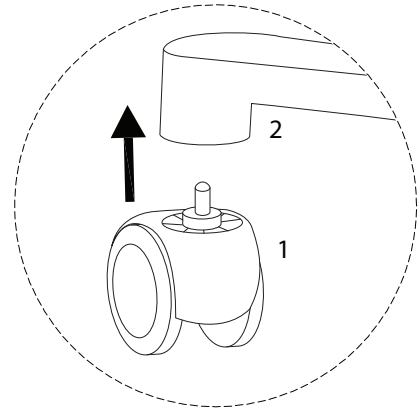
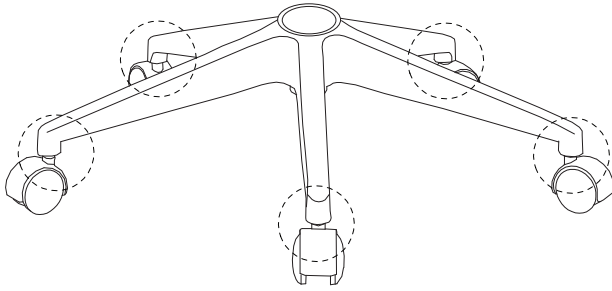
x 5

2



x 1

2



2

3

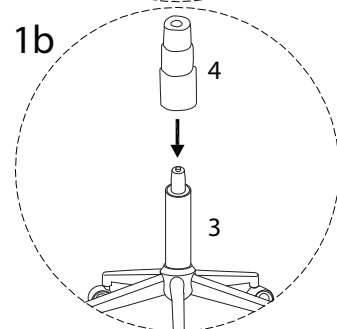
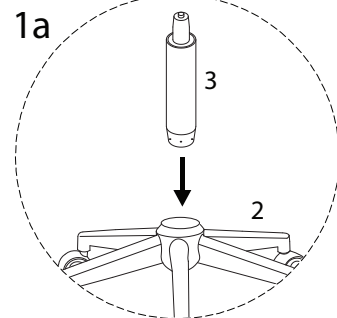
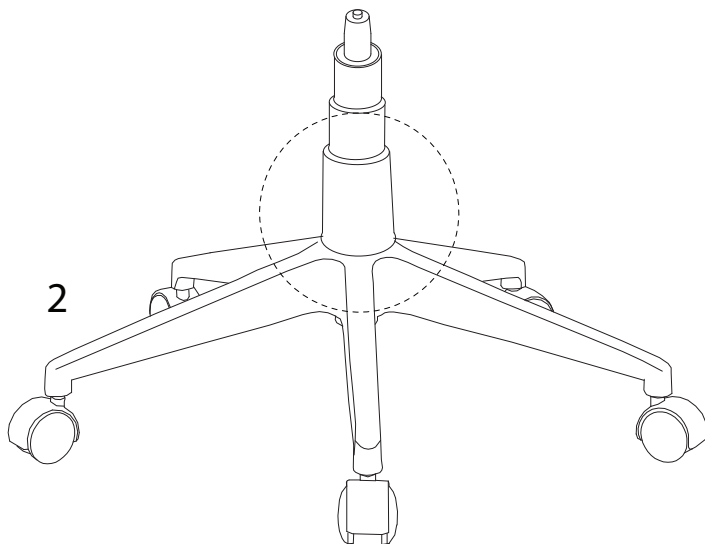


x 1

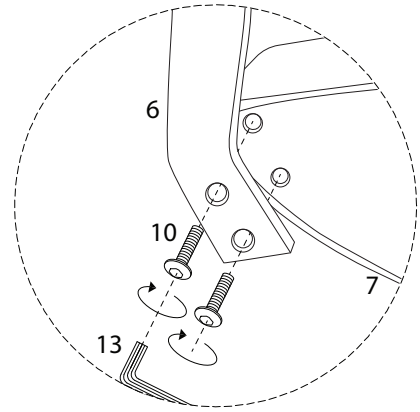
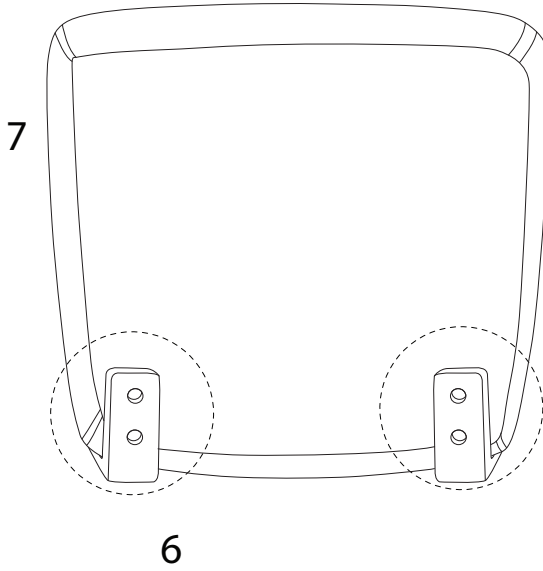
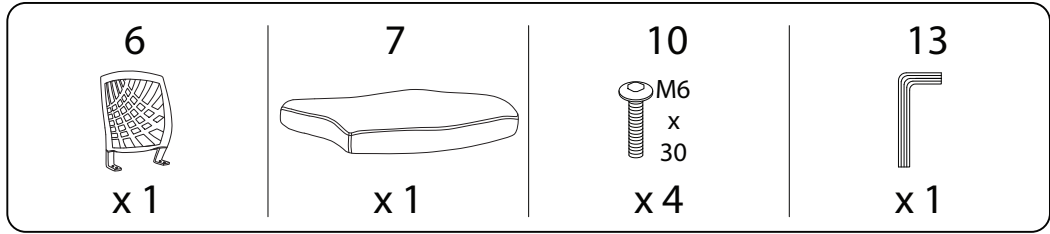
4



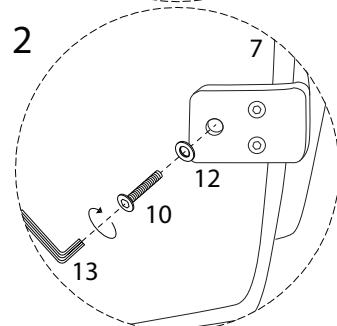
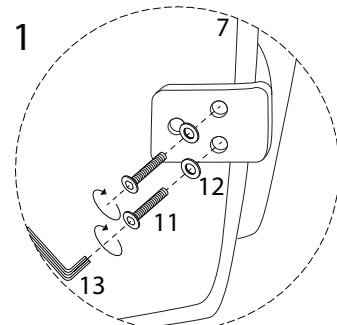
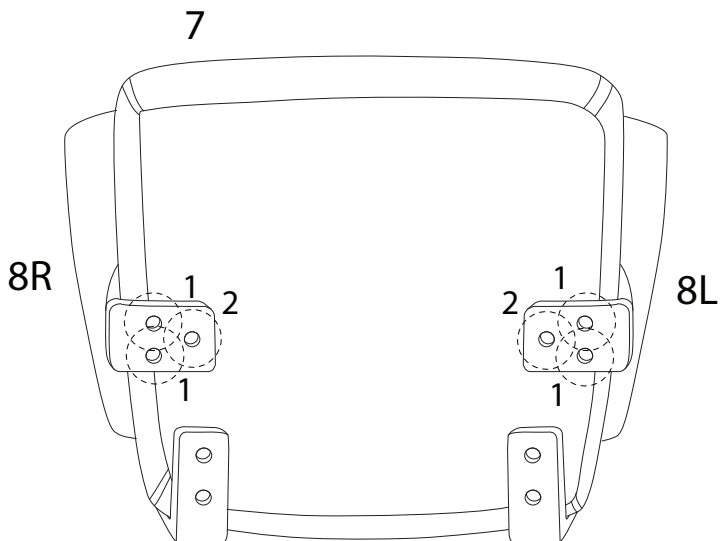
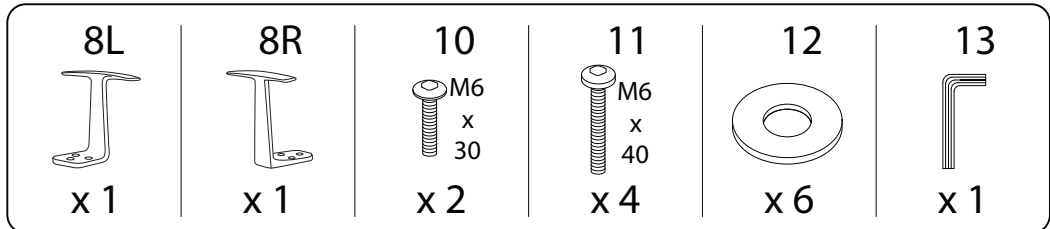
x 1



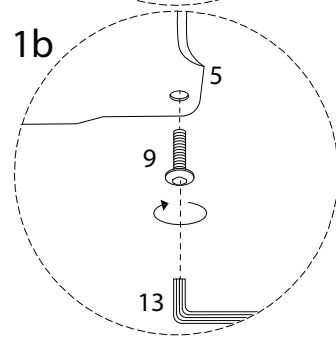
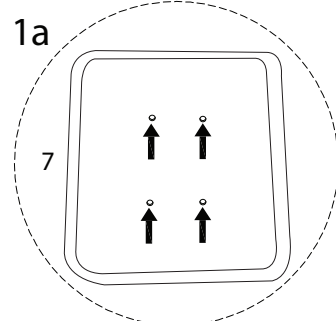
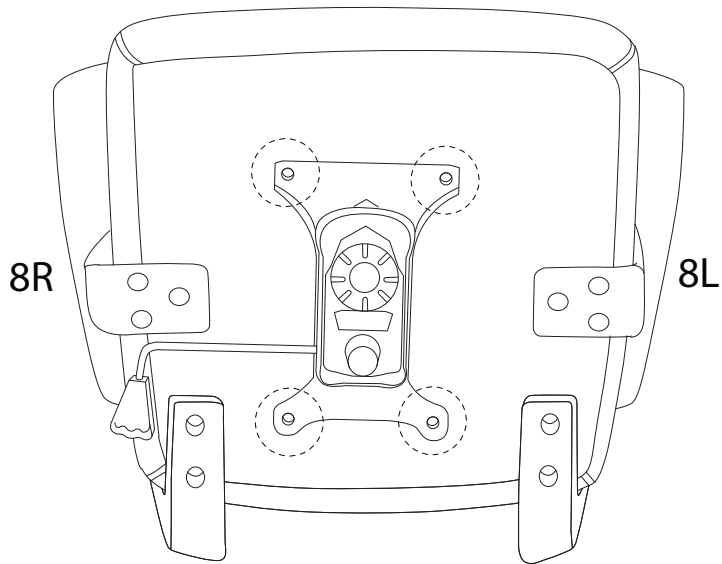
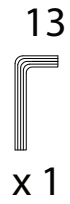
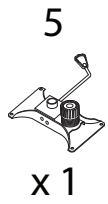
3



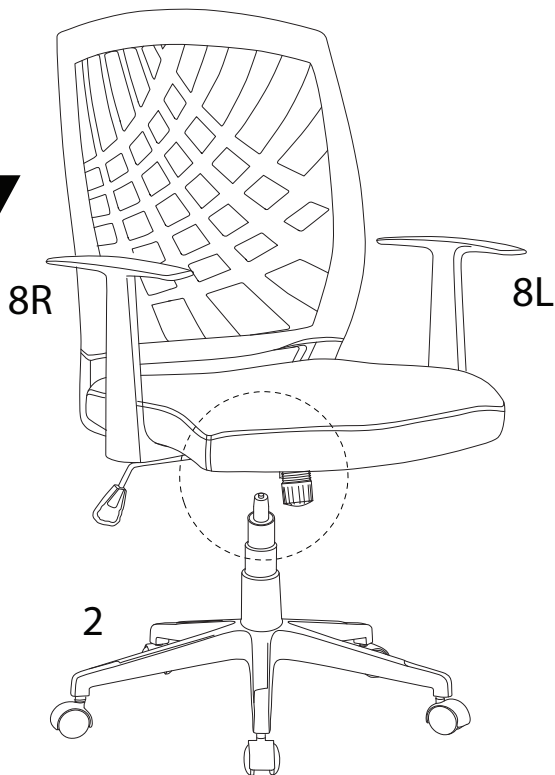
4



5



6



!

