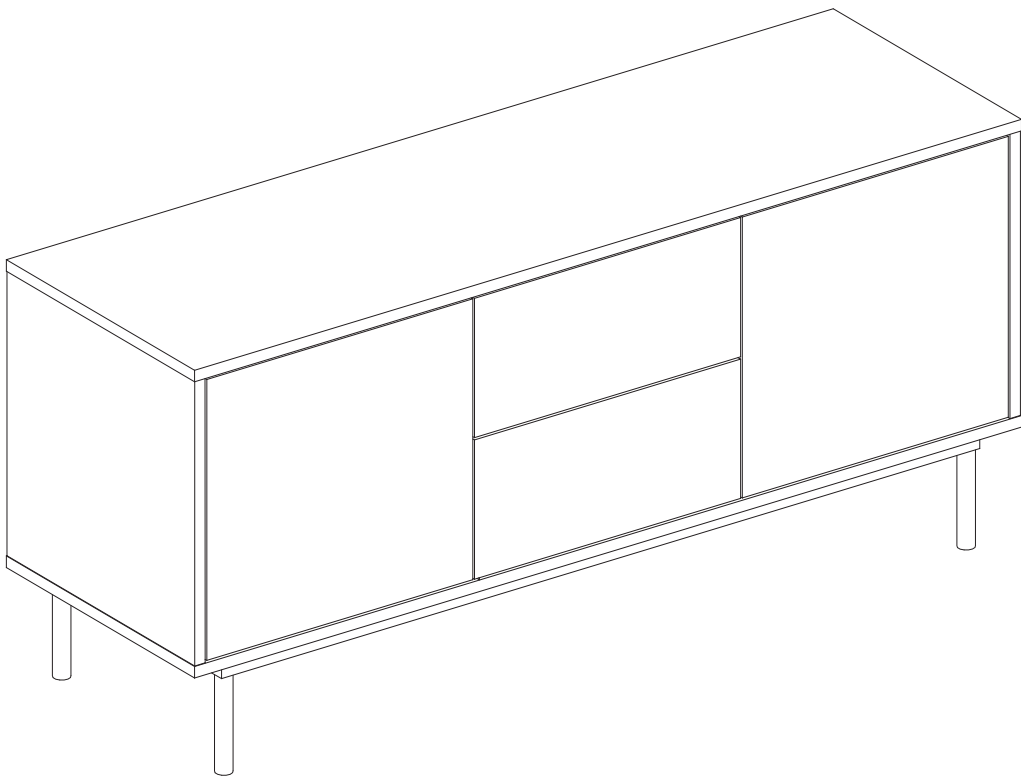
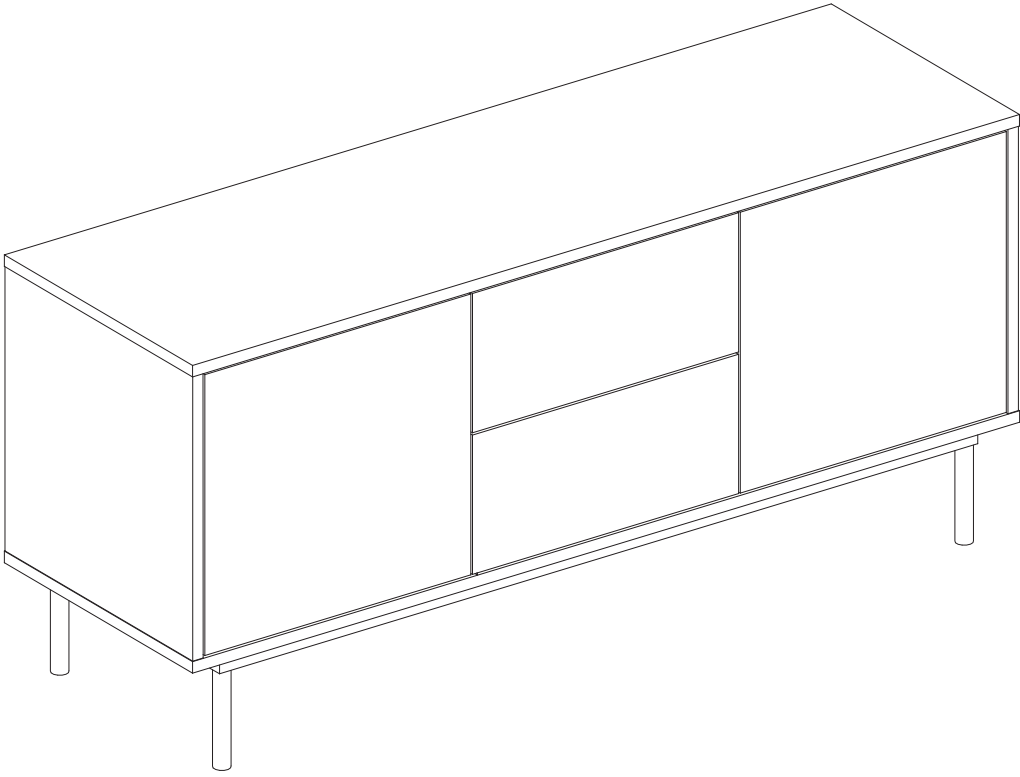


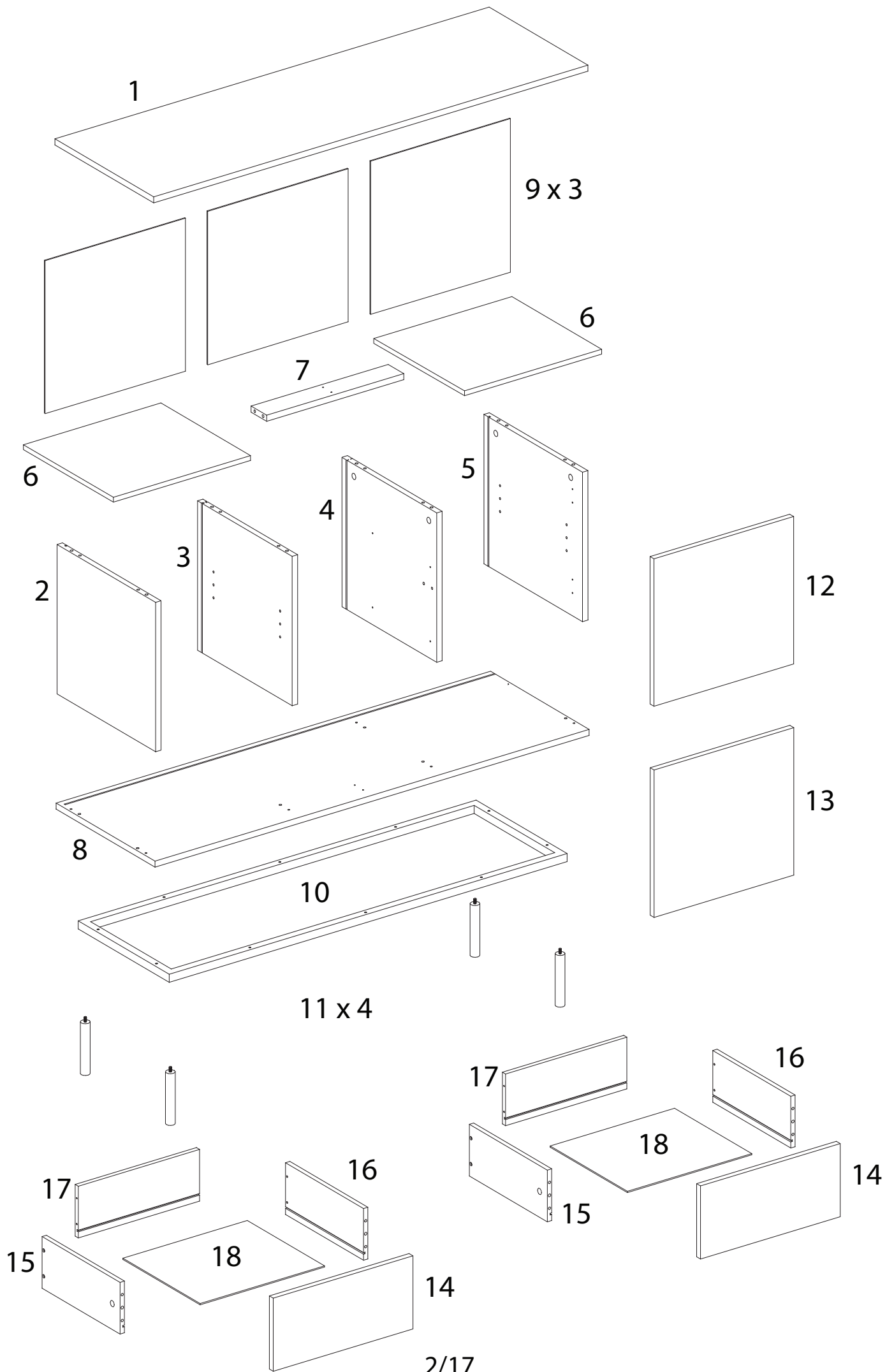
OKLAND

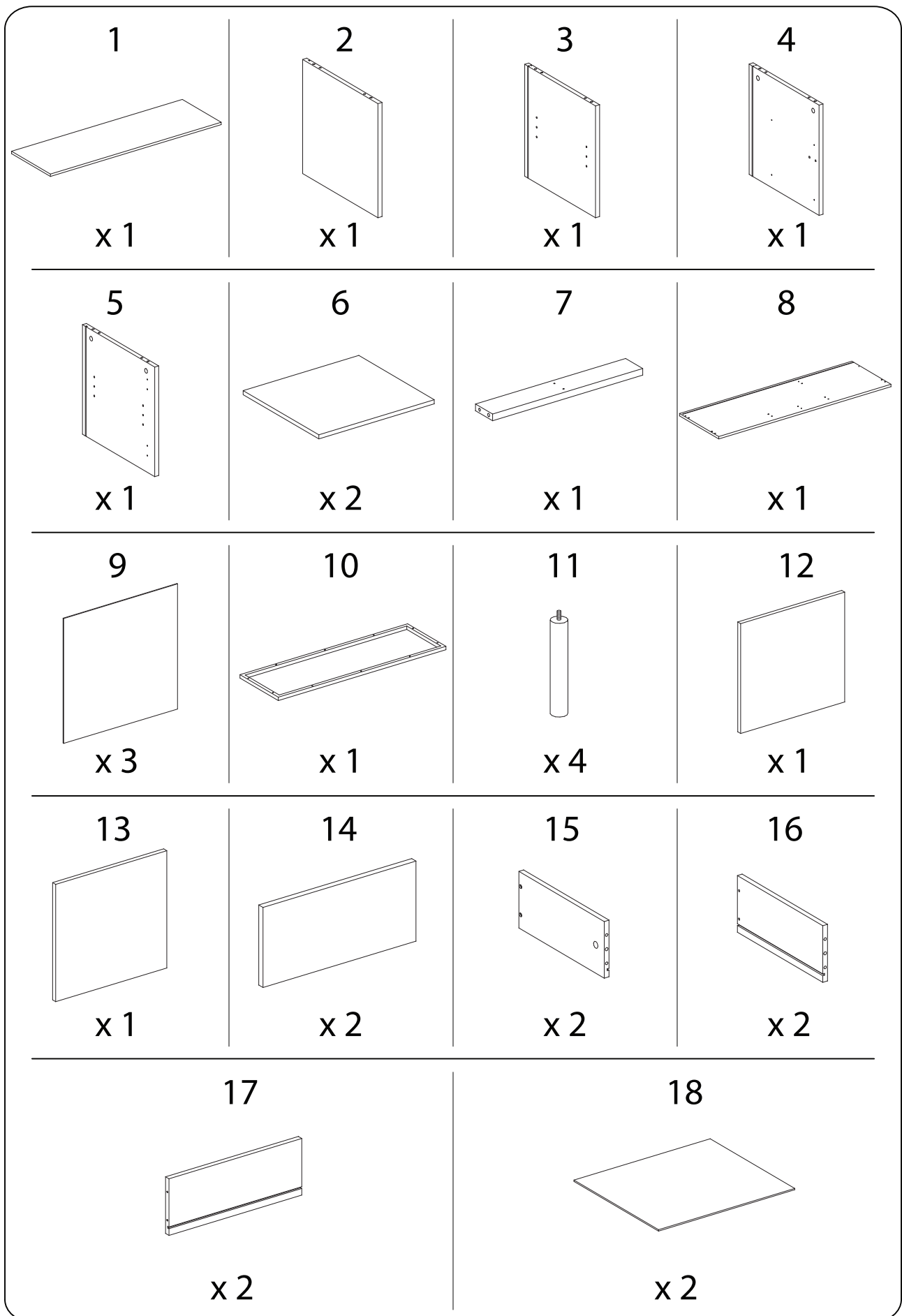




Assembly instructions for step 1/17:

- Tools:** A screwdriver is required. A power drill is not to be used (indicated by a diagonal line through the drill icon).
- Warning:** A warning triangle with an exclamation mark is present.
- Time:** A clock icon indicates that this step takes 90 minutes.
- Personnel:** An icon of a person indicates that two people are required for this step.
- Diagram:** A diagram shows a rectangular panel being placed on a textured surface. A second diagram shows the panel being secured to the surface with a screw, with a diagonal line through the screw icon indicating that a power drill should not be used.



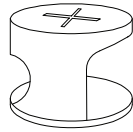


A



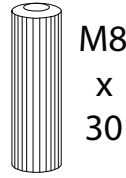
x 14

B



x 14

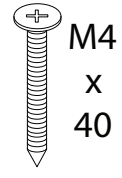
C



M8
x
30

x 18

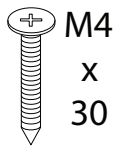
D



M4
x
40

x 8

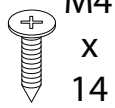
E



M4
x
30

x 8

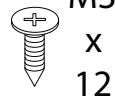
F



M4
x
14

x 16

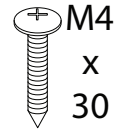
G



M3
x
12

x 28

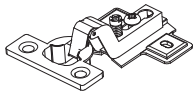
H



M4
x
30

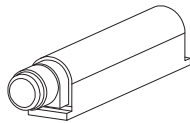
x 10

I



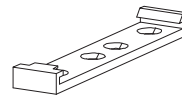
x 4

J



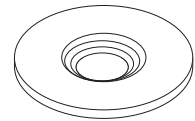
x 4

K



x 4

L



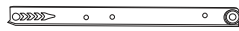
x 4

M



x 2

N



x 2

O



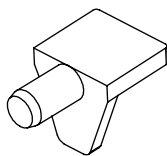
x 2

P



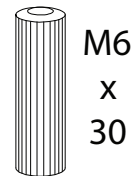
x 2

Q



x 8

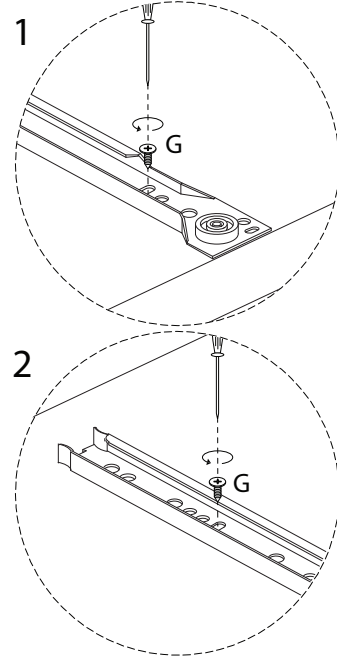
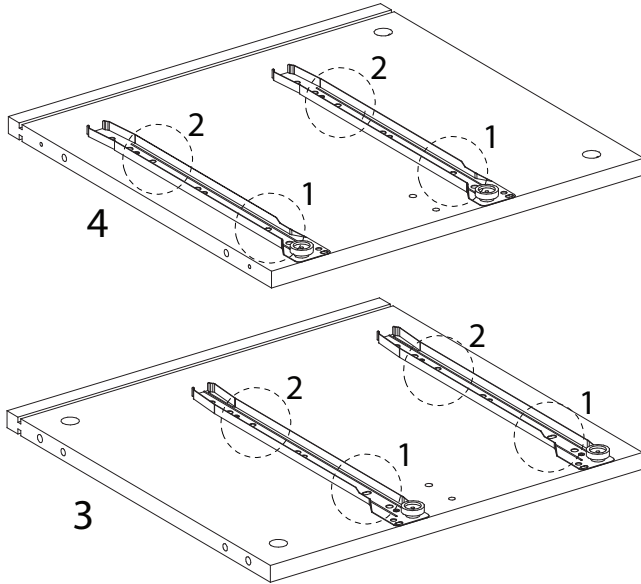
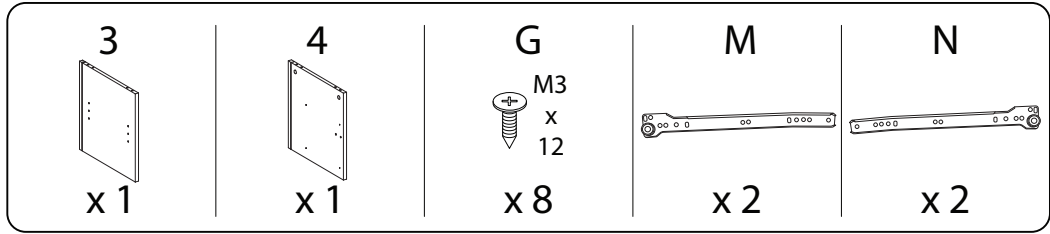
R



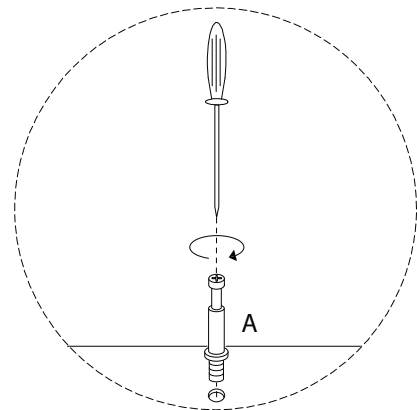
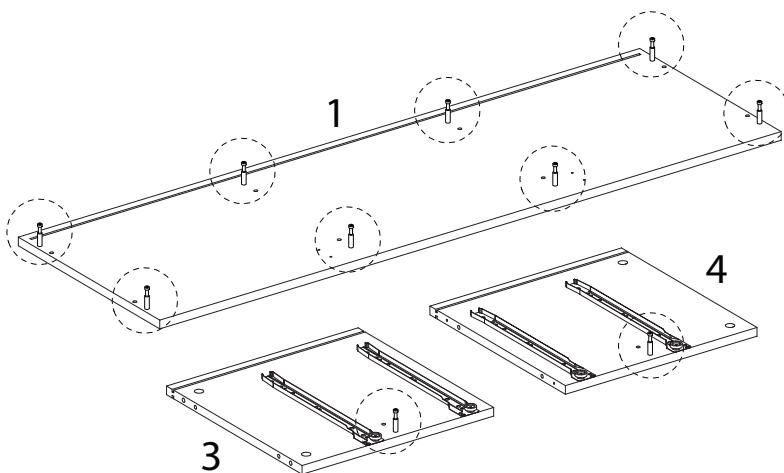
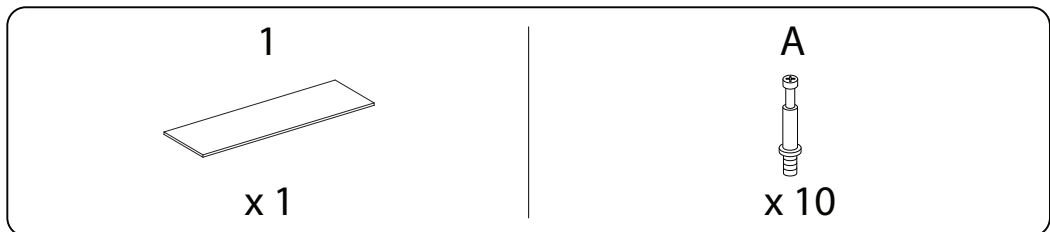
M6
x
30

x 8

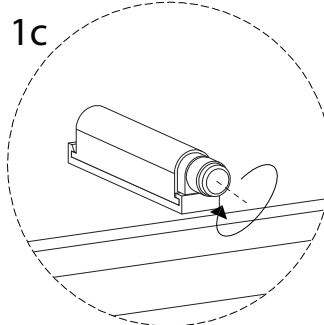
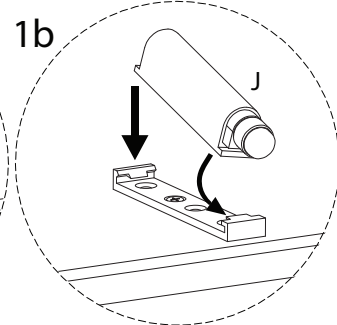
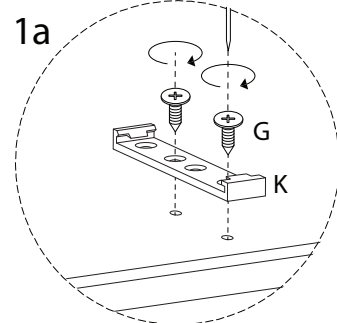
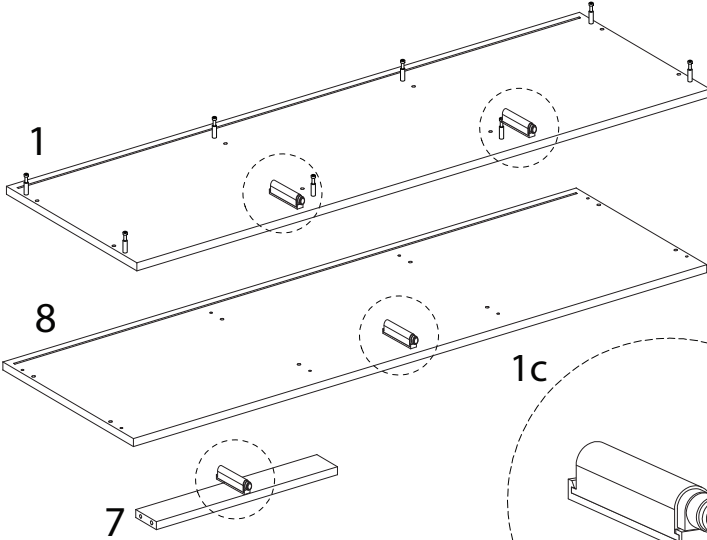
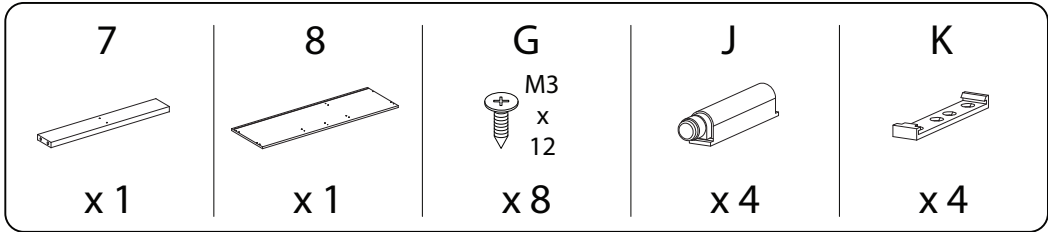
1



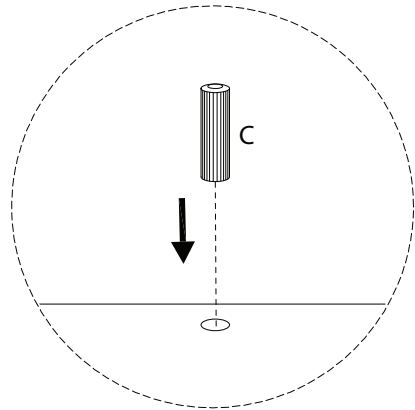
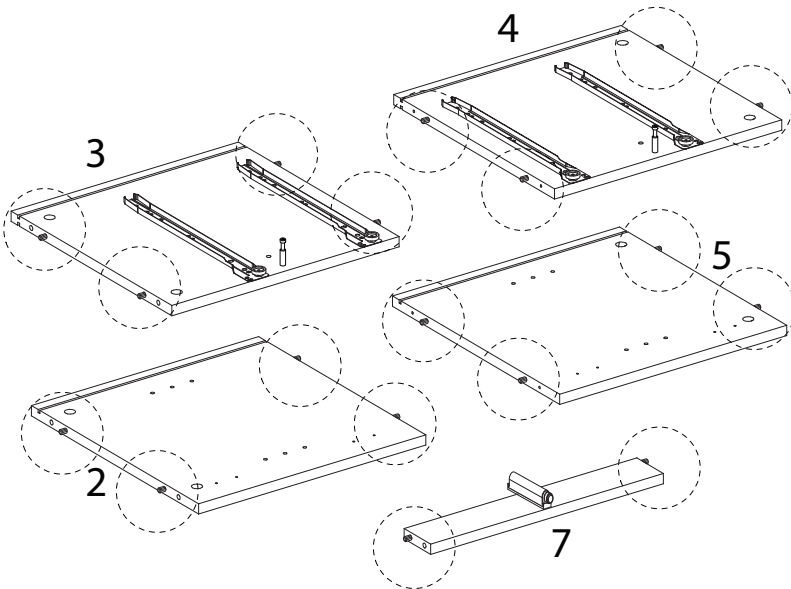
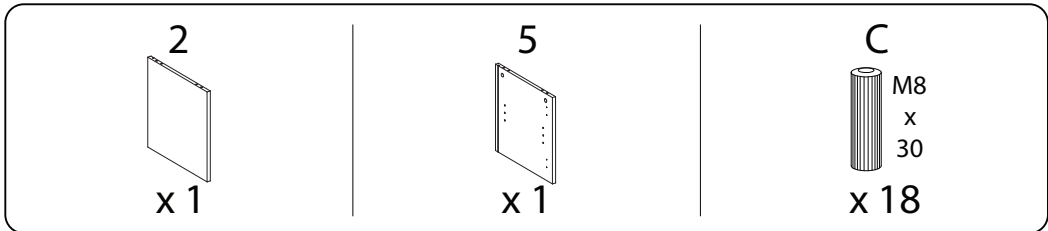
2



3



4

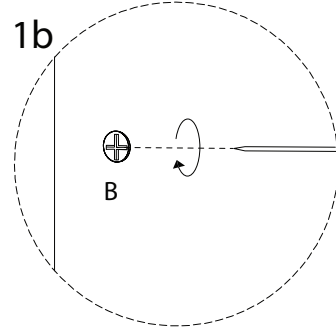
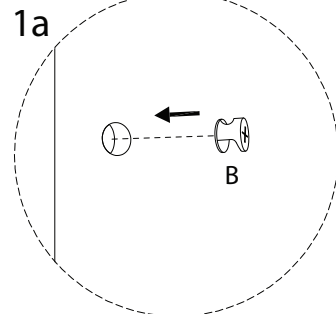
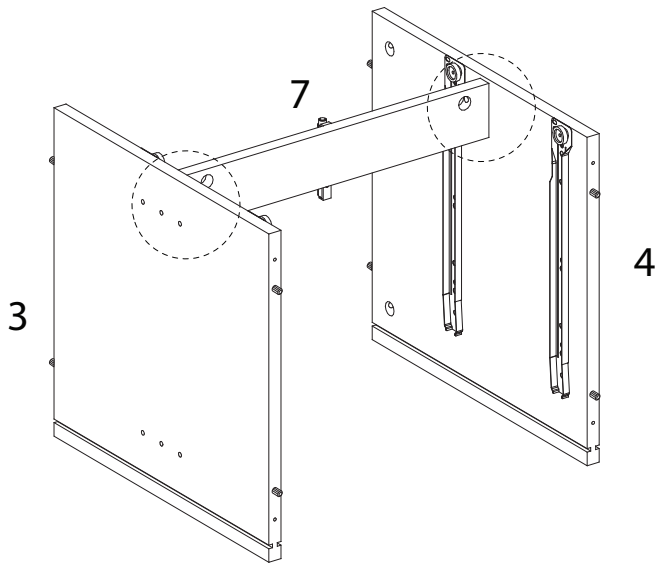


5

B



x 2

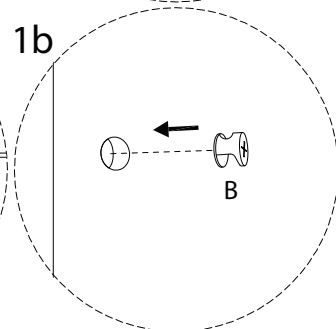
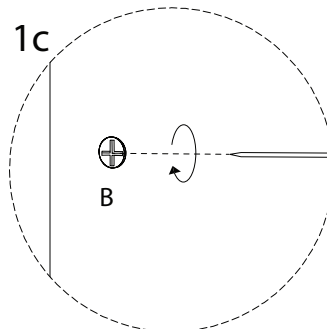
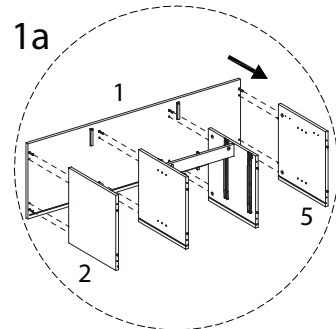
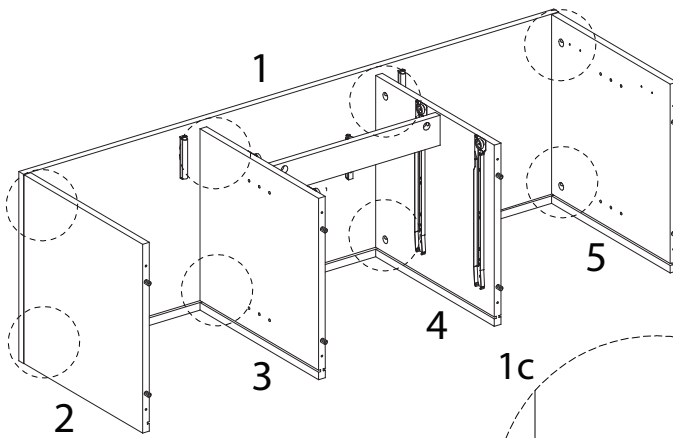


6

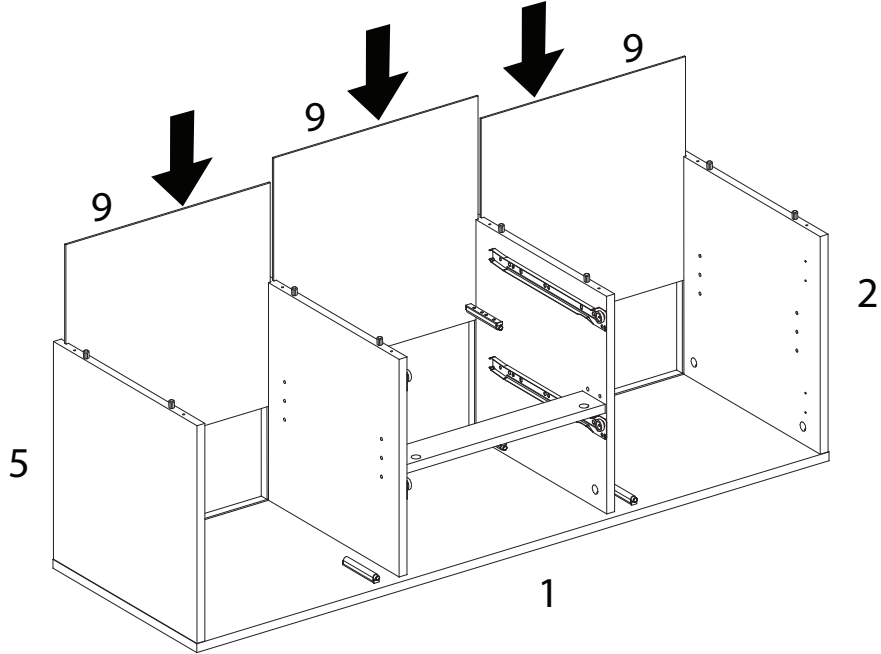
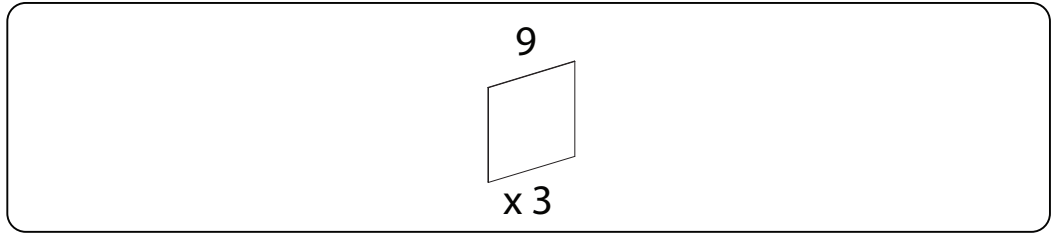
B



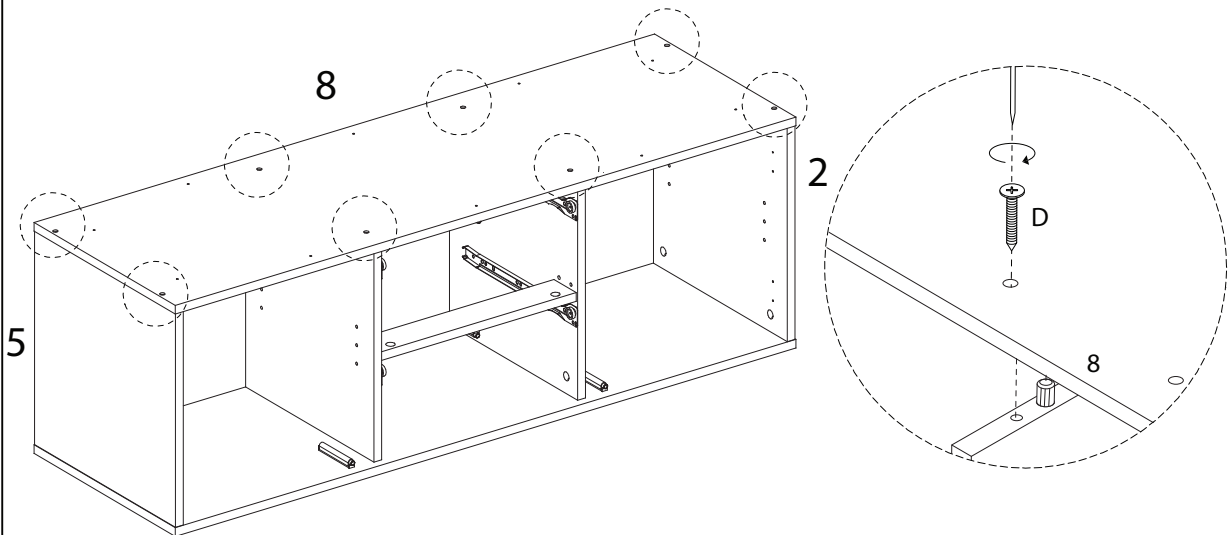
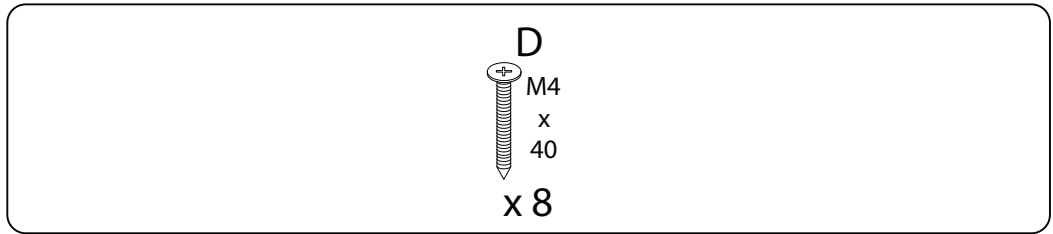
x 8



7

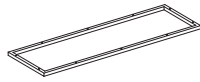


8



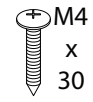
9

10

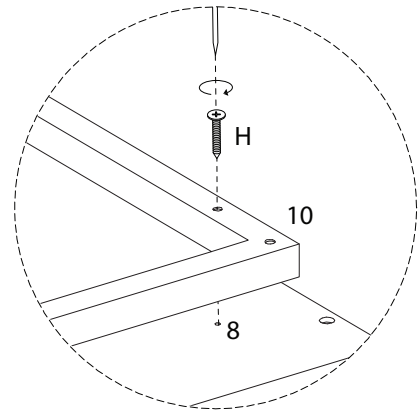
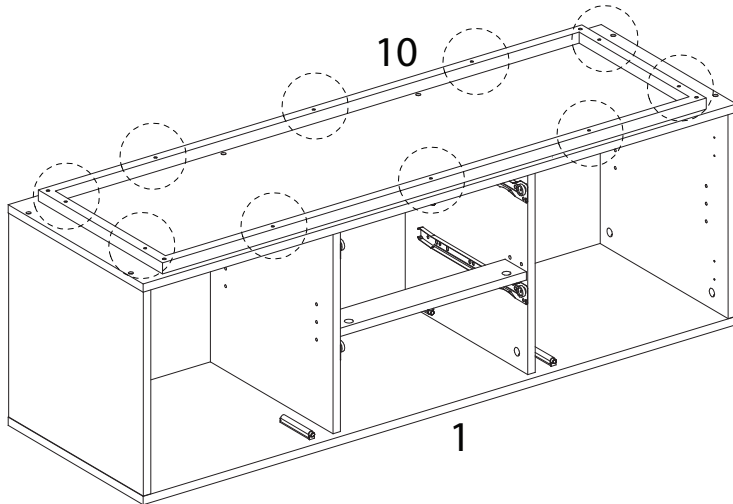


x 1

H



x 10

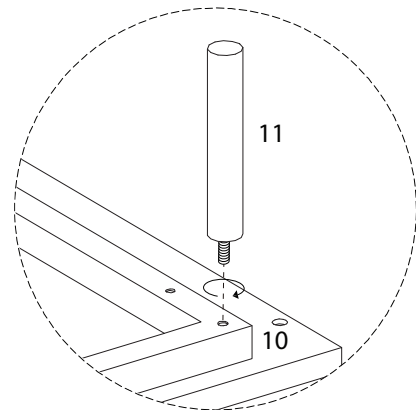
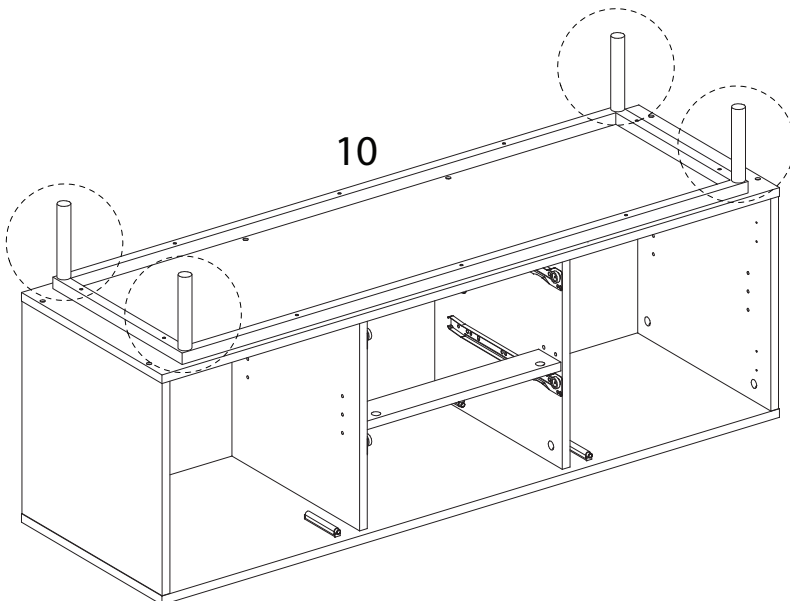


10

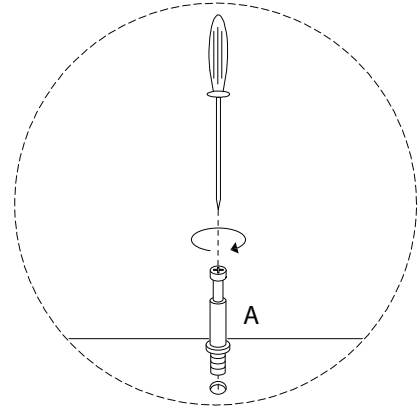
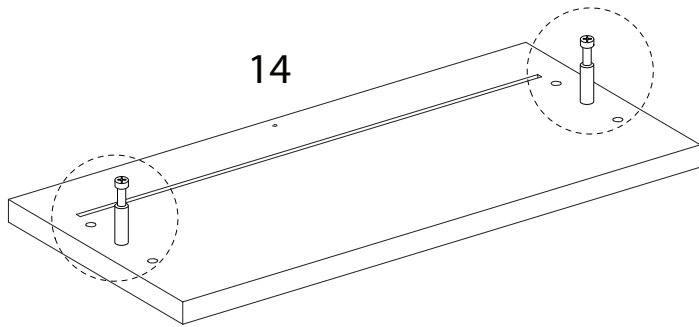
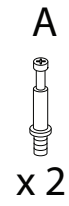
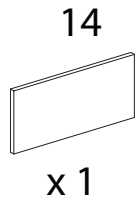
11



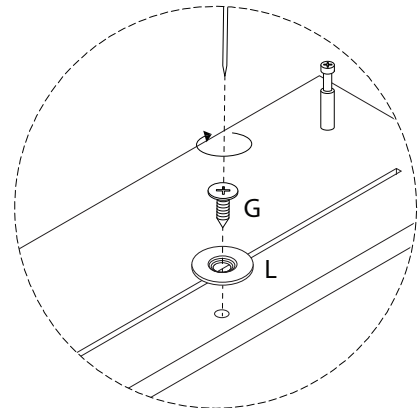
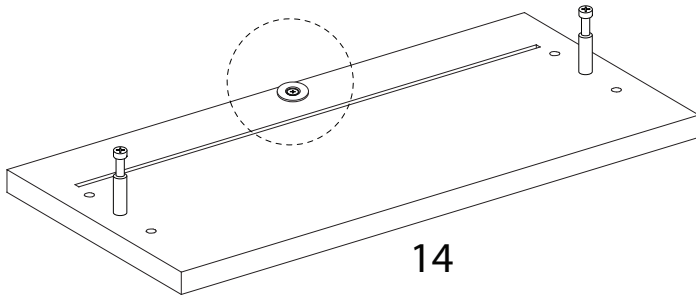
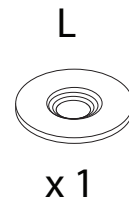
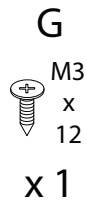
x 4



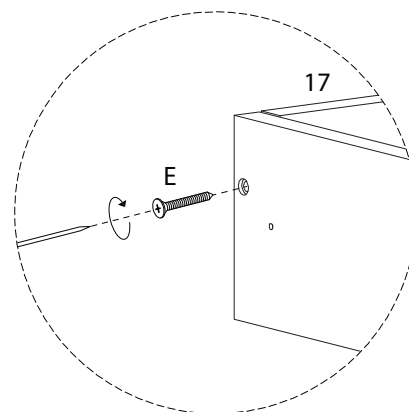
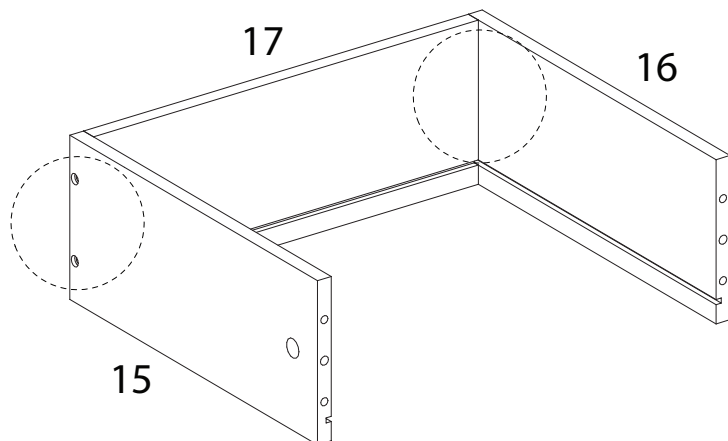
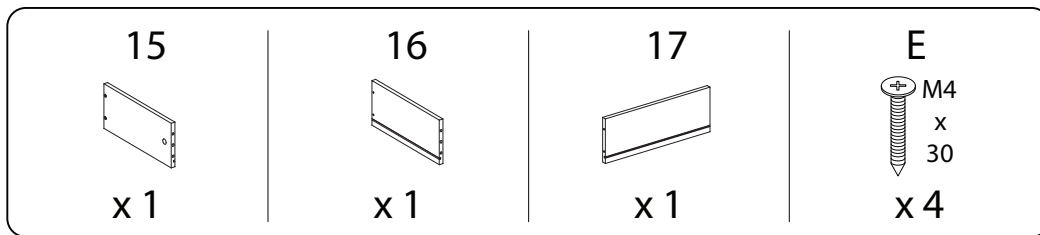
11 x 2



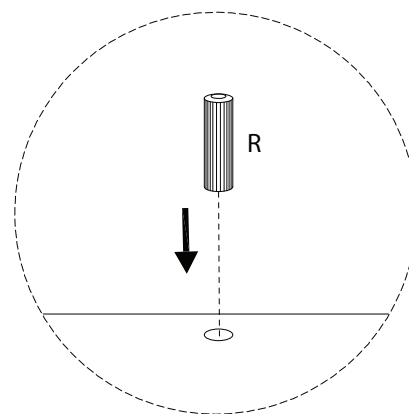
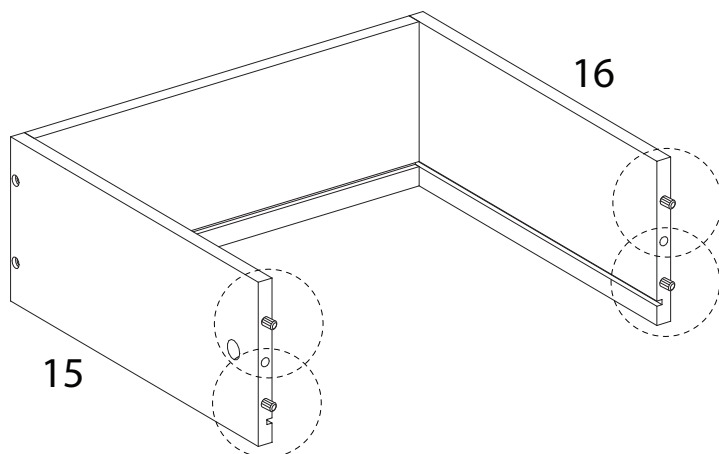
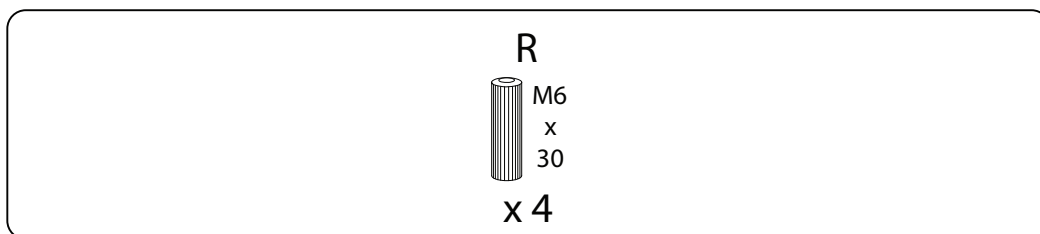
12 x 2



13 x 2

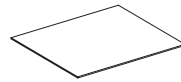


14 x 2

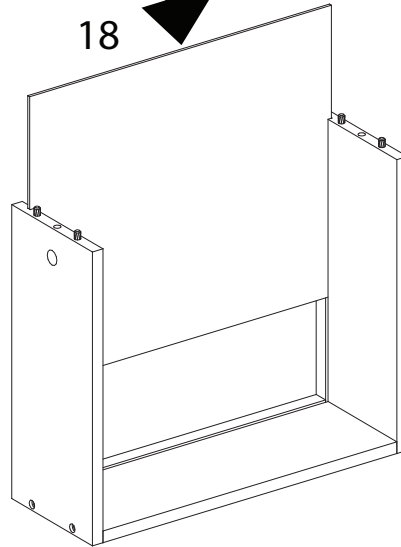


15 x 2

18



x 1

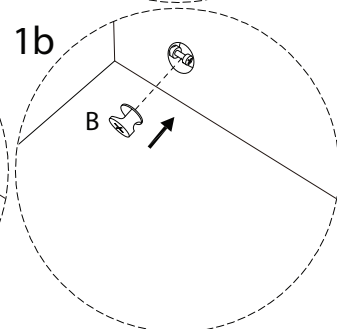
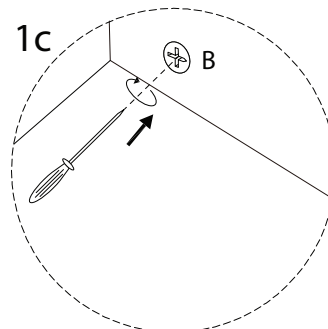
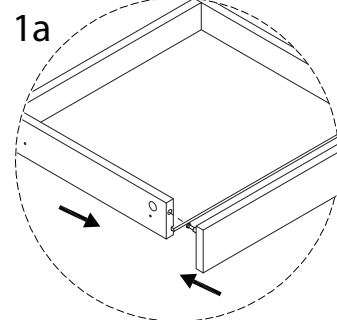
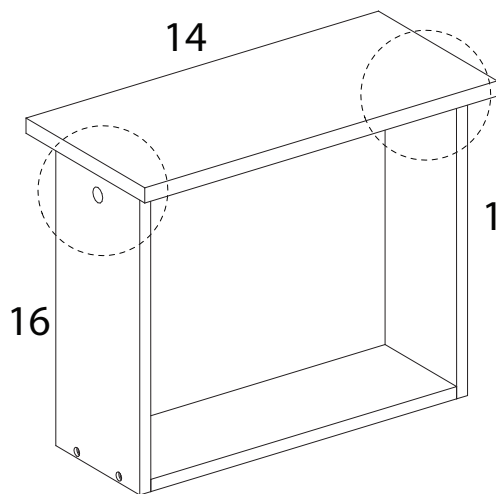


16 x 2

B



x 2

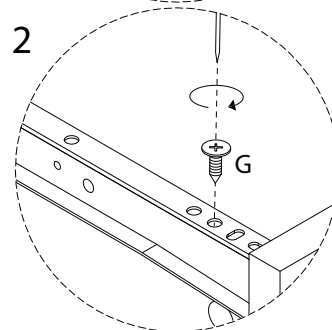
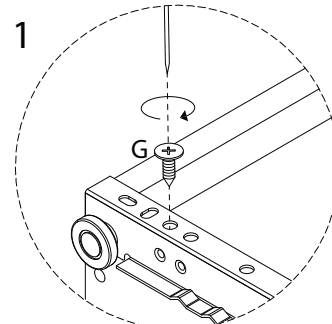
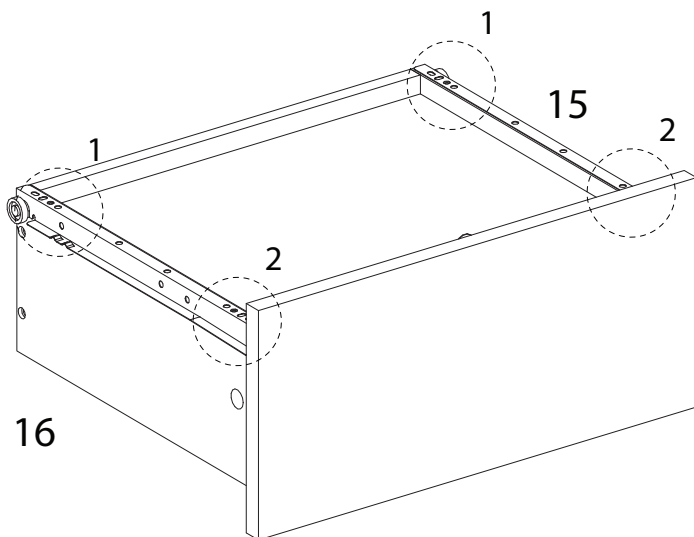


17 x 2

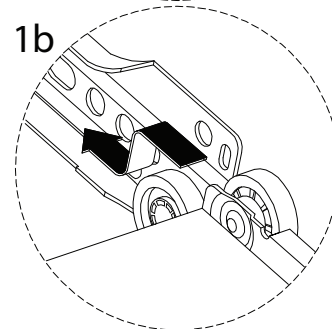
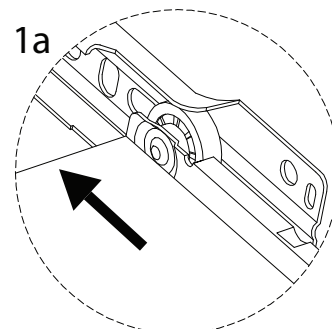
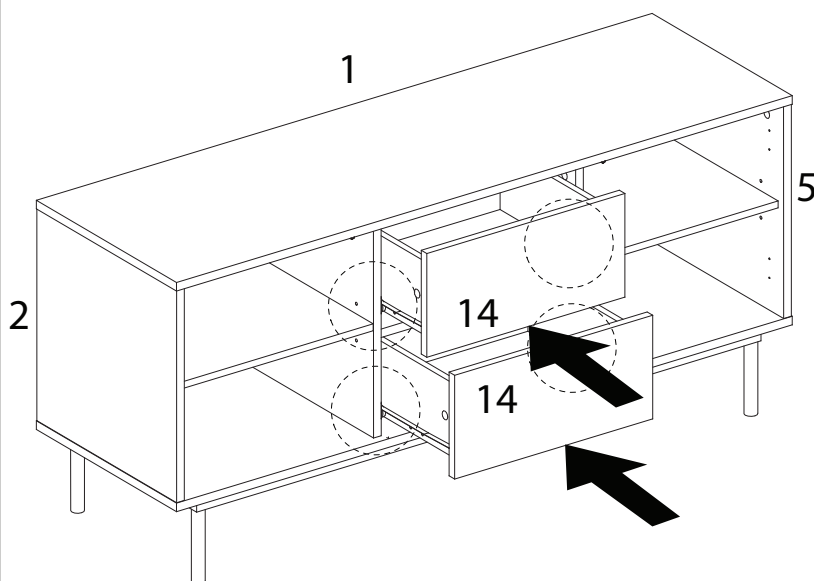
G
M3
x
12
x 4

O
x 1

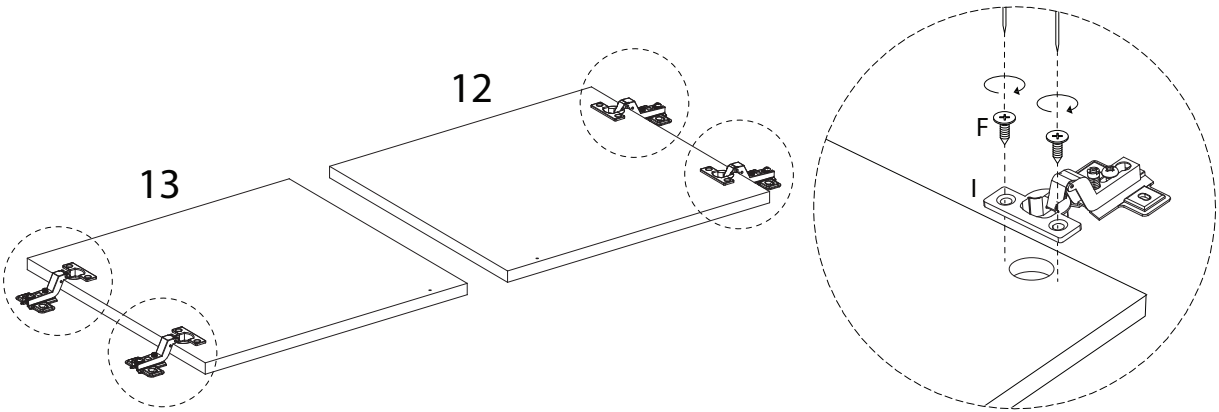
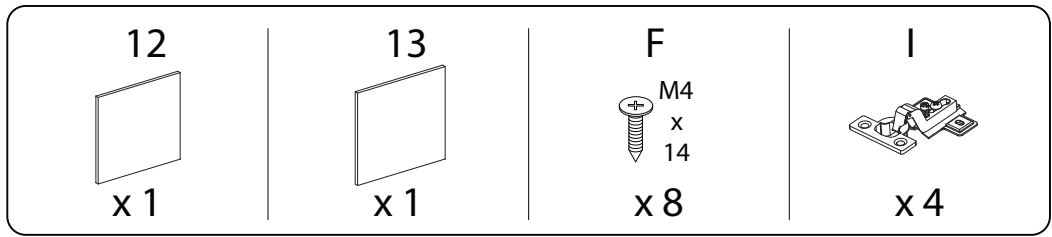
P
x 1



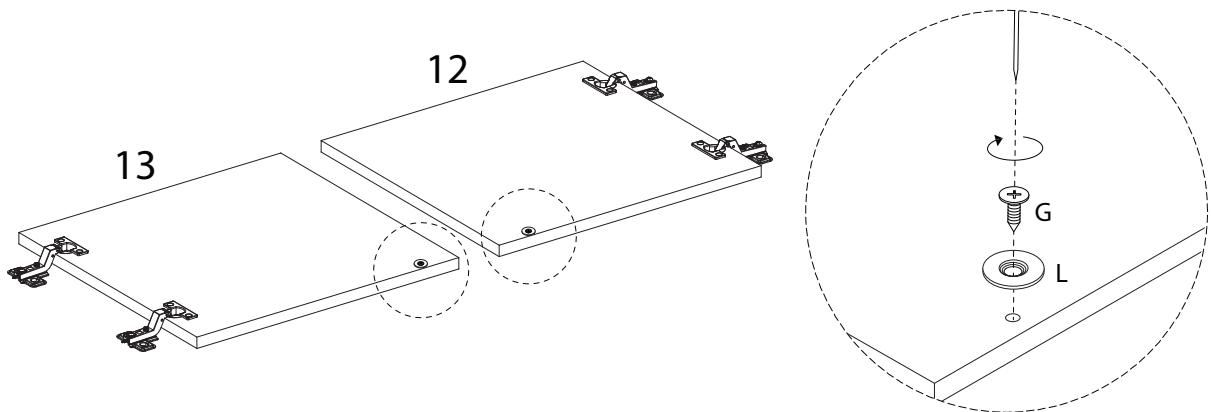
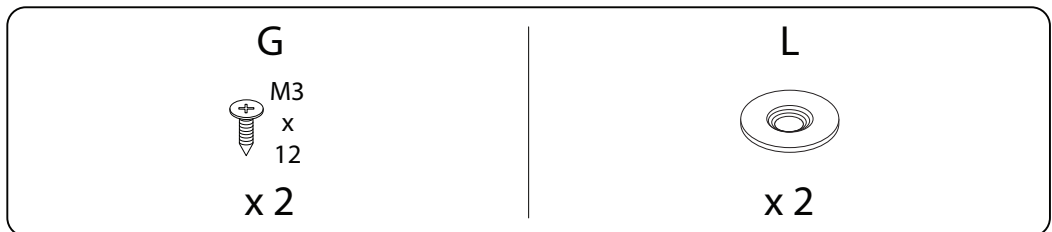
18



19

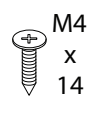


20

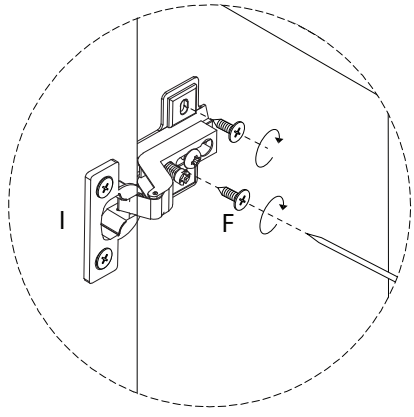
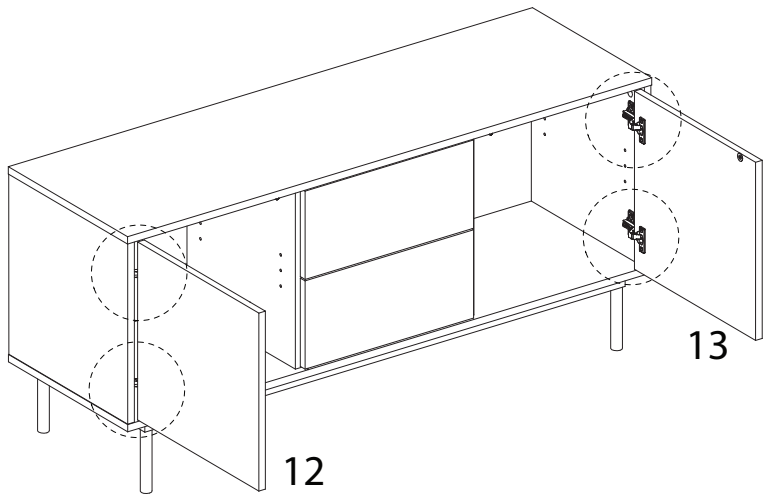


21

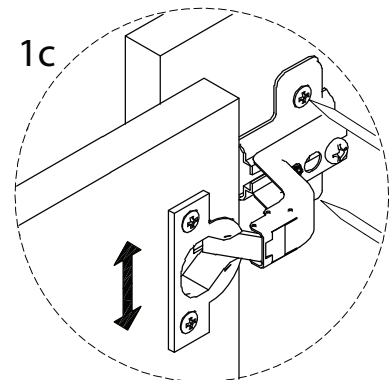
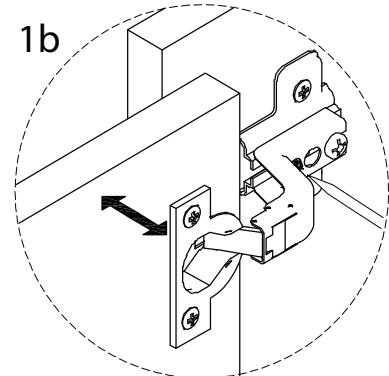
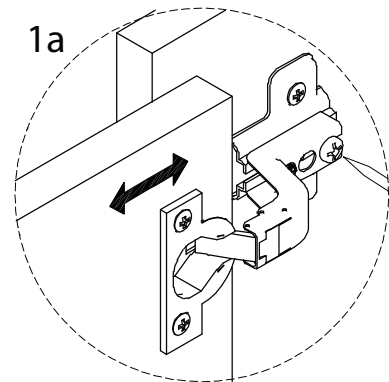
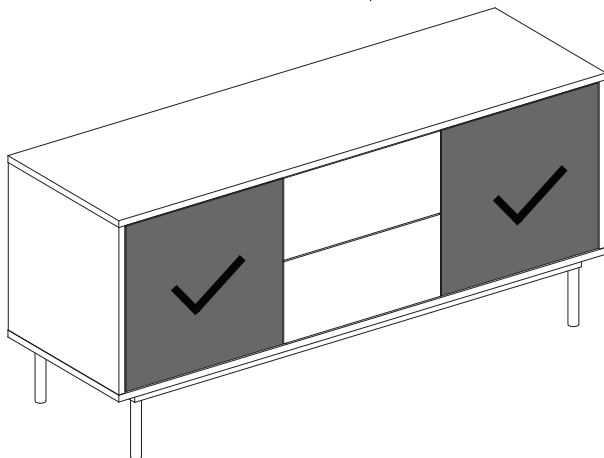
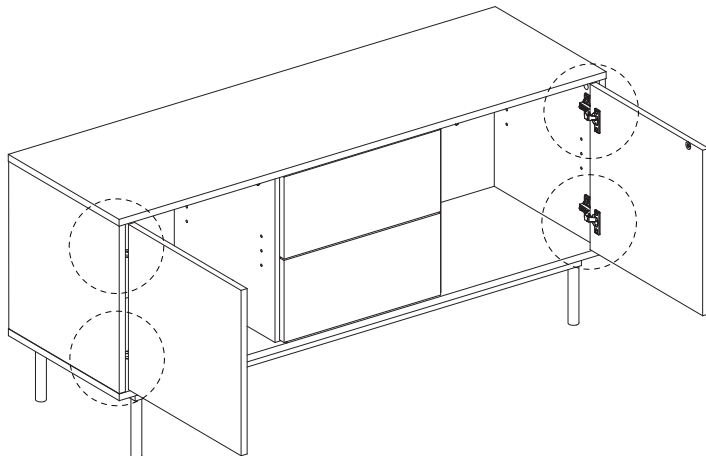
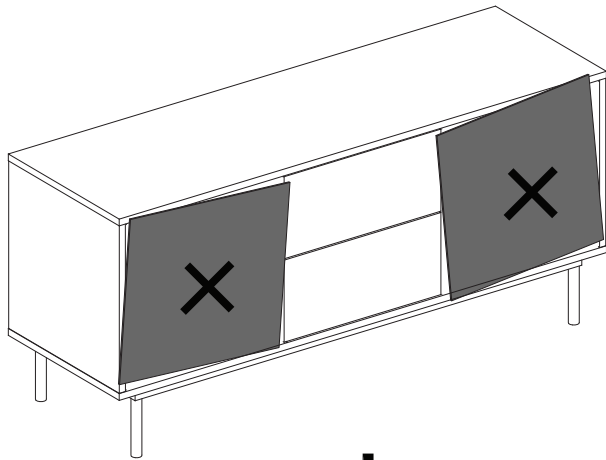
F



x 8



22

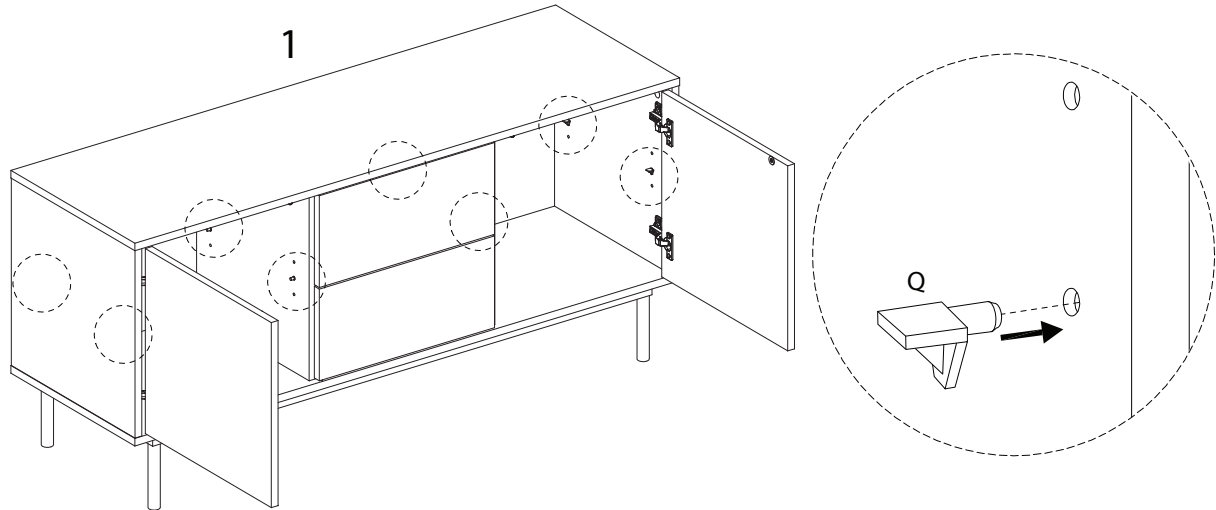


23

Q

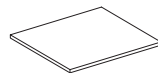


x 8



24

6



x 2

