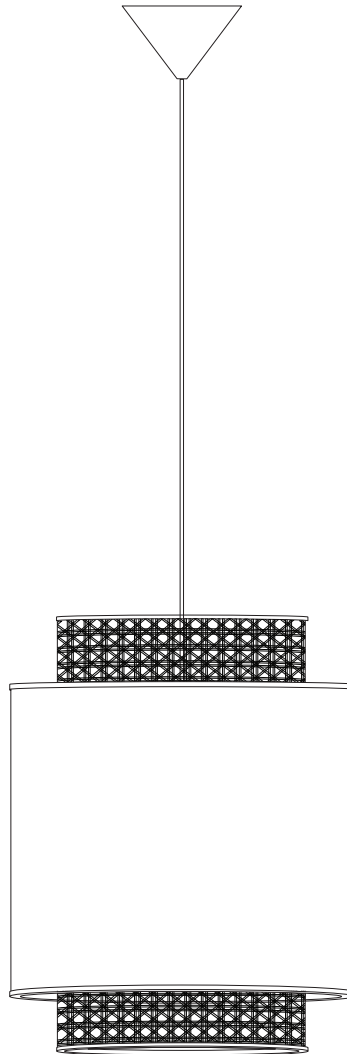
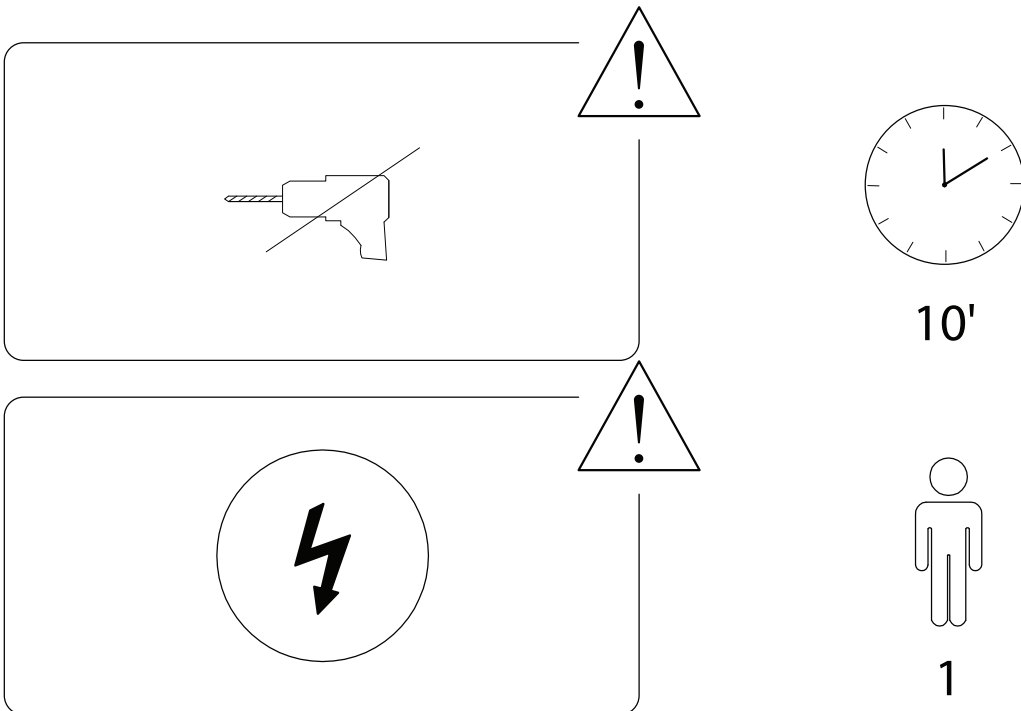
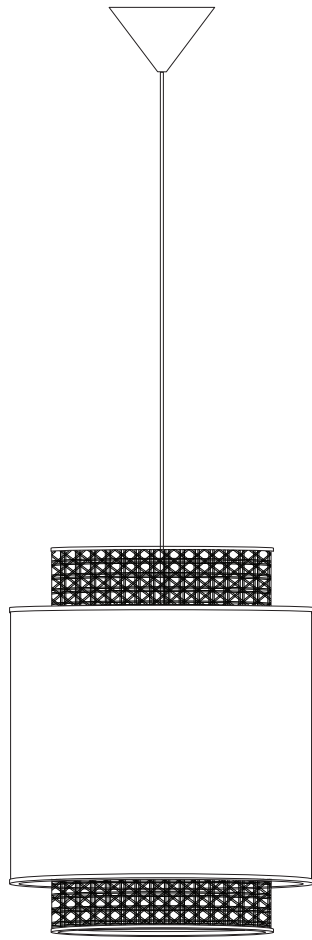
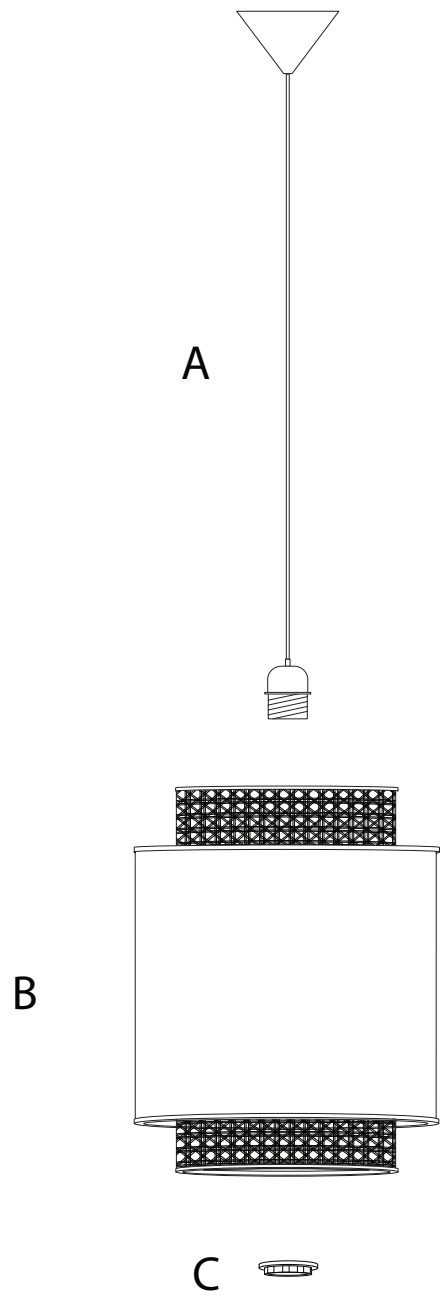


BOERI

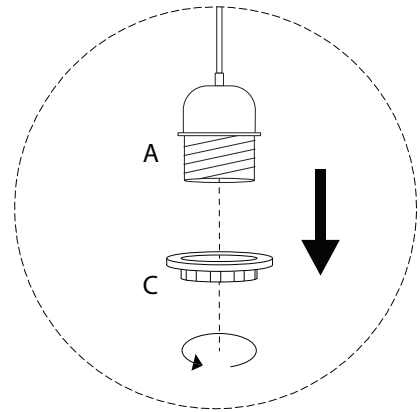
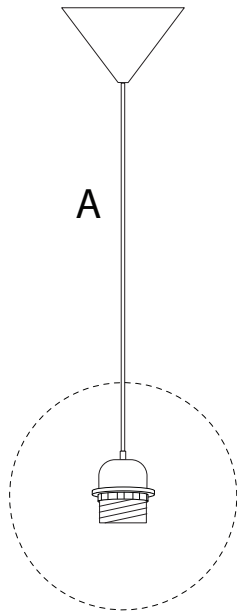
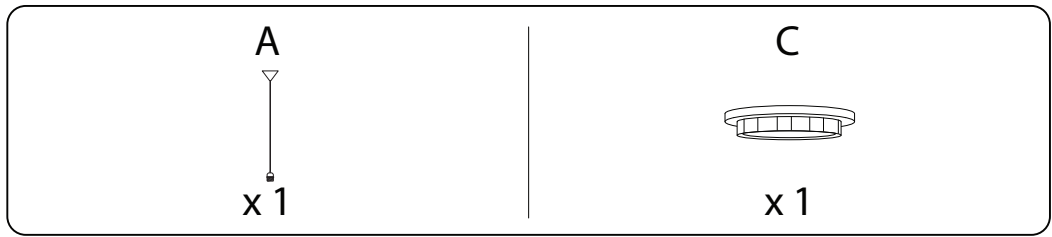




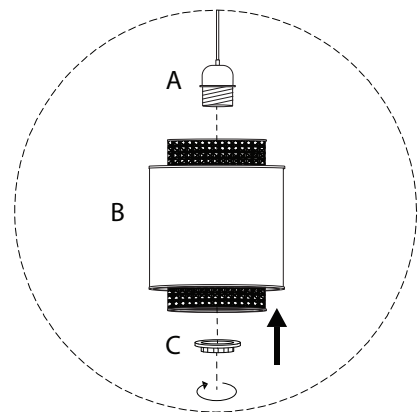
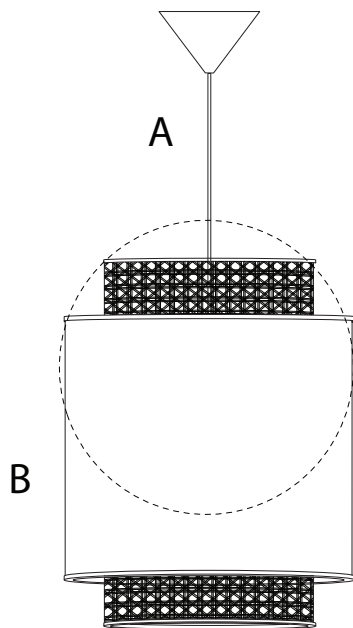
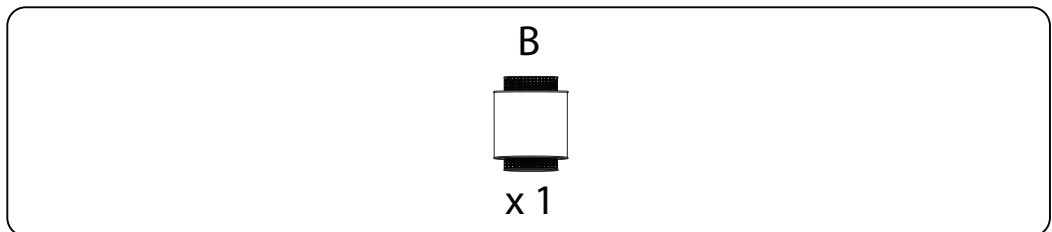


- | | | | | |
|---------------------|---------------------|---------------------|---------------------|---------------------|
| <p>A</p> <p>x 1</p> | <p>B</p> <p>x 1</p> | <p>C</p> <p>x 1</p> | <p>D</p> <p>x 1</p> | <p>E</p> <p>x 1</p> |
|---------------------|---------------------|---------------------|---------------------|---------------------|

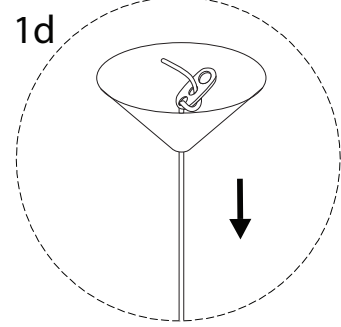
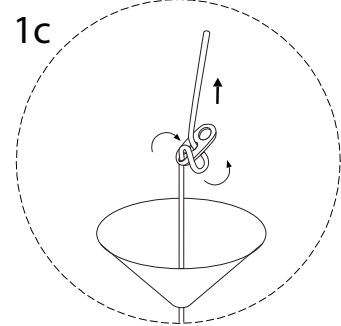
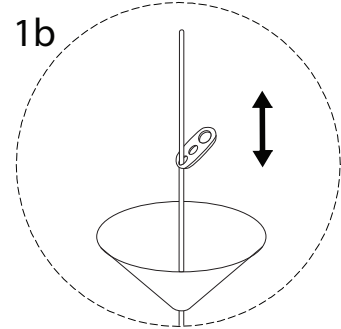
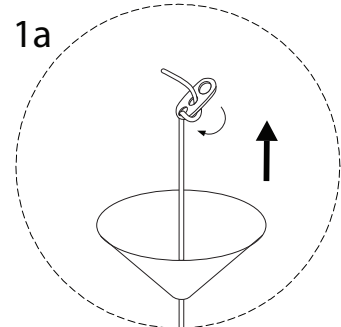
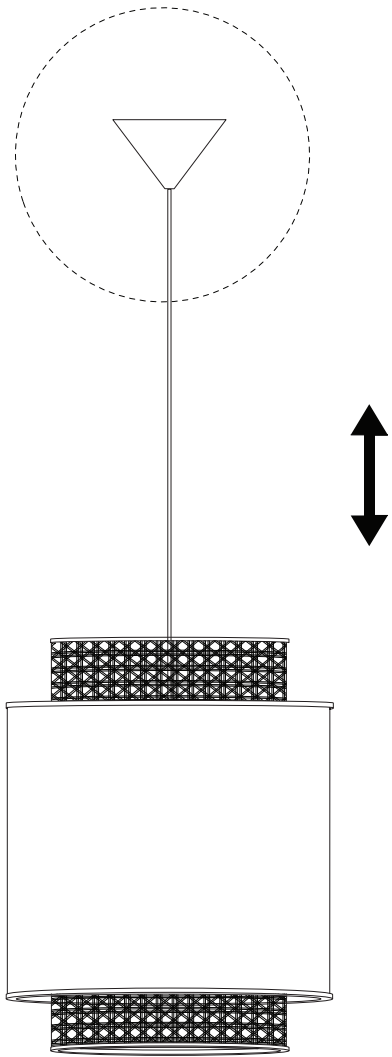
1



2

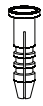


!



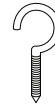
3

D

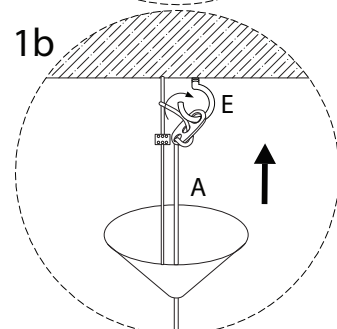
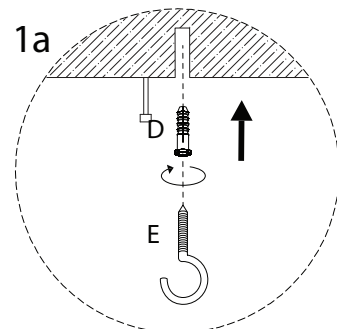
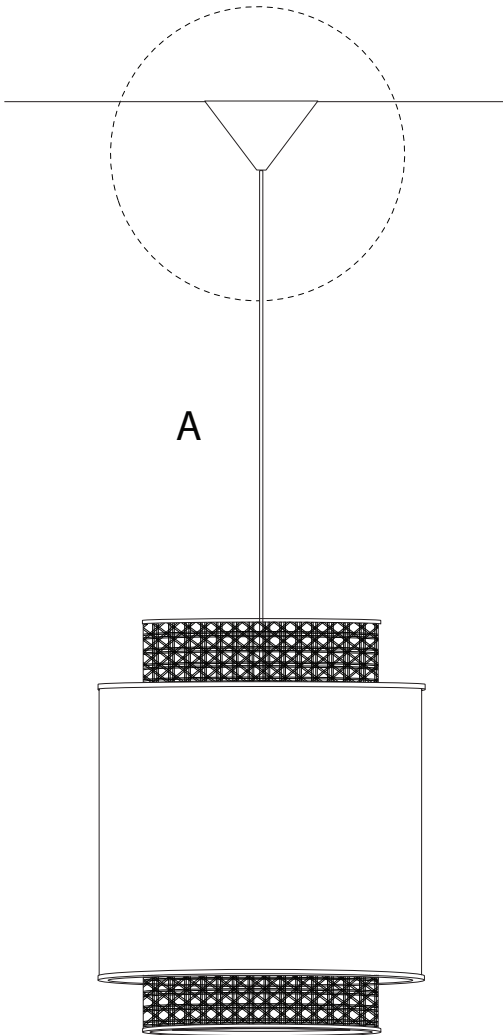


x 1

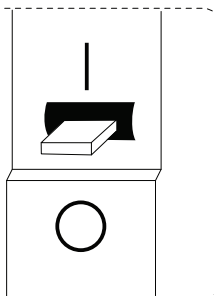
E



x 1



OFF



4

