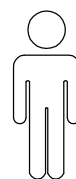
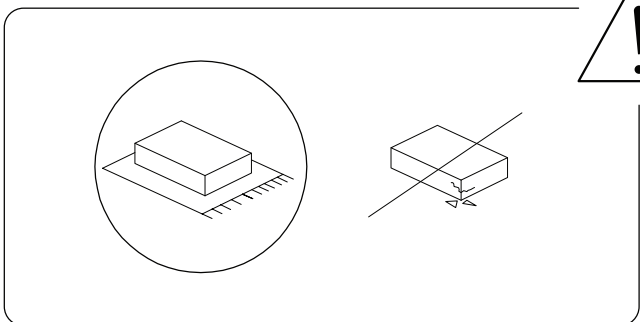
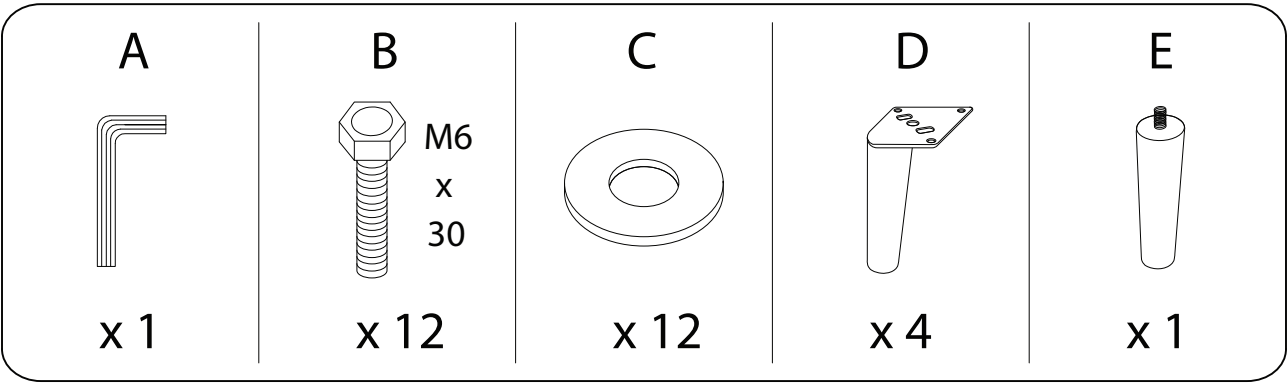
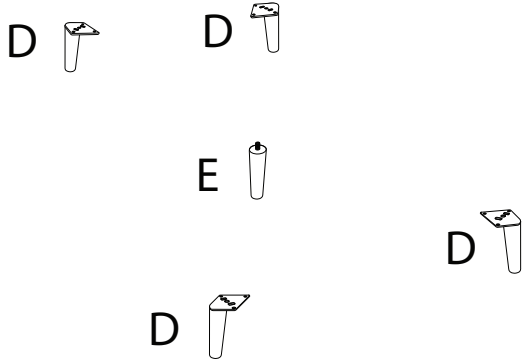
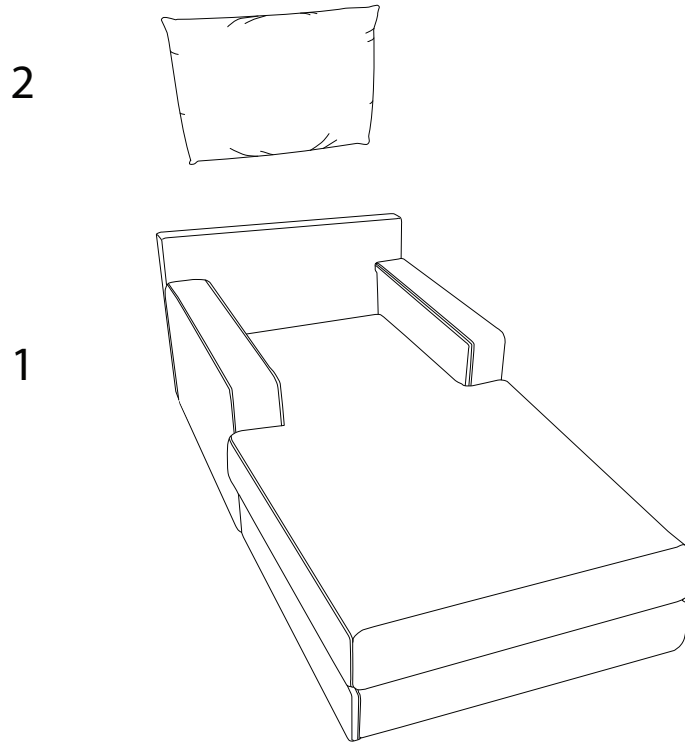
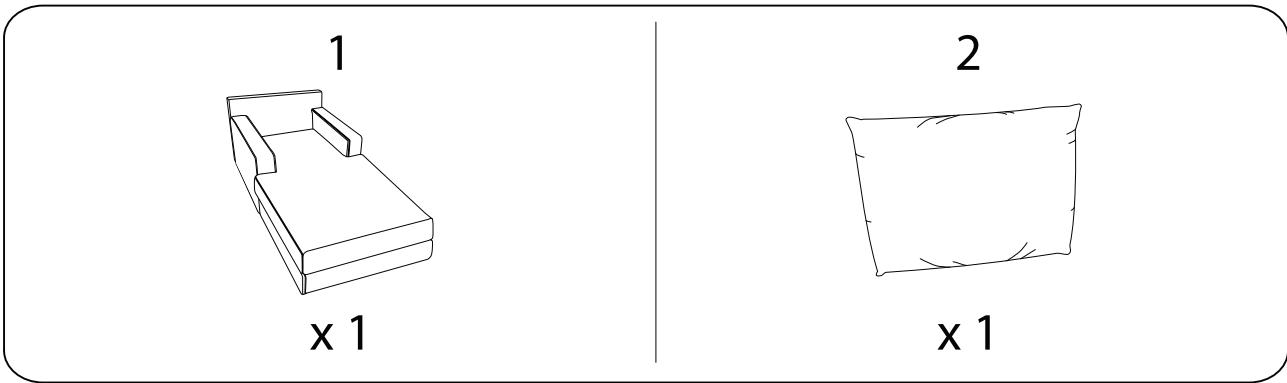


15'

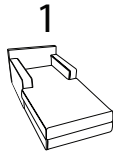


2

1/3

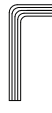


1



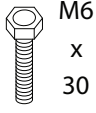
x 1

A



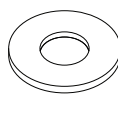
x 1

B



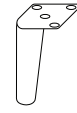
x 12

C



x 12

D

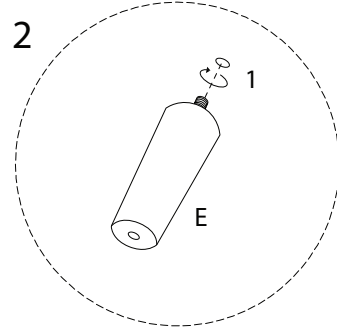
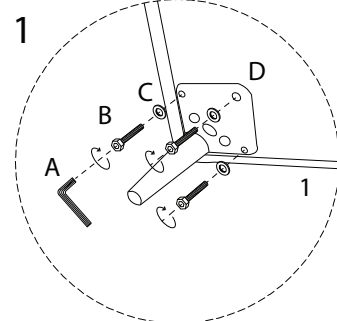
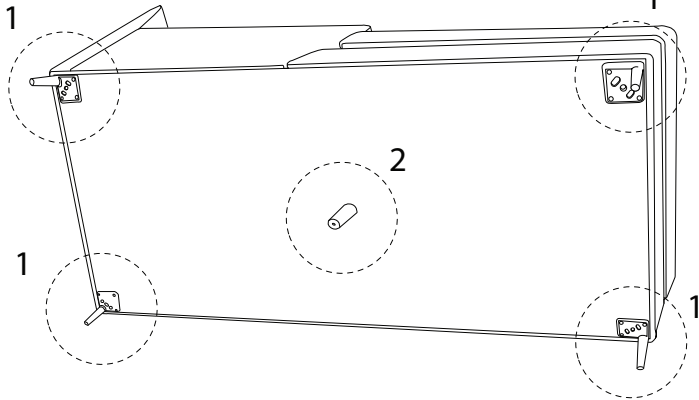


x 4

E

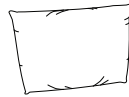


x 1



2

2



x 1

