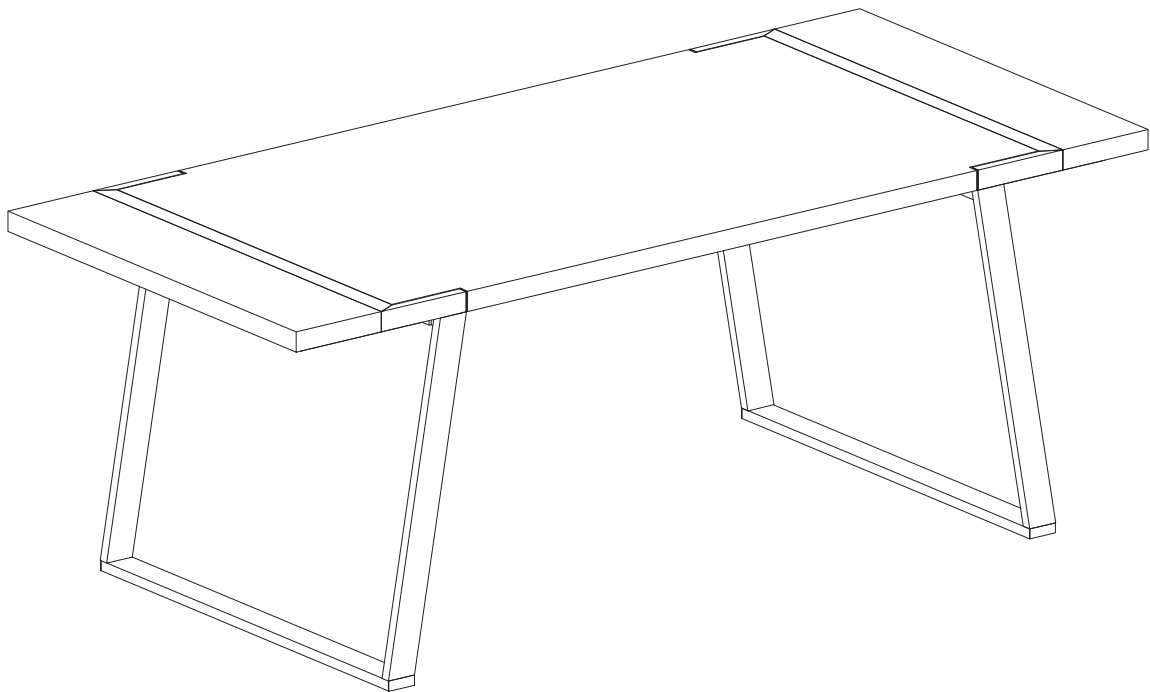
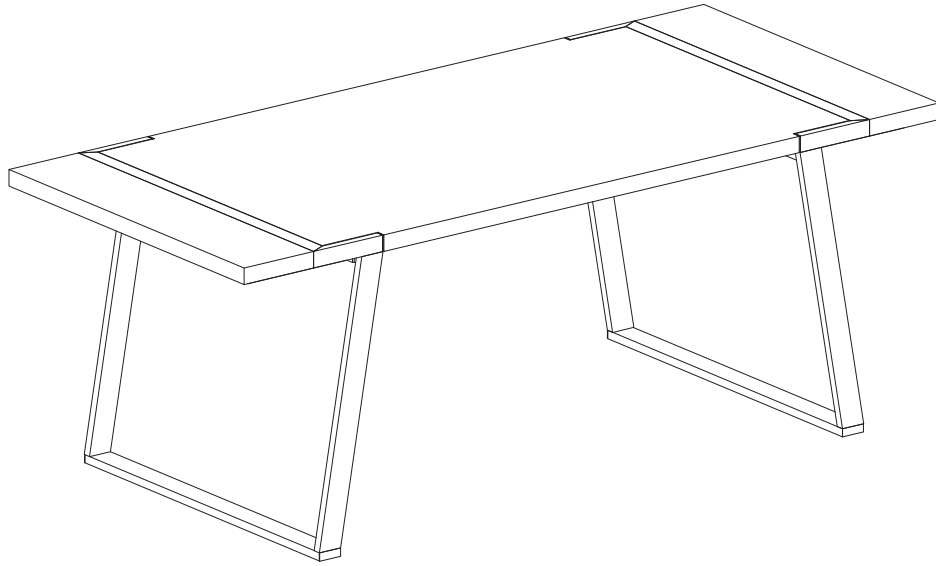


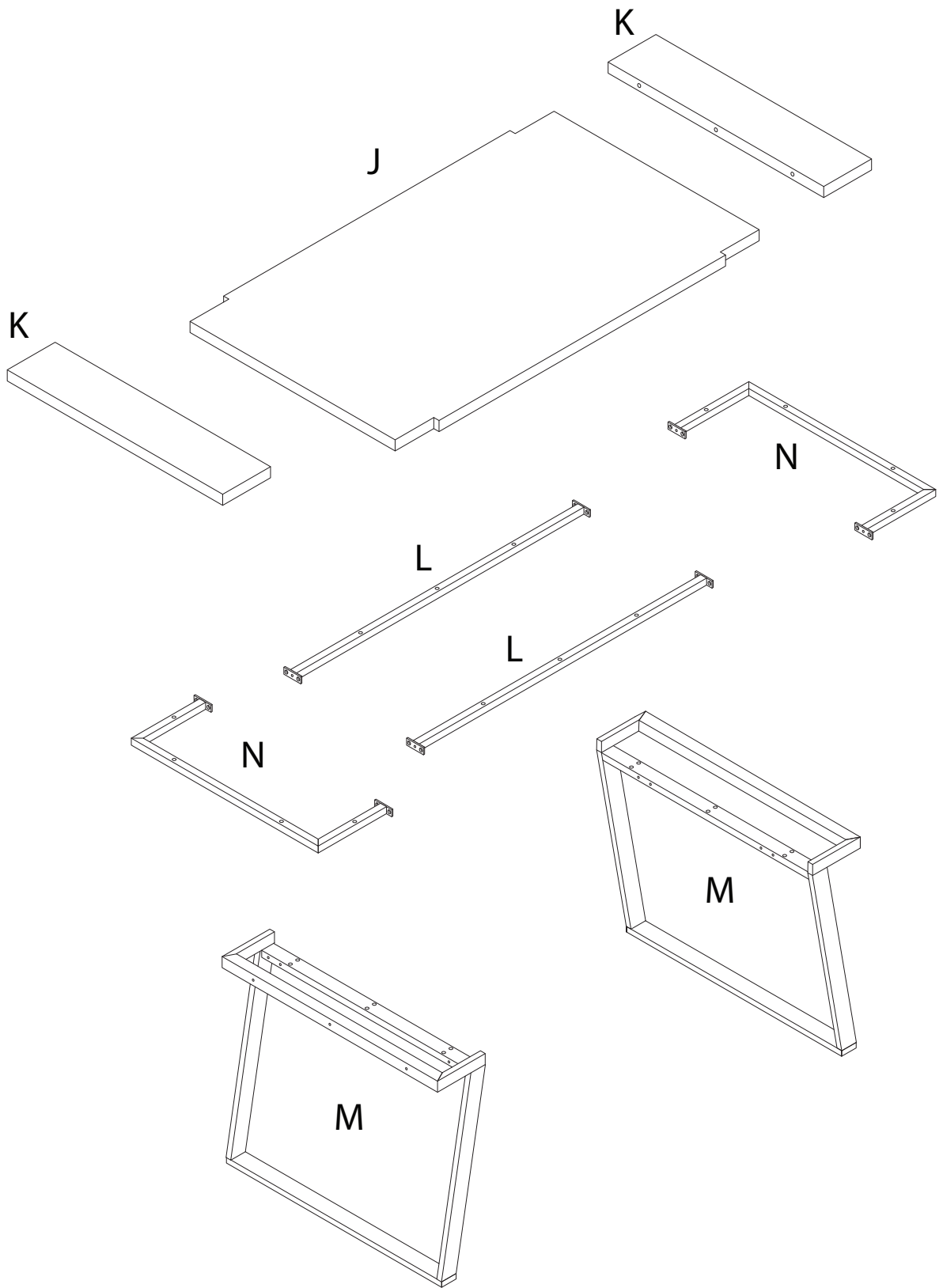
MARTYNIKA



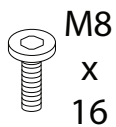


Assembly instructions for step 1/8:

- Tools:** An icon in a circle shows an Allen key and a wrench. A power drill icon is crossed out with a diagonal line, indicating it should not be used.
- Warning:** A triangle with an exclamation mark indicates a warning.
- Time:** A clock icon indicates an estimated assembly time of 20 minutes.
- Personnel:** An icon of a person indicates that 2 people are required for assembly.

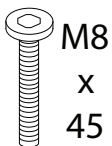


A



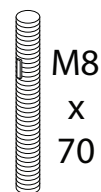
x 16

B



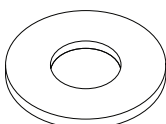
x 26

C



x 6

D



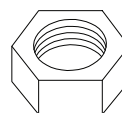
x 48

E



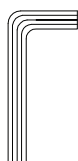
x 6

F



x 6

G



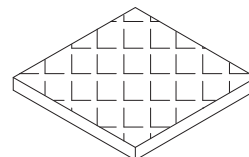
x 1

H



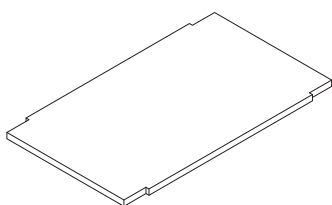
x 1

I



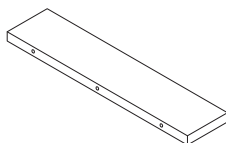
x 4

J



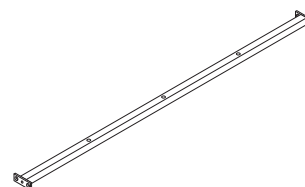
x 1

K



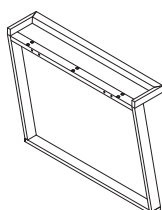
x 2

L



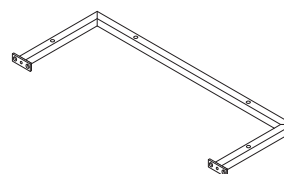
x 2

M



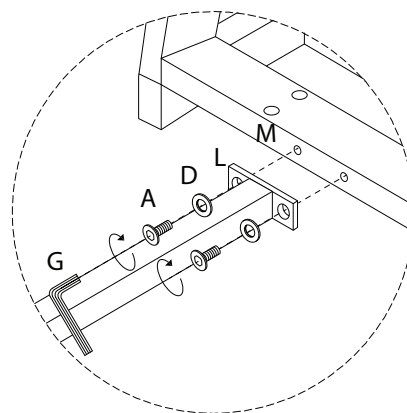
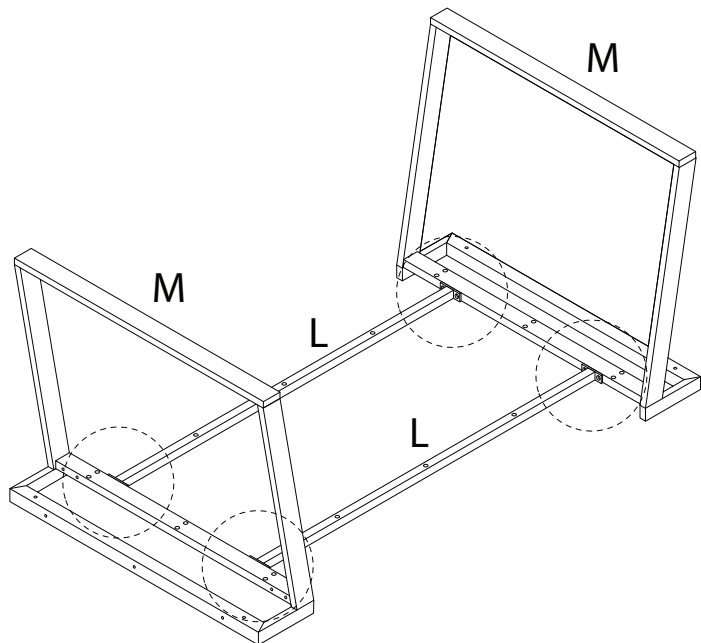
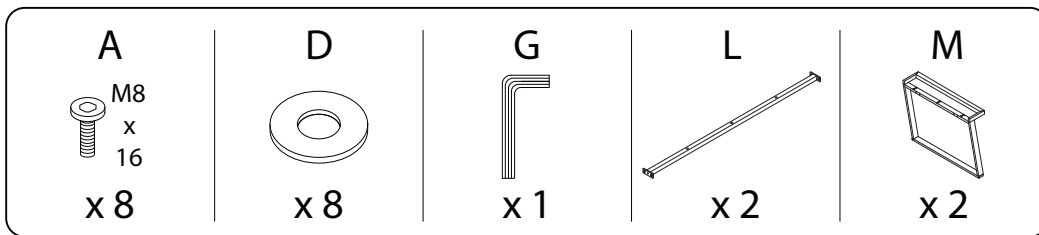
x 2

N

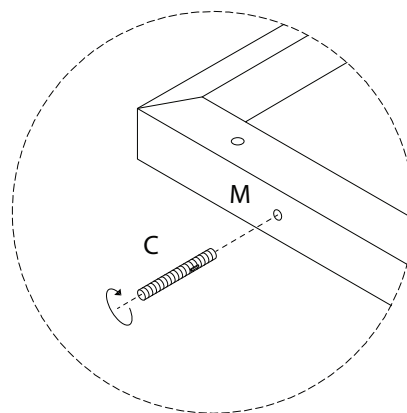
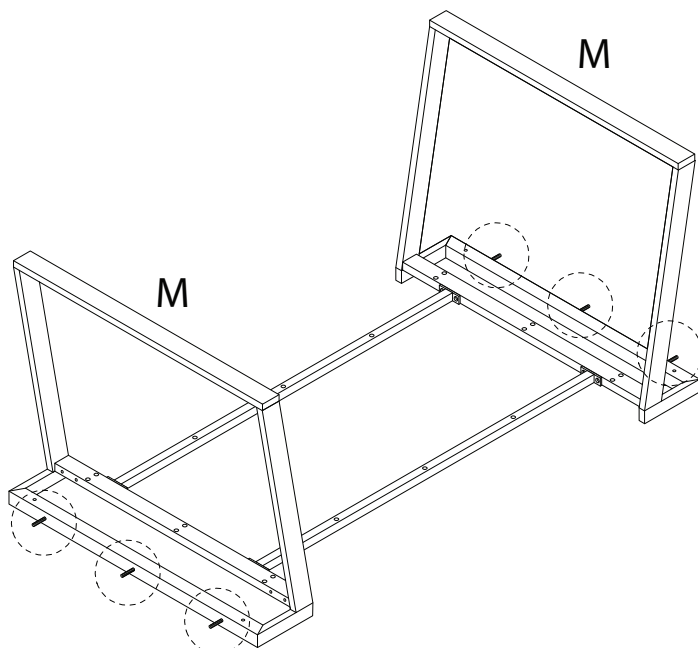
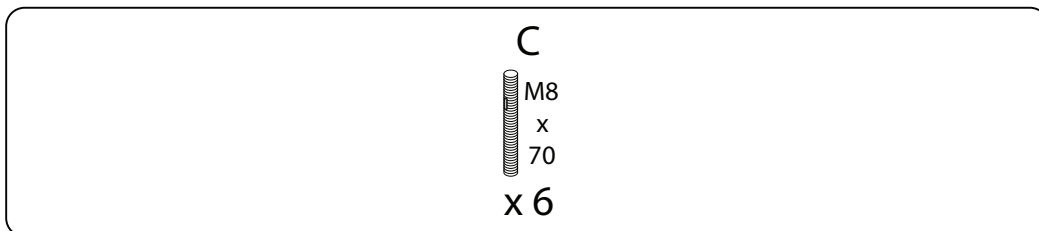


x 2

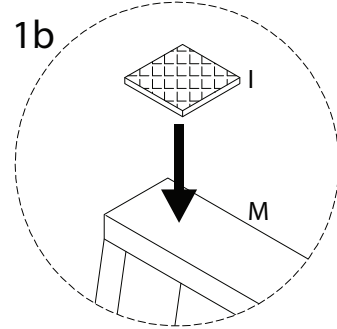
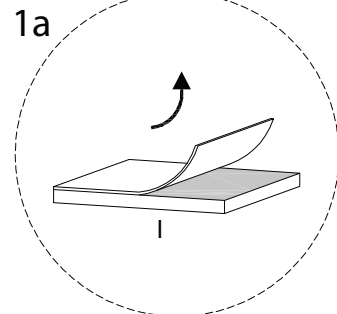
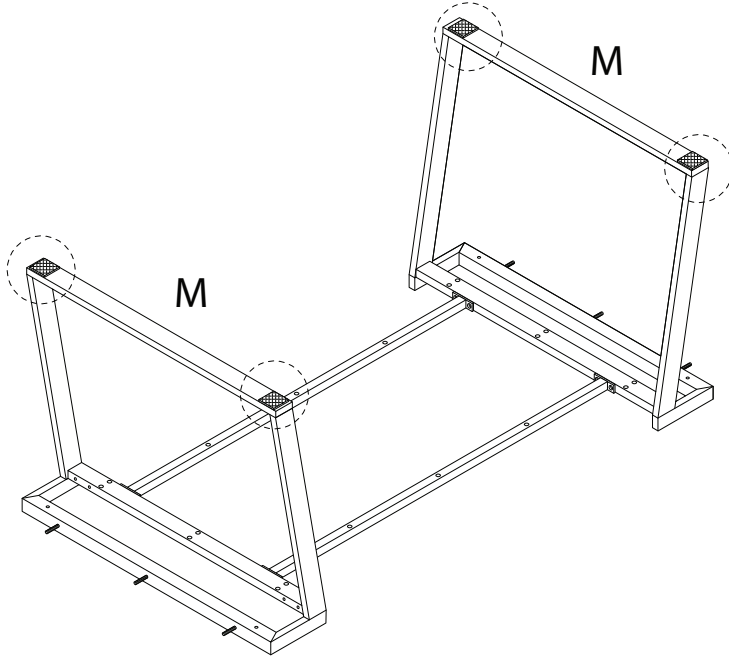
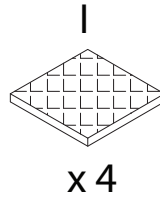
1



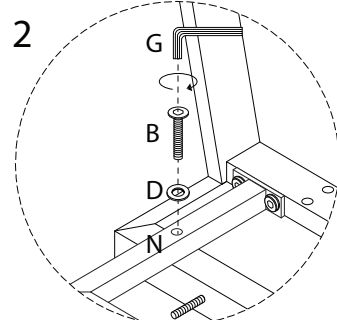
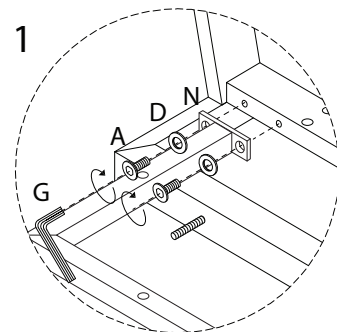
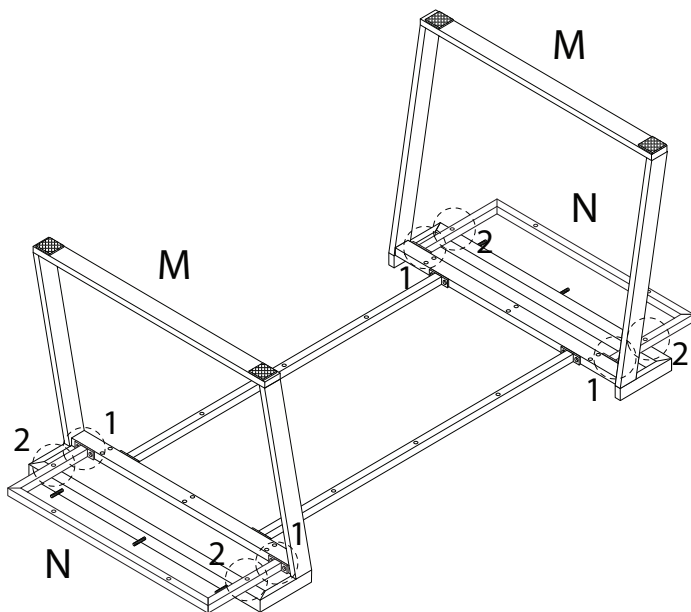
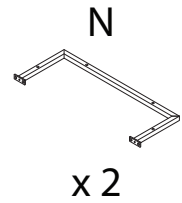
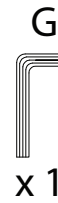
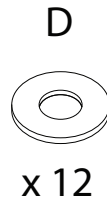
2



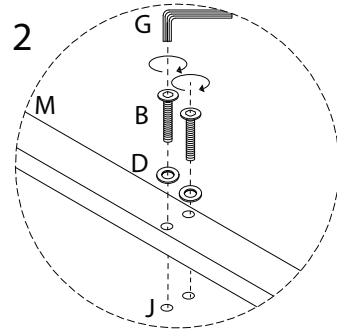
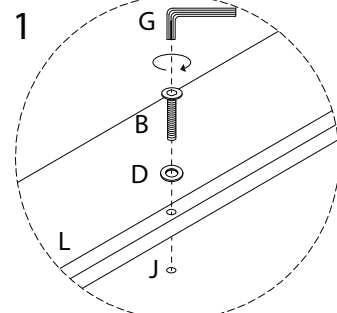
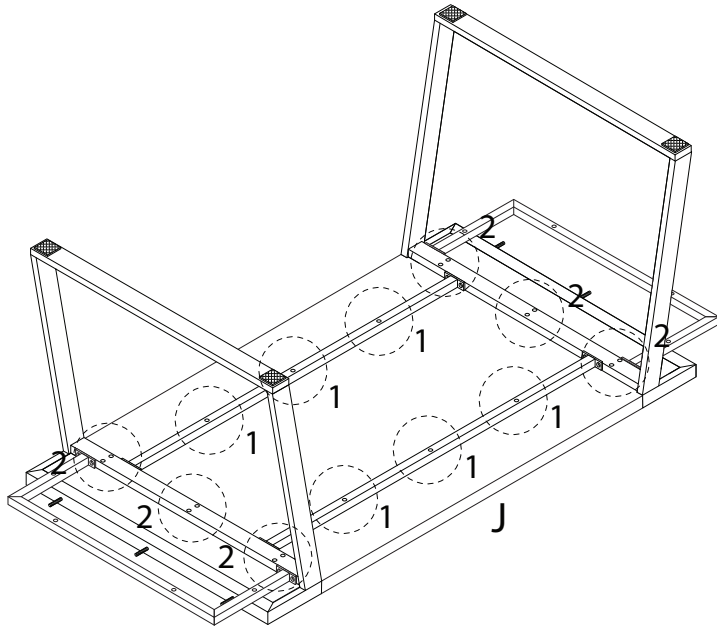
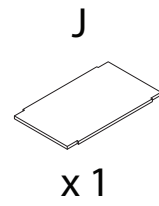
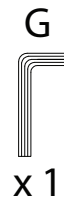
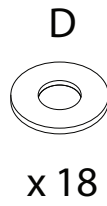
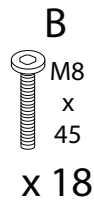
3



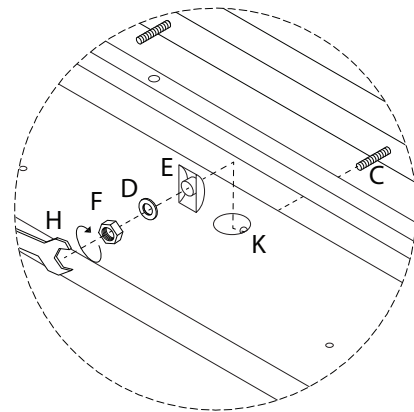
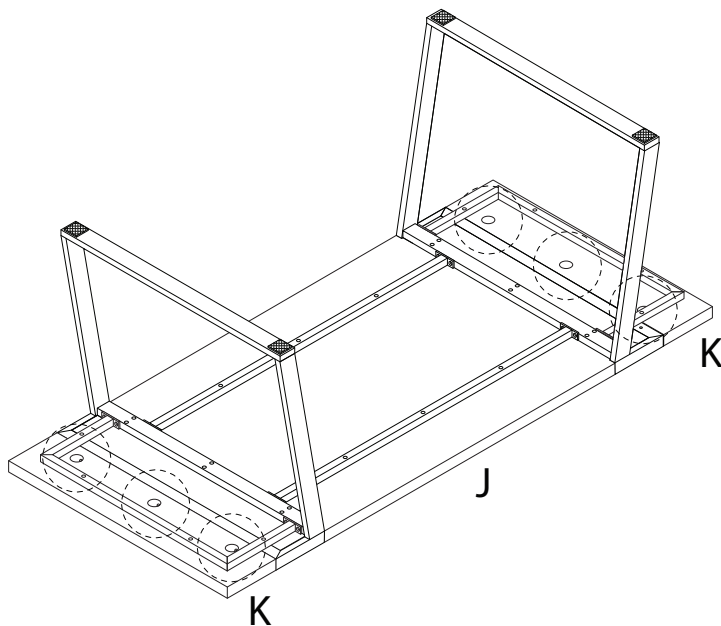
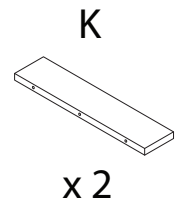
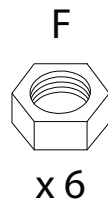
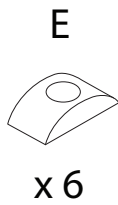
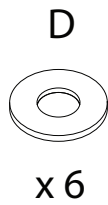
4



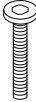
5

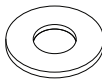


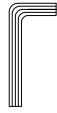
6

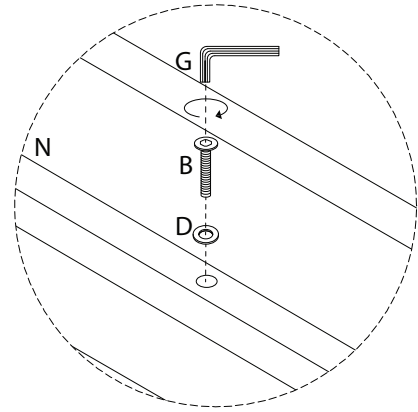
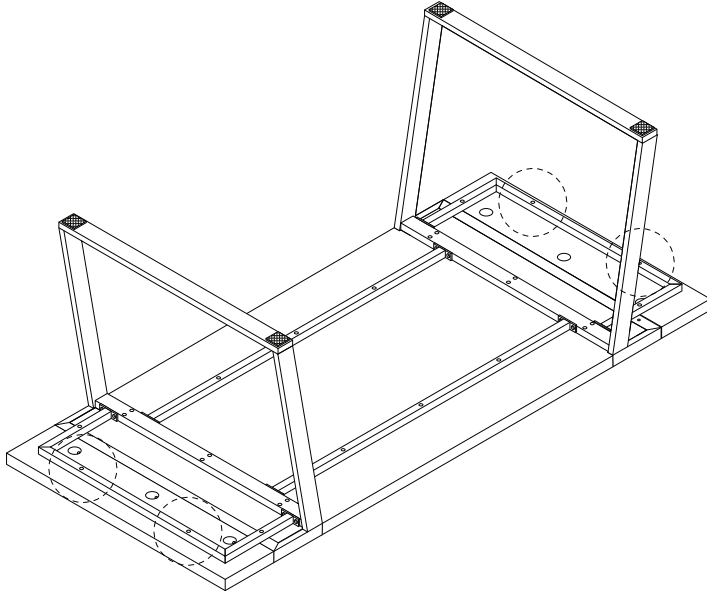


7

B

M8
x
45
x 4

D

x 4

G

x 1



!

