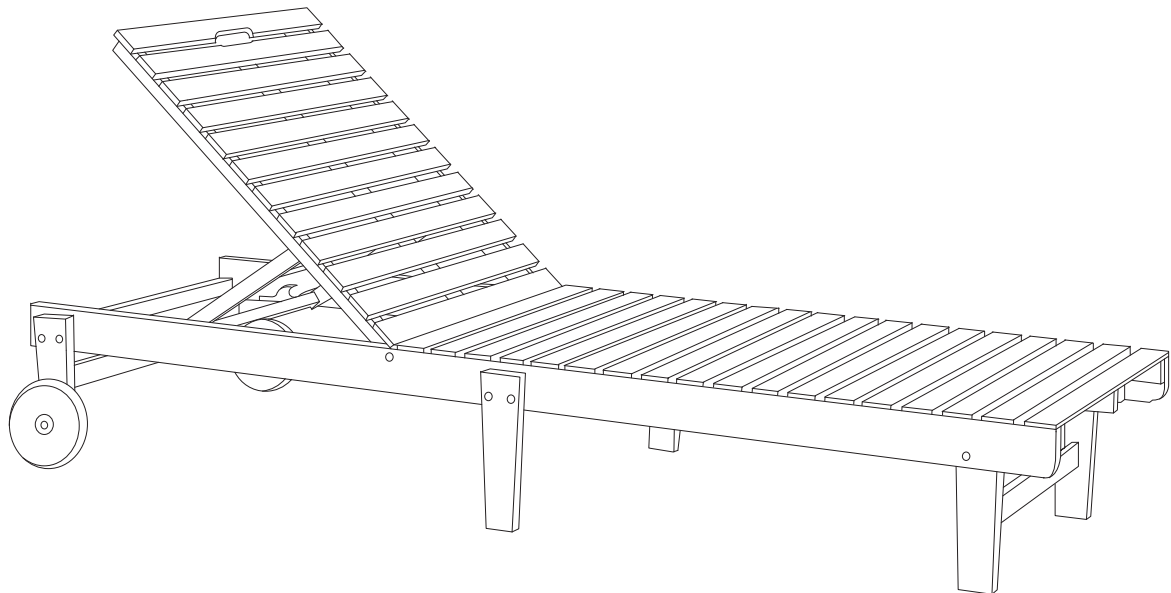
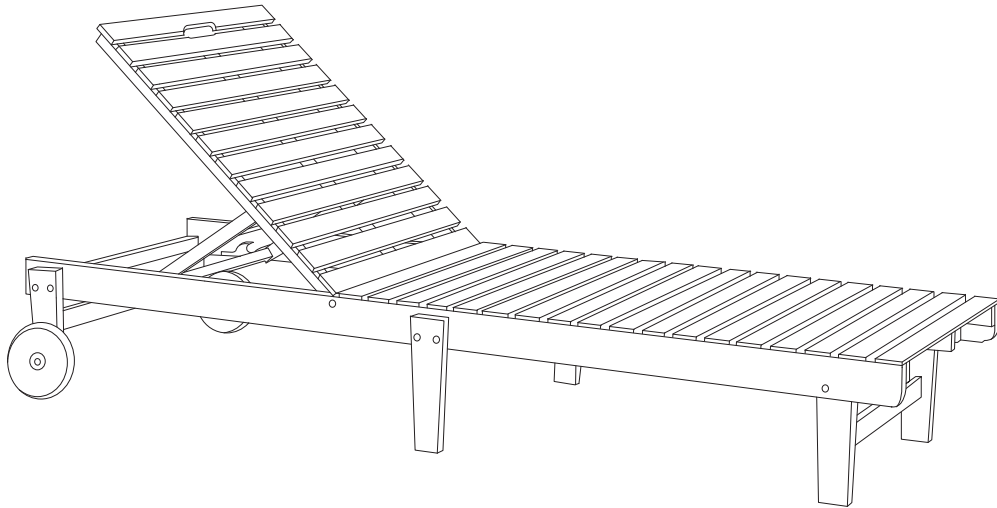
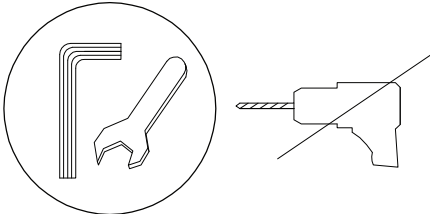
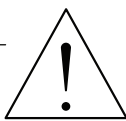
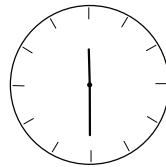
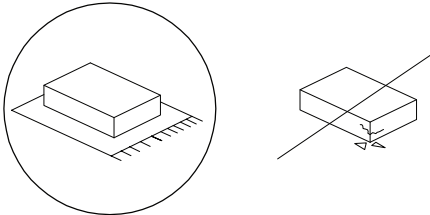


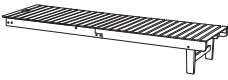


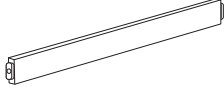



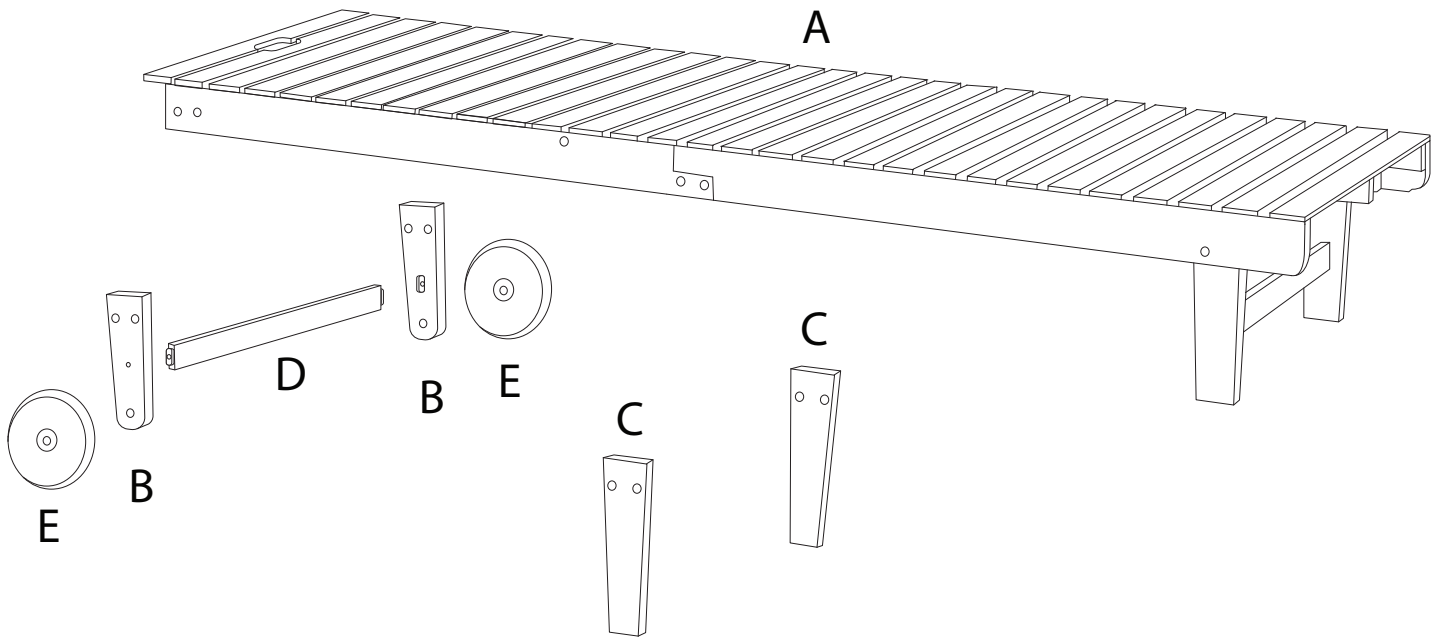
PIETRALUNGA

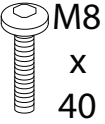
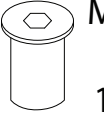
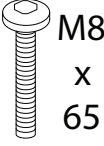
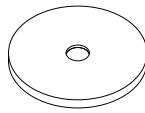
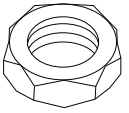
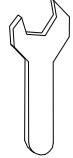

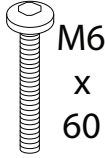




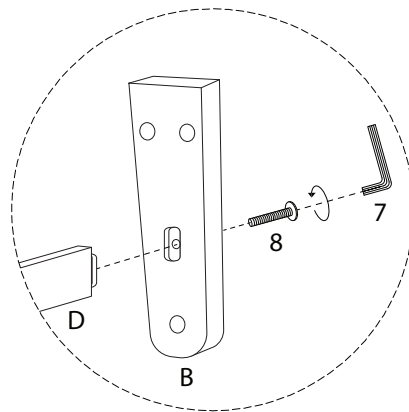
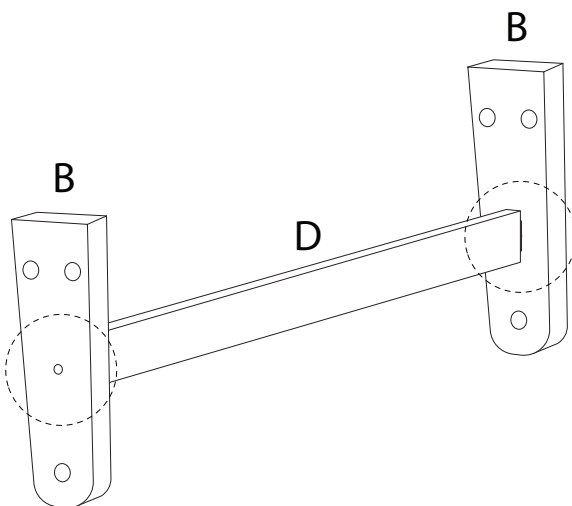
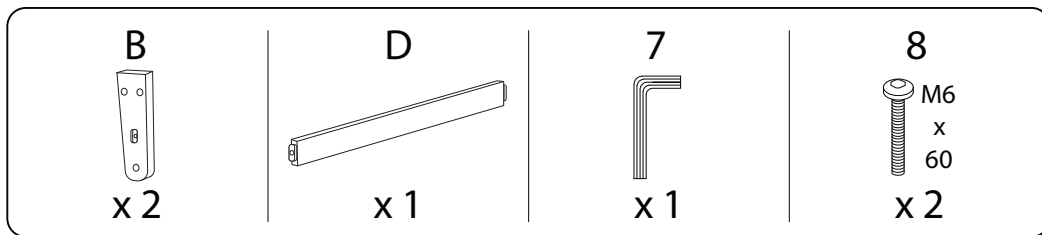
		
		
		1

A	B	C	D	E
				
x 1	x 2	x 2	x 1	x 2

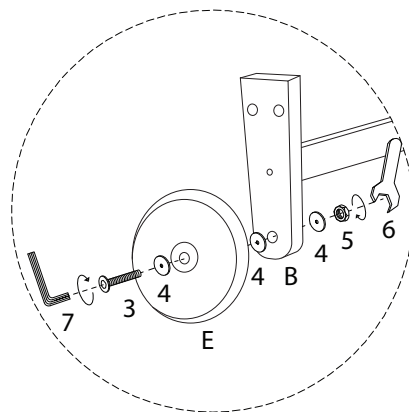
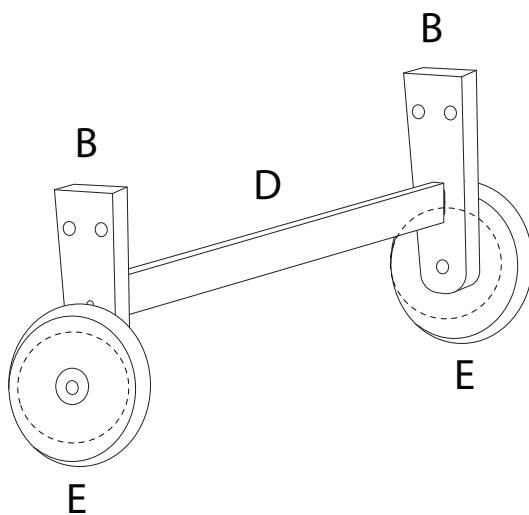
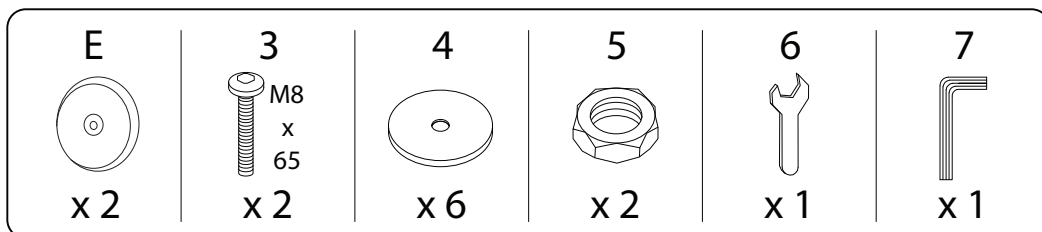


1	2	3	4
 M8 x 40	 M8 x 15	 M8 x 65	
x 8	x 8	x 2	x 6
5	6	7	8
			 M6 x 60
x 2	x 1	x 2	x 2

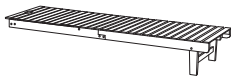

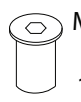
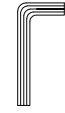
1

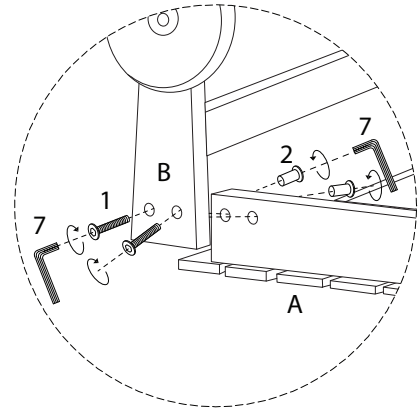
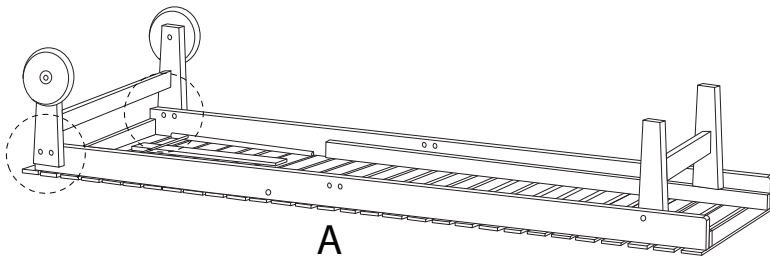


2




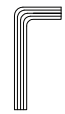


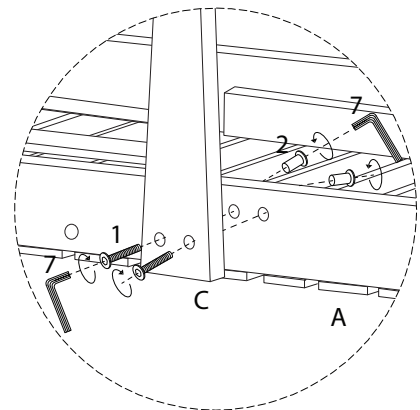
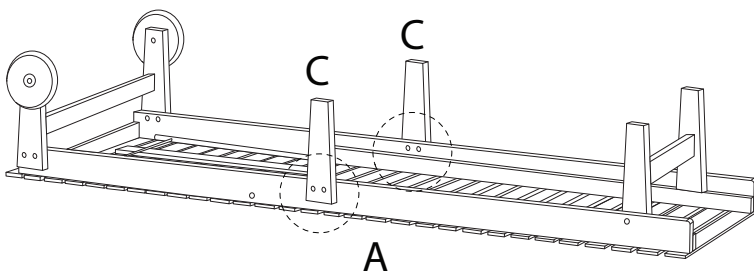
3

<p>A</p>  <p>x 1</p>	<p>1</p>  <p>M8 x 40</p> <p>x 4</p>	<p>2</p>  <p>M8 x 15</p> <p>x 4</p>	<p>7</p>  <p>x 2</p>
---	--	---	---

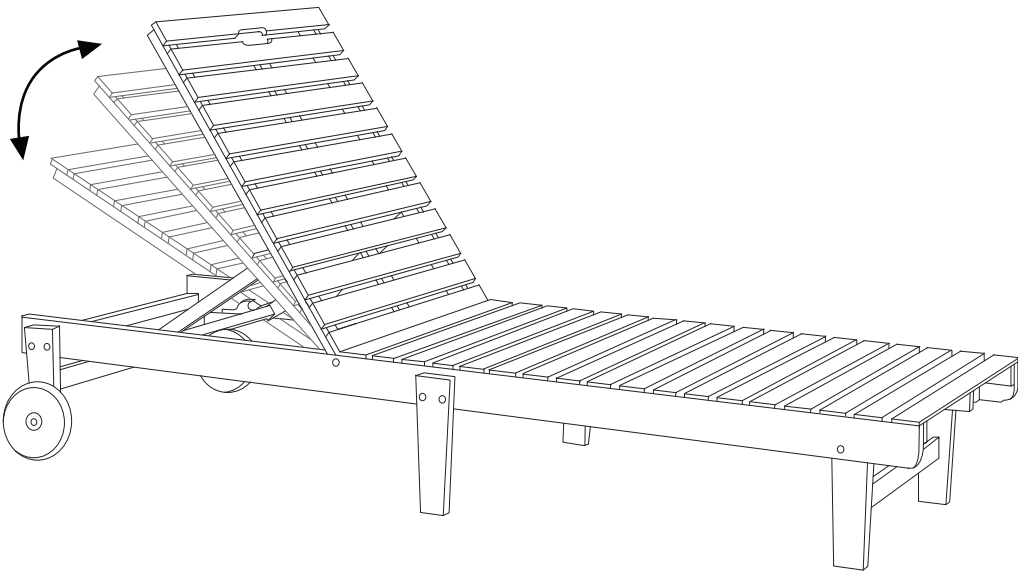
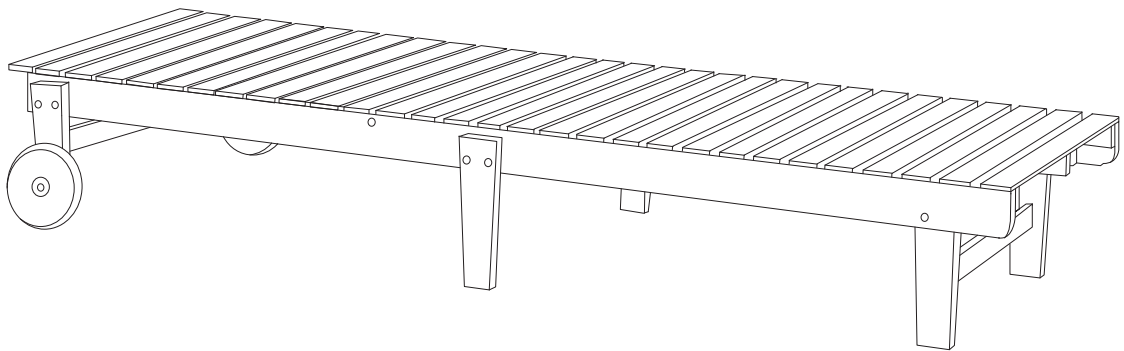


2

<p>C</p>  <p>x 2</p>	<p>1</p>  <p>M8 x 40</p> <p>x 4</p>	<p>2</p>  <p>M8 x 15</p> <p>x 4</p>	<p>7</p>  <p>x 1</p>
---	--	---	---



!



!

