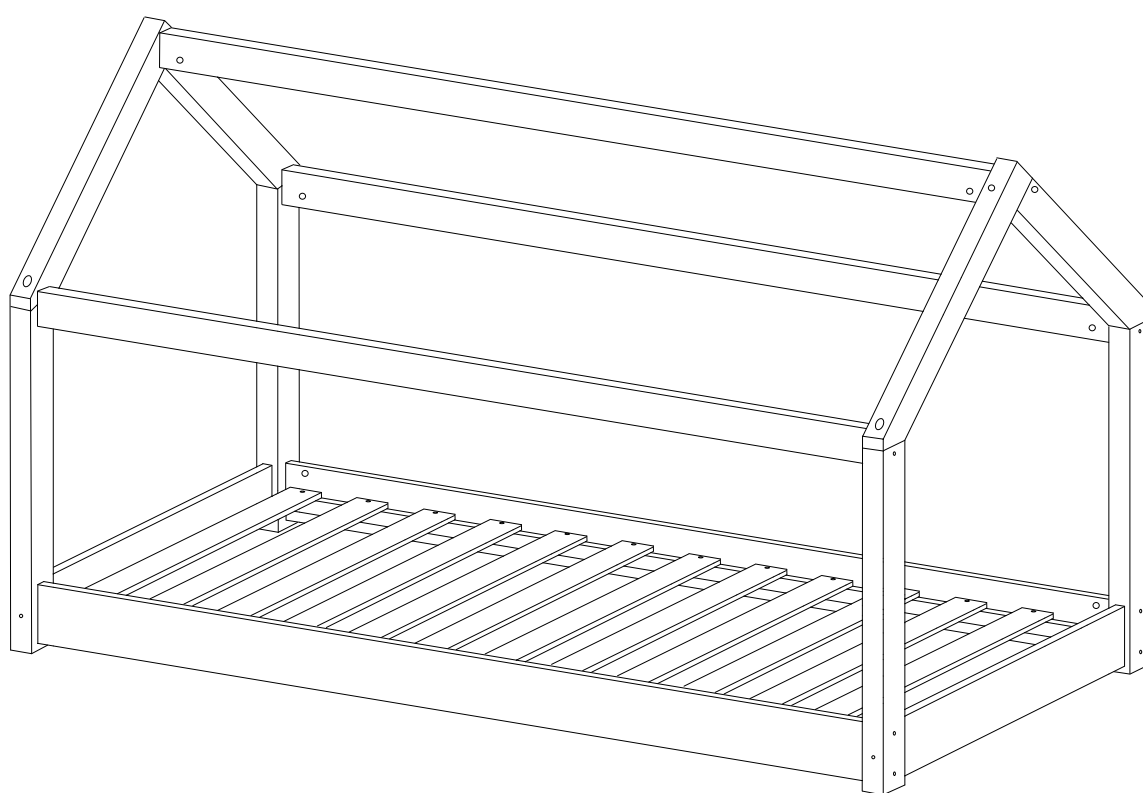
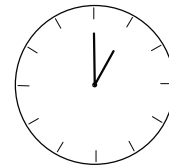
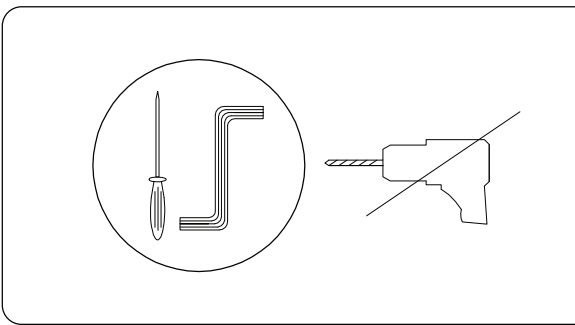
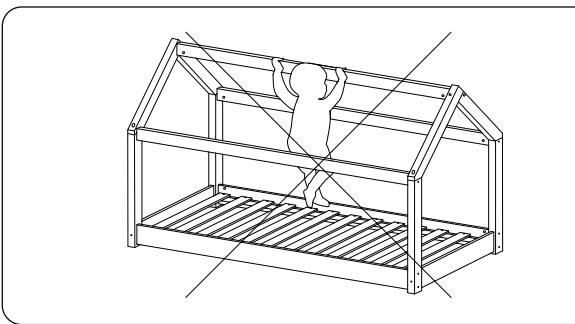
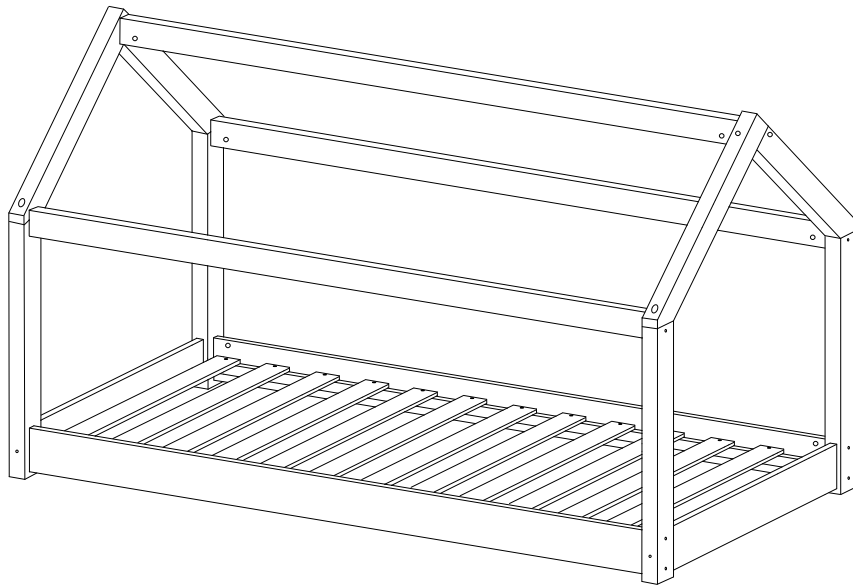
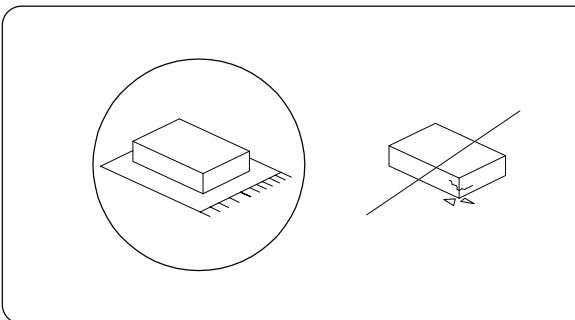


TOSSE

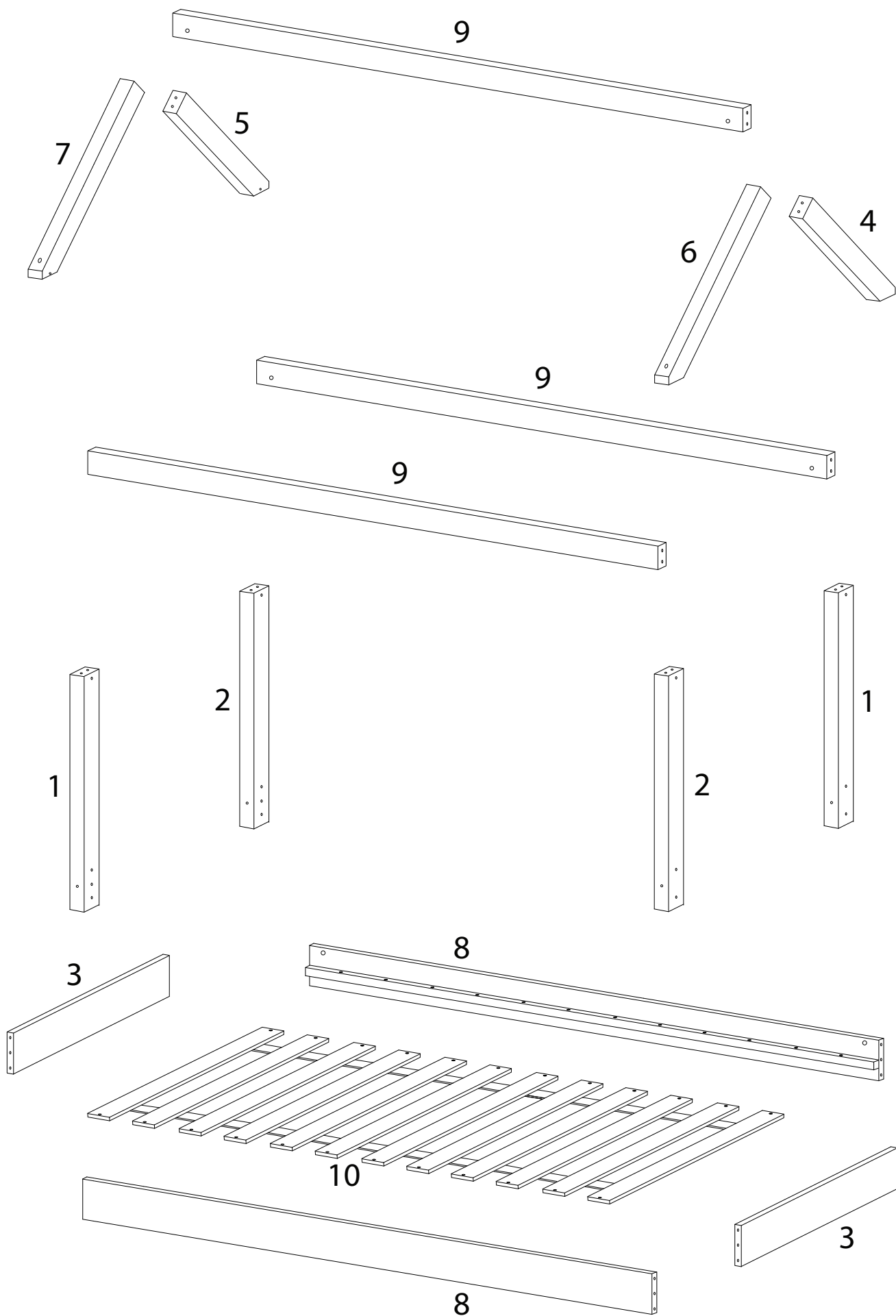




60'



2



1



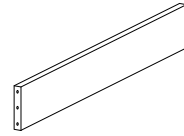
x 2

2



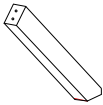
x 2

3



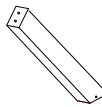
x 2

4



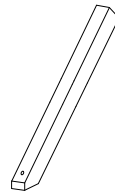
x 1

5



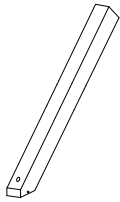
x 1

6



x 1

7



x 1

8



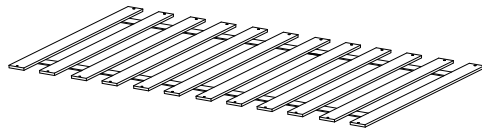
x 2

9



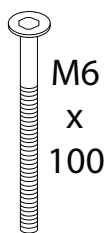
x 3

10



x 1

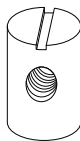
A



M6
x
100

x 6

B



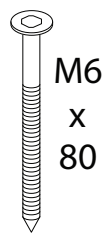
x 20

C



x 24

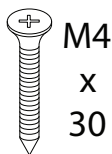
D



M6
x
80

x 14

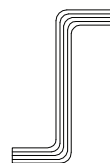
E



M4
x
30

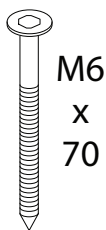
x 26

F



x 1

G



M6
x
70

x 4

1 x 2

3



x 1

8

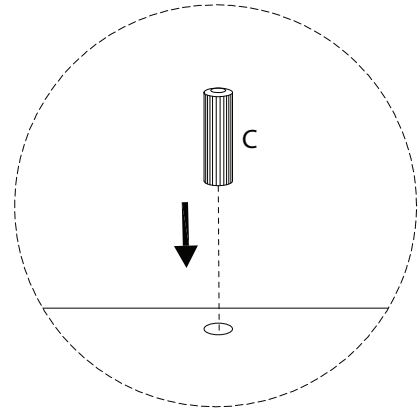
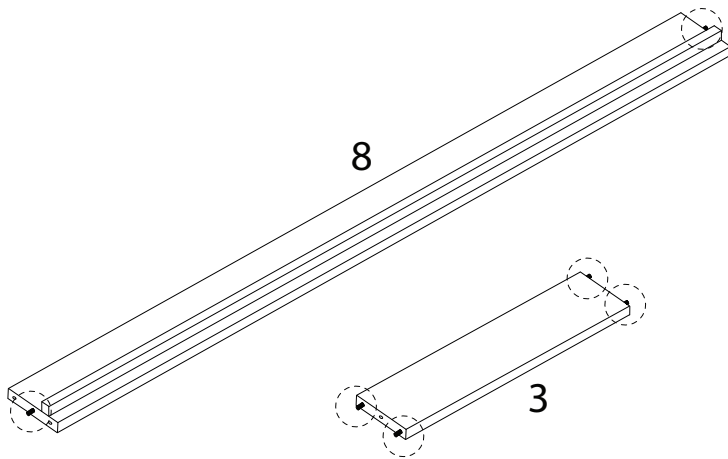


x 1

C



x 6



2 x 3

9

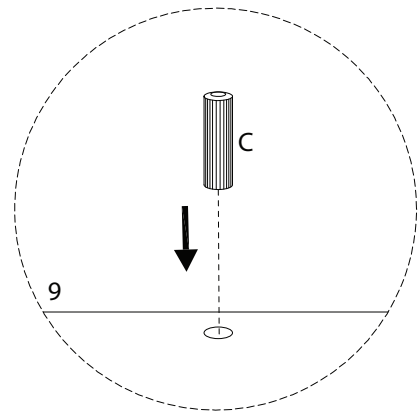
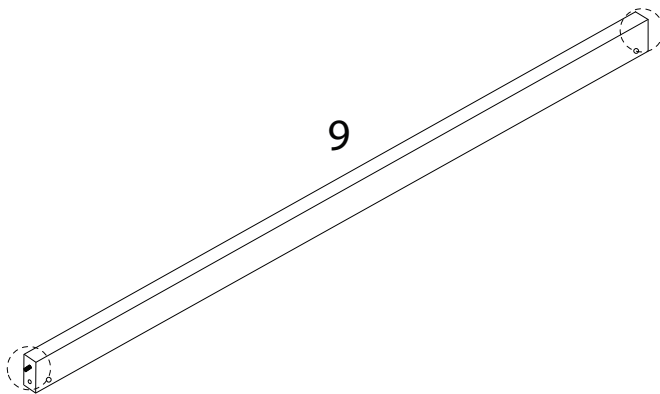


x 1




C

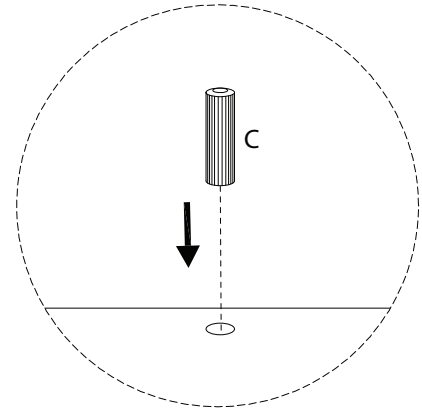
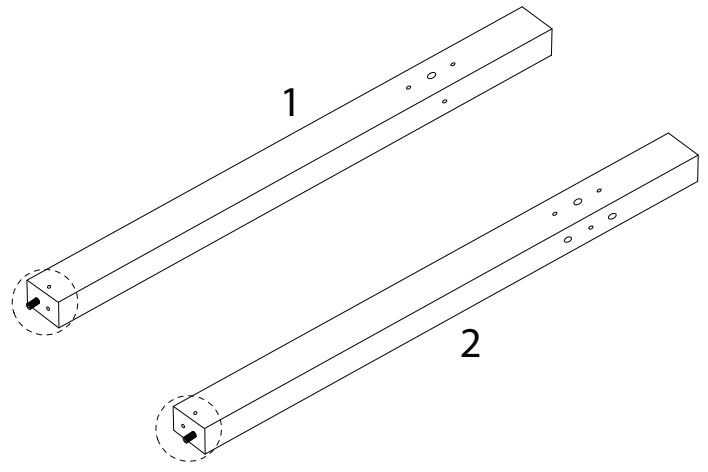


x 2

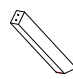




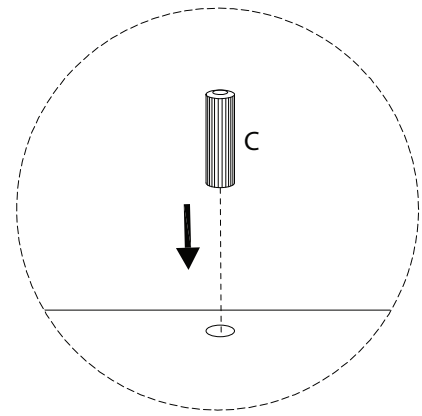
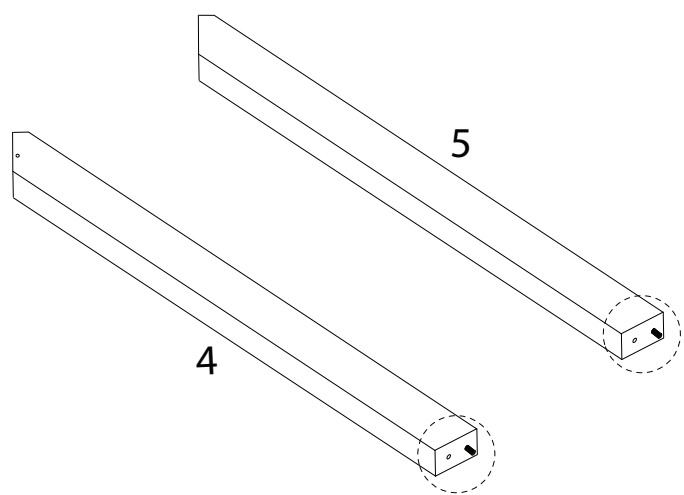
3 x 2

1  x1	2  x1	C  x2
--	--	--



4

4  x1	5  x1	C  x2
--	--	--



5

6



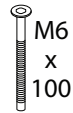
x 1

7



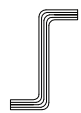
x 1

A

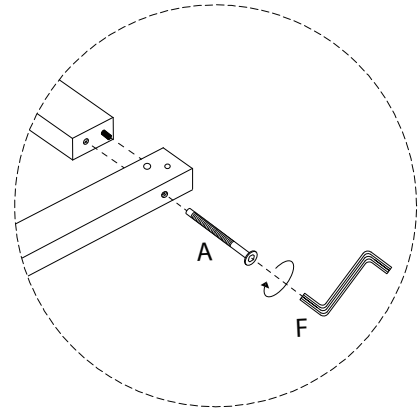
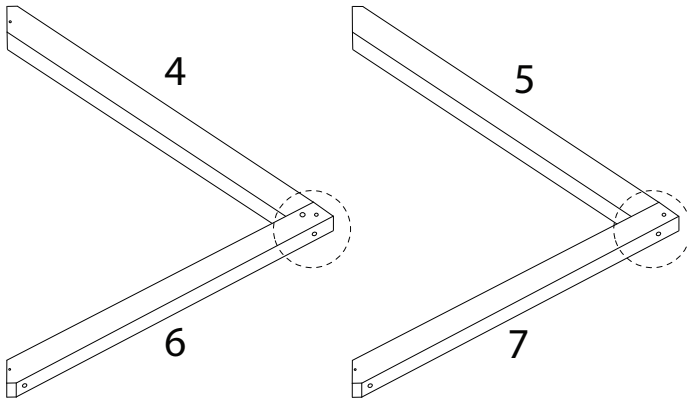


x 2

F

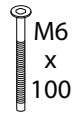


x 1



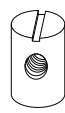
6 x 2

A



x 2

B

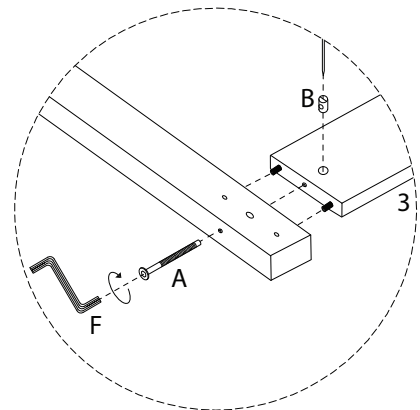
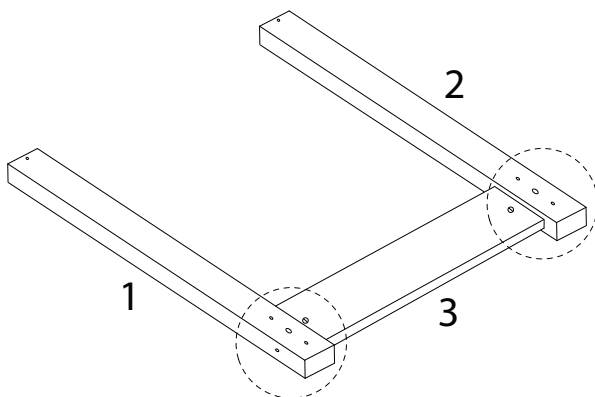


x 2

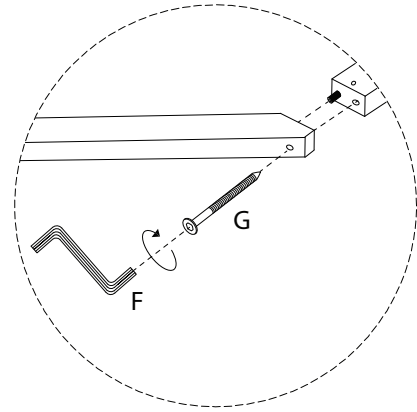
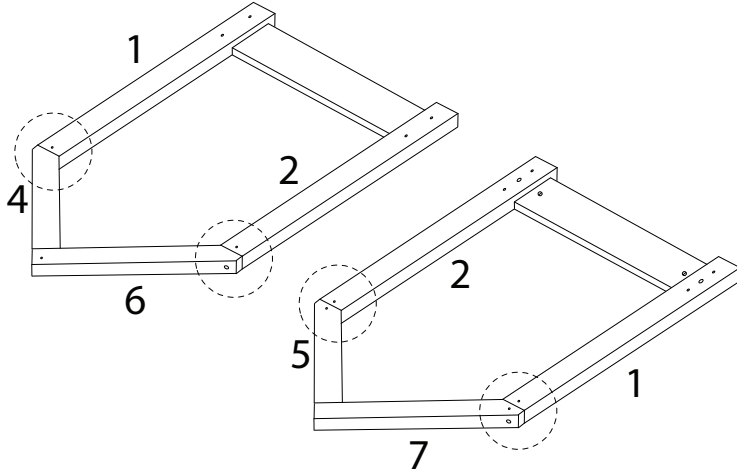
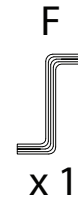
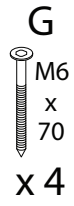
F



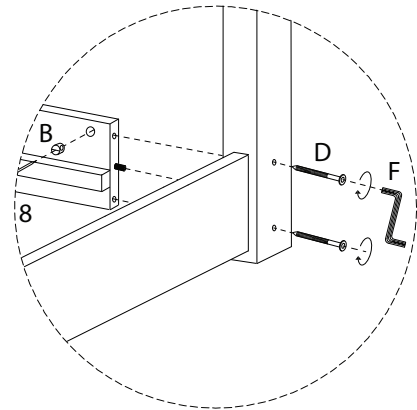
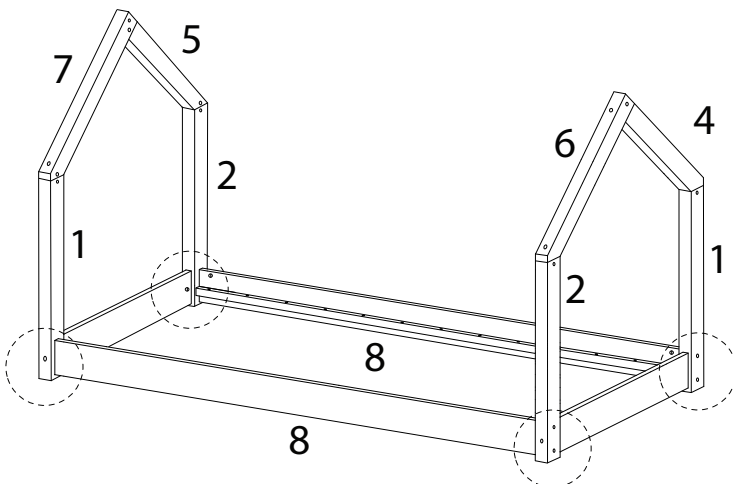
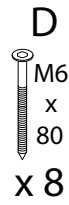
x 1



7



8



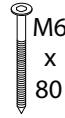
9

B



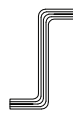
x 6

D

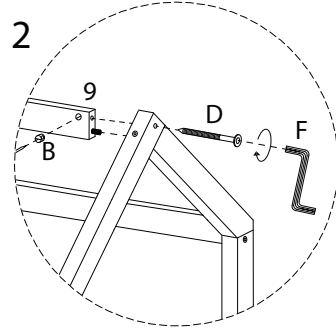
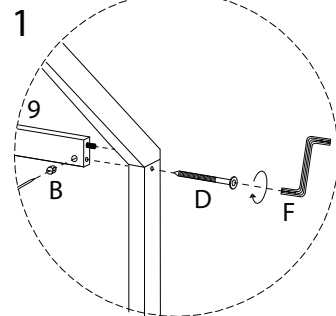
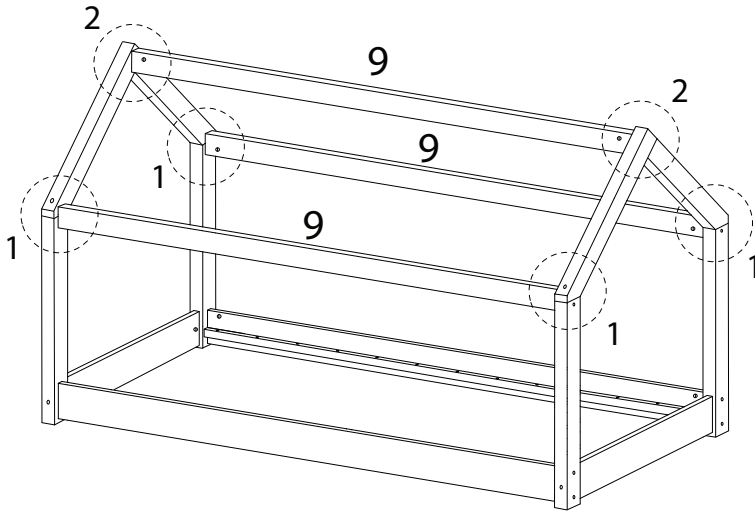


x 6

F



x 1



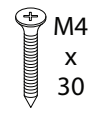
10

10



x 1

E



x 26

