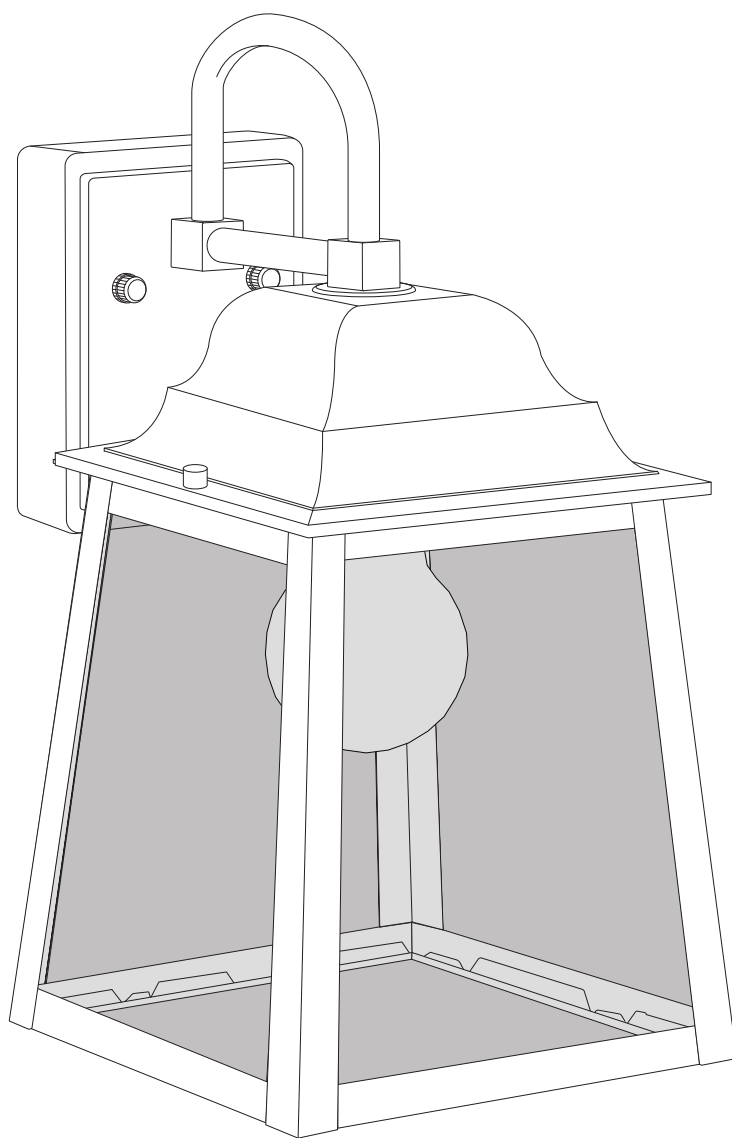
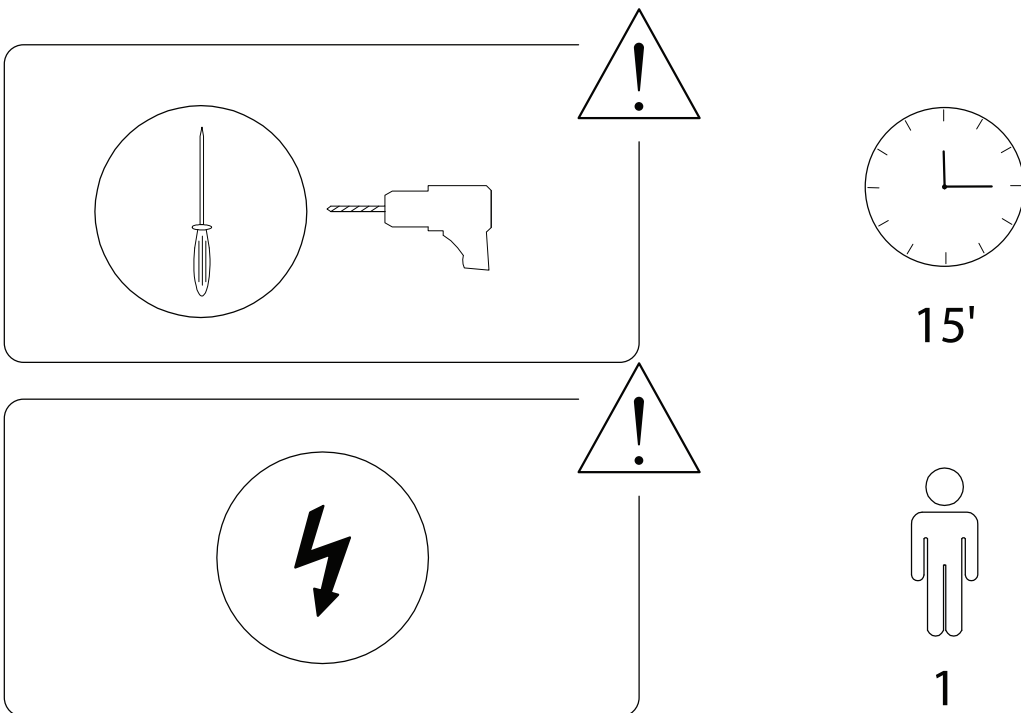
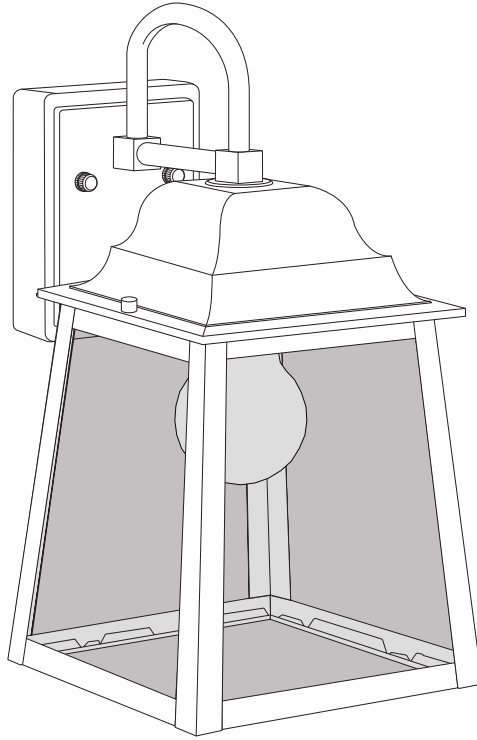
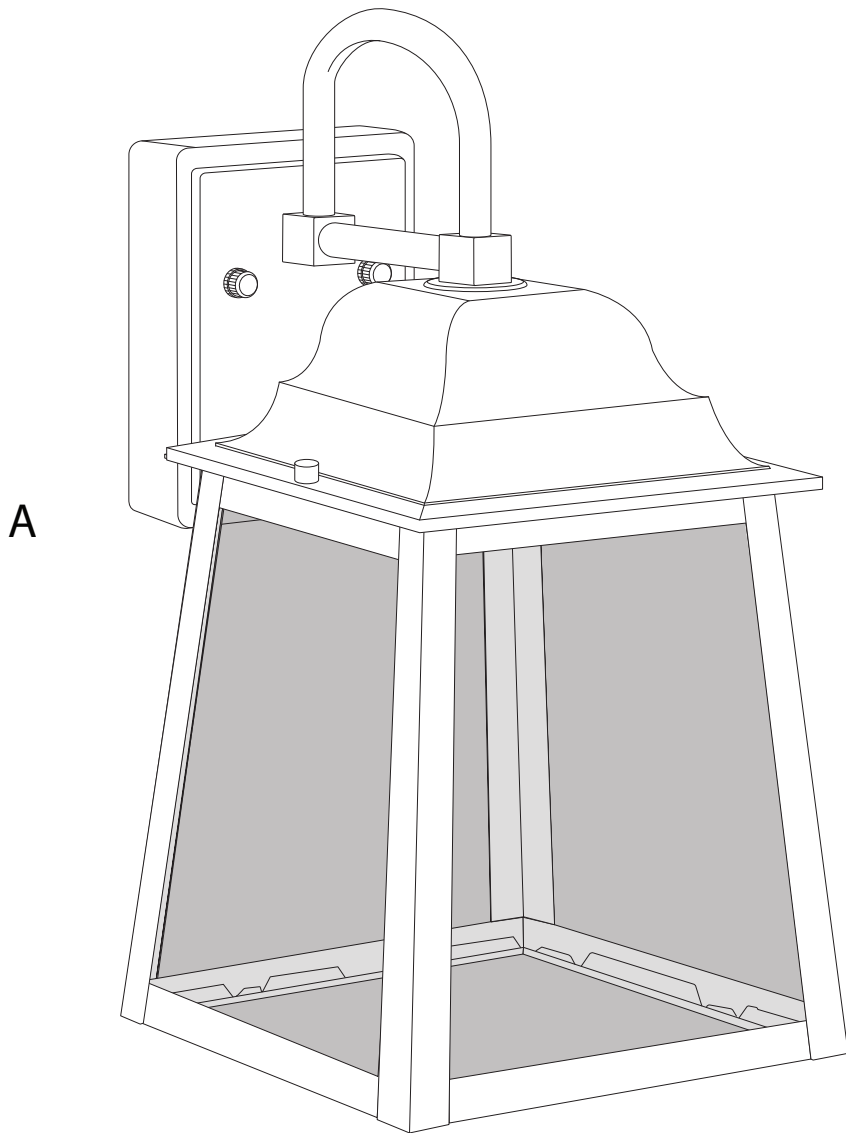


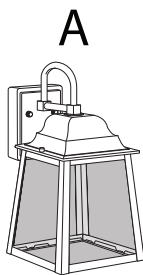
# GARRY





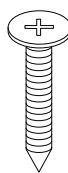


A



x 1

B



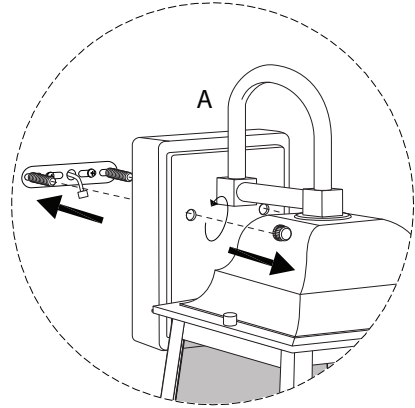
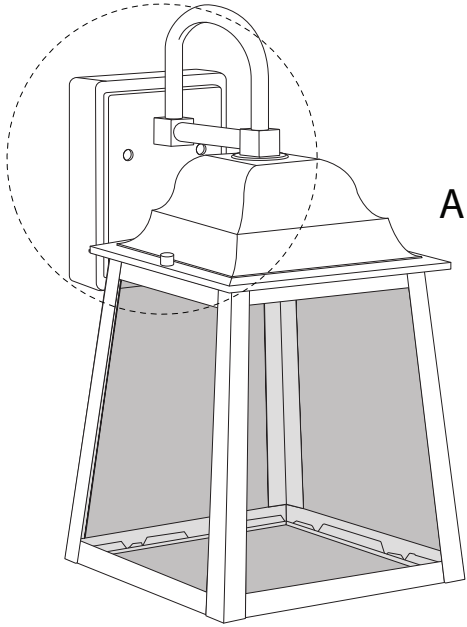
x 2

C

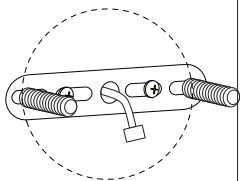
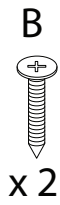


x 2

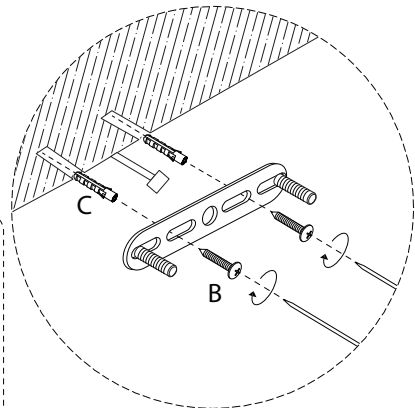
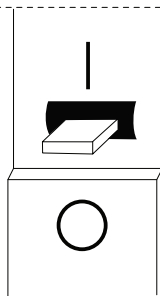
1



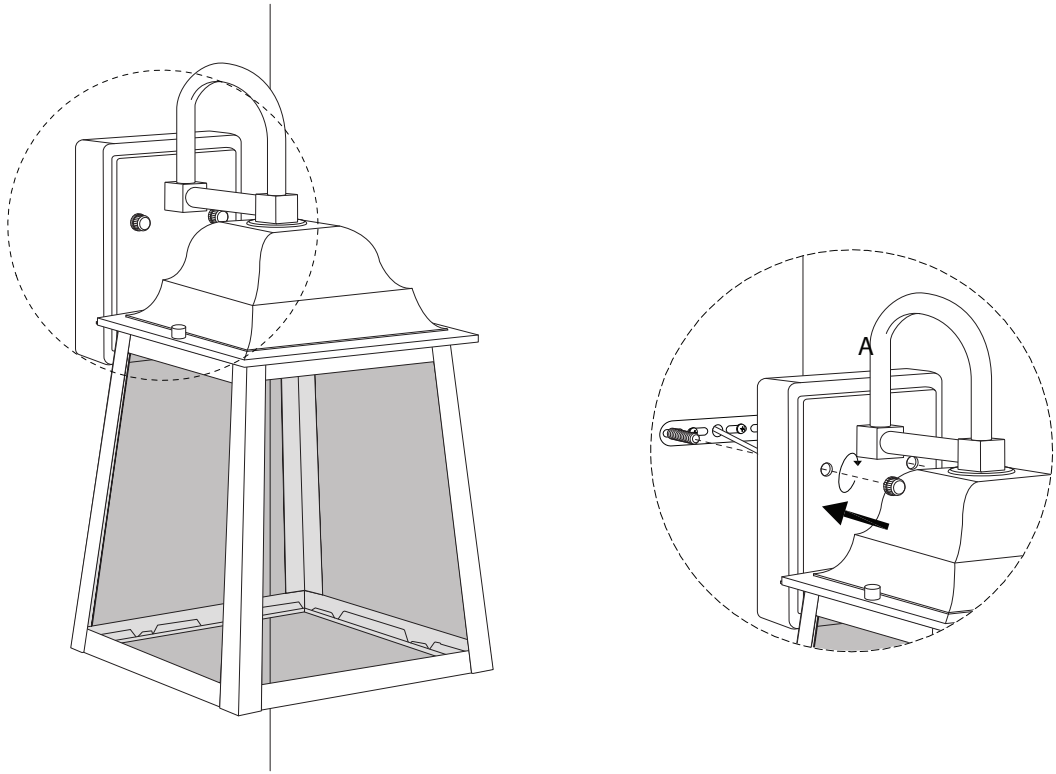
2



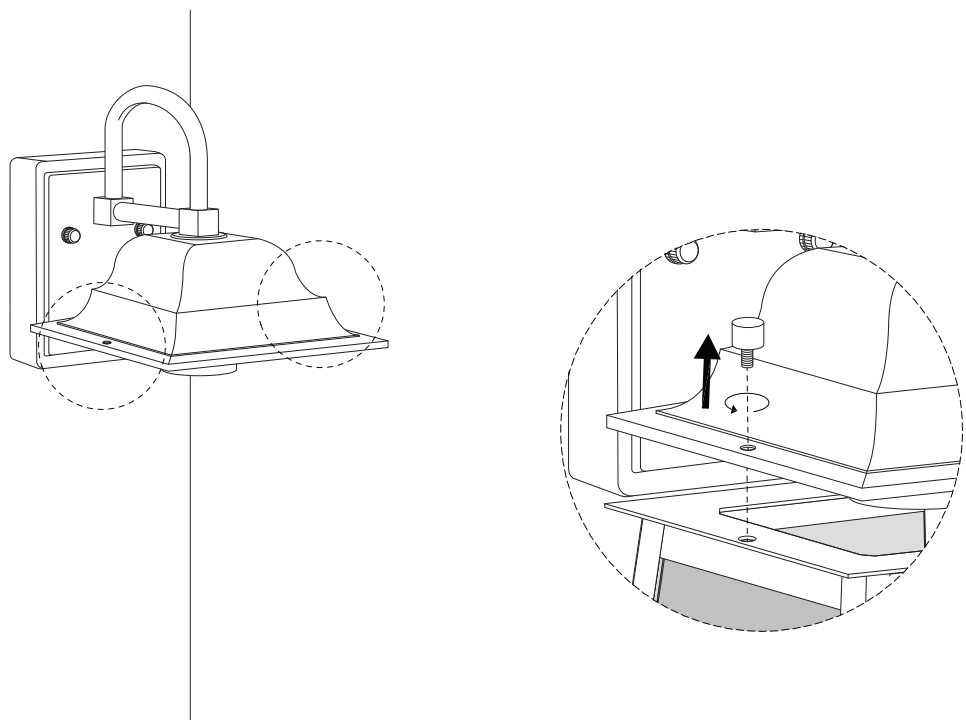
OFF



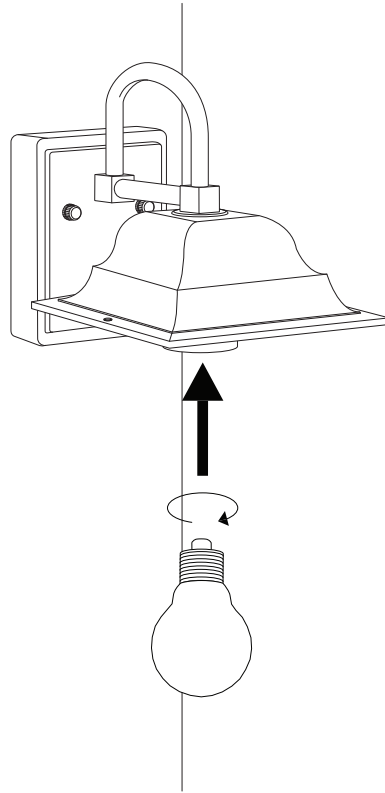
3



4



5



6

