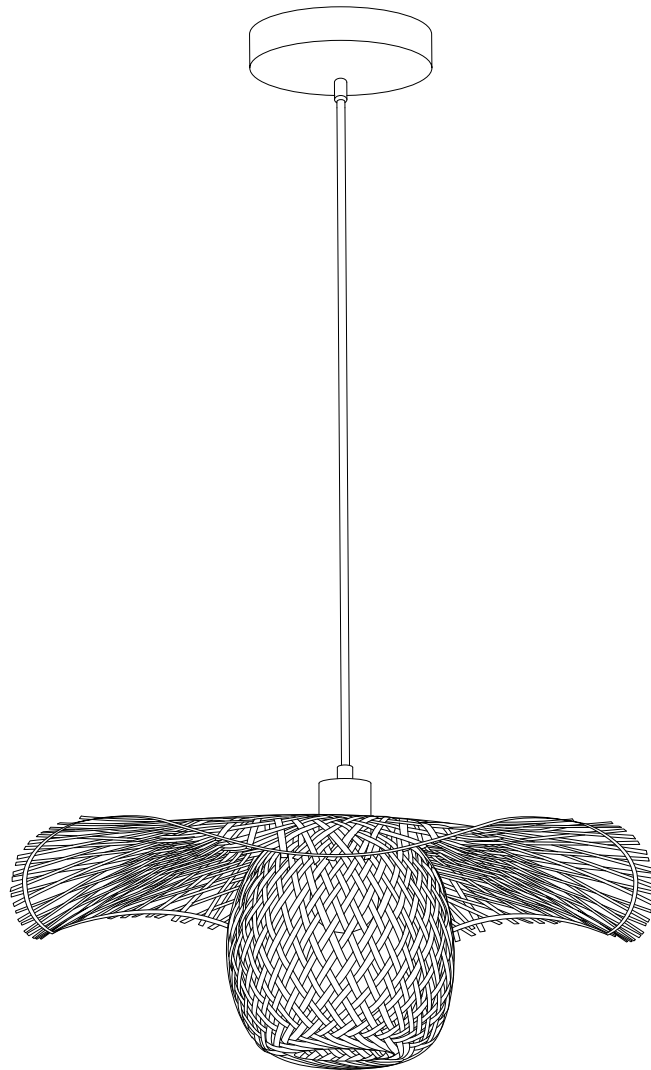
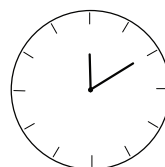
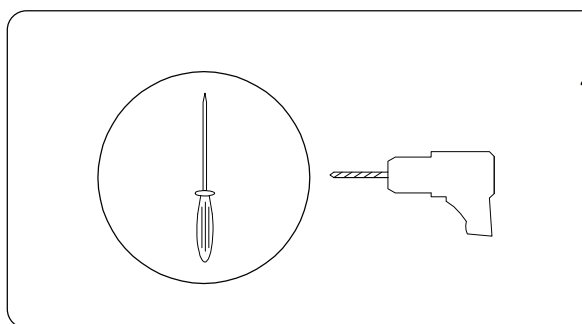
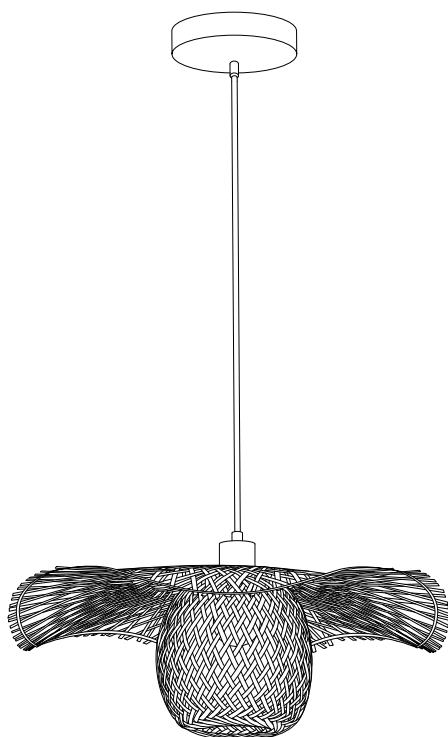
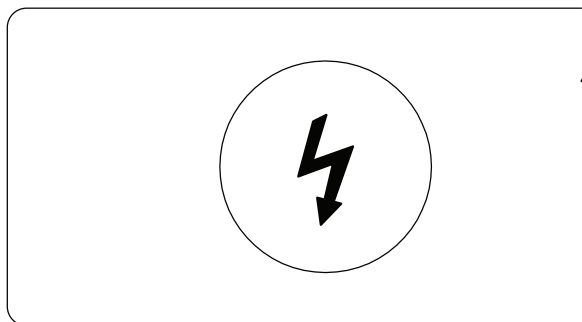


BONITO



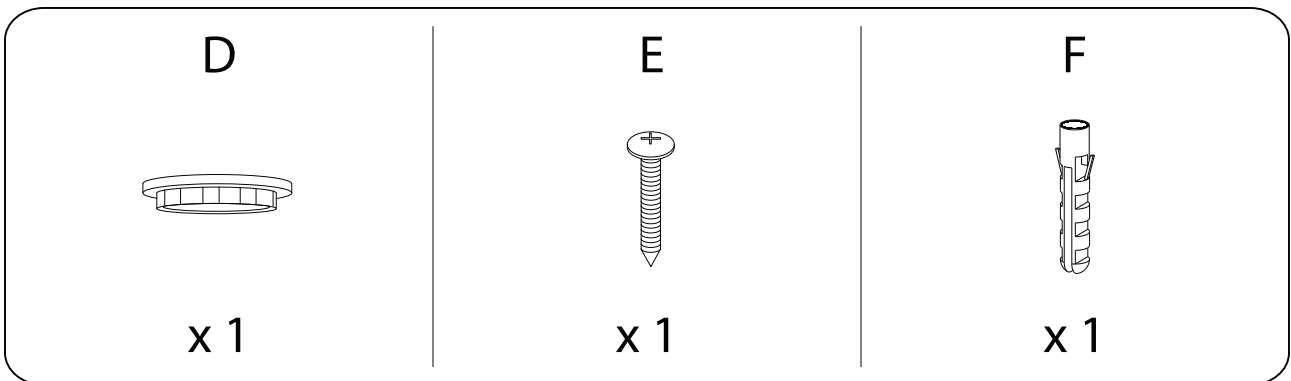
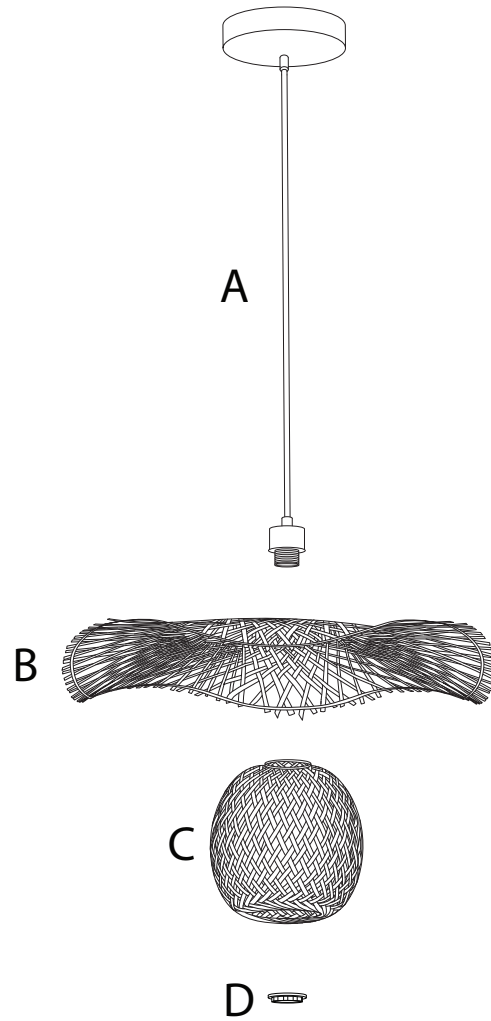
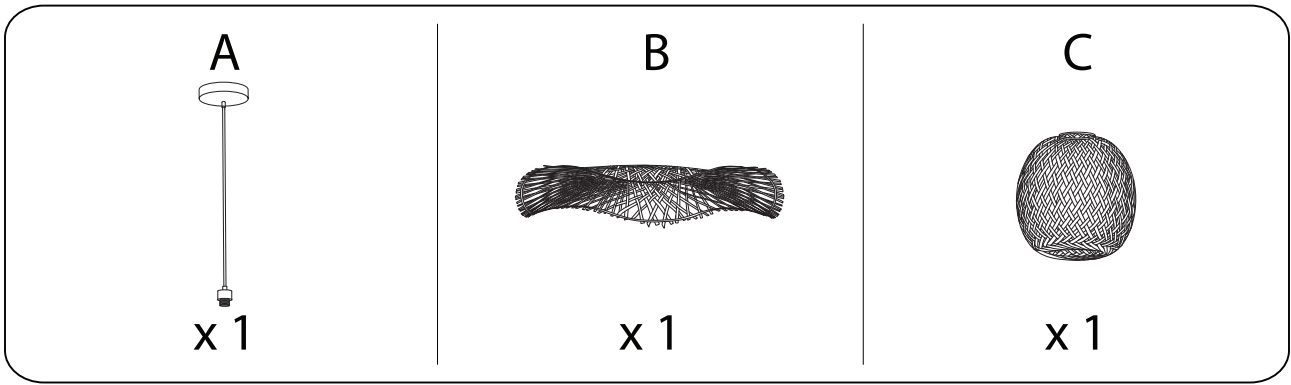


10'

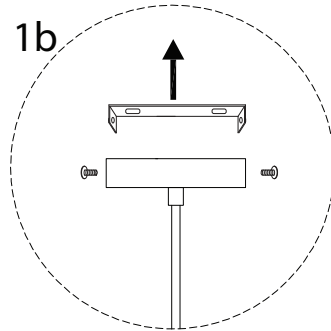
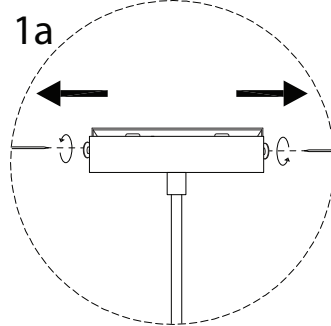
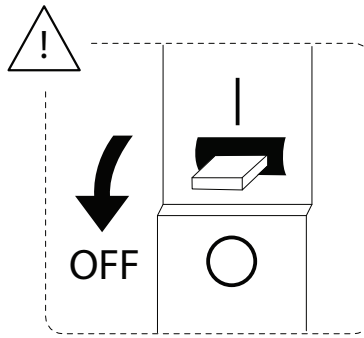
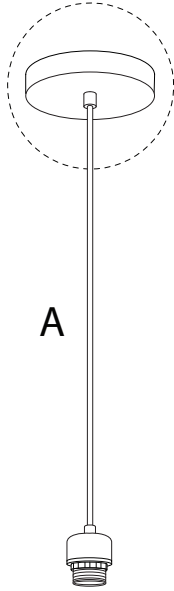


1

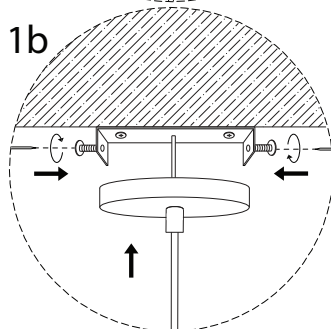
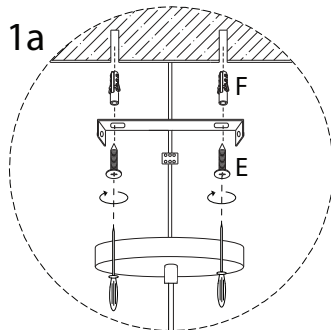
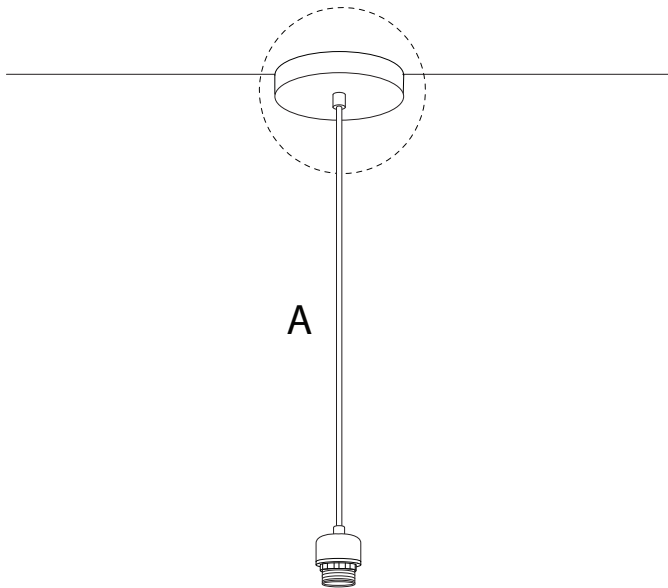
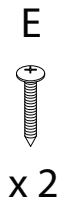
1/5



1

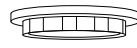


2

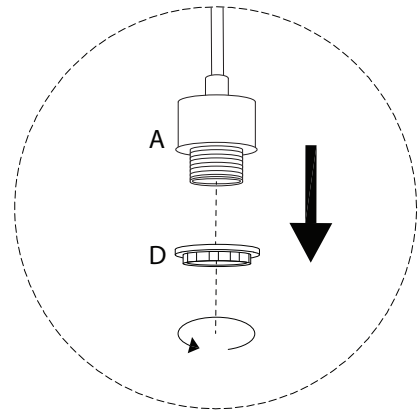
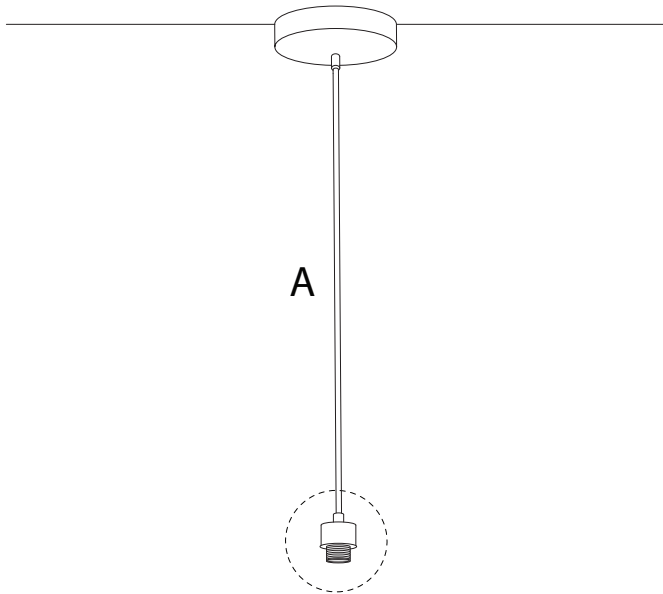


3

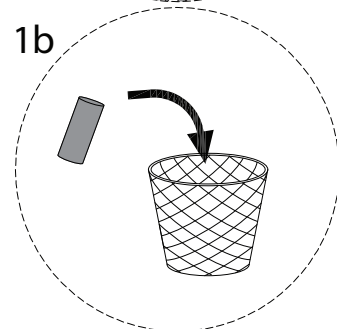
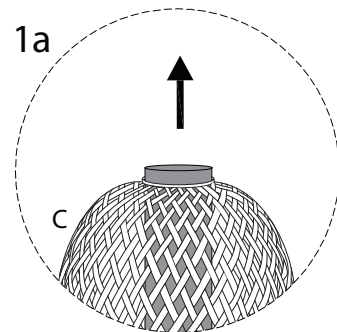
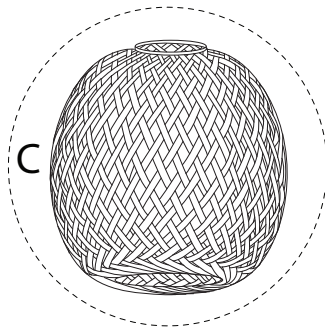
D



x 1



!



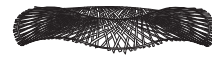
4

B

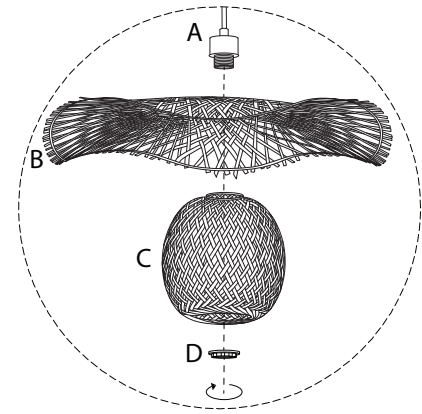
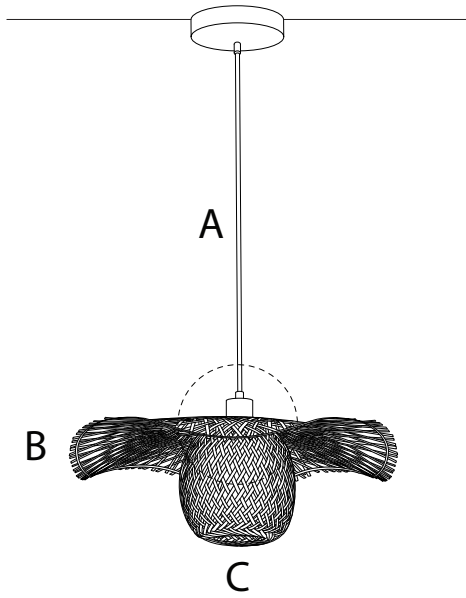


x 1

C



x 1



5

