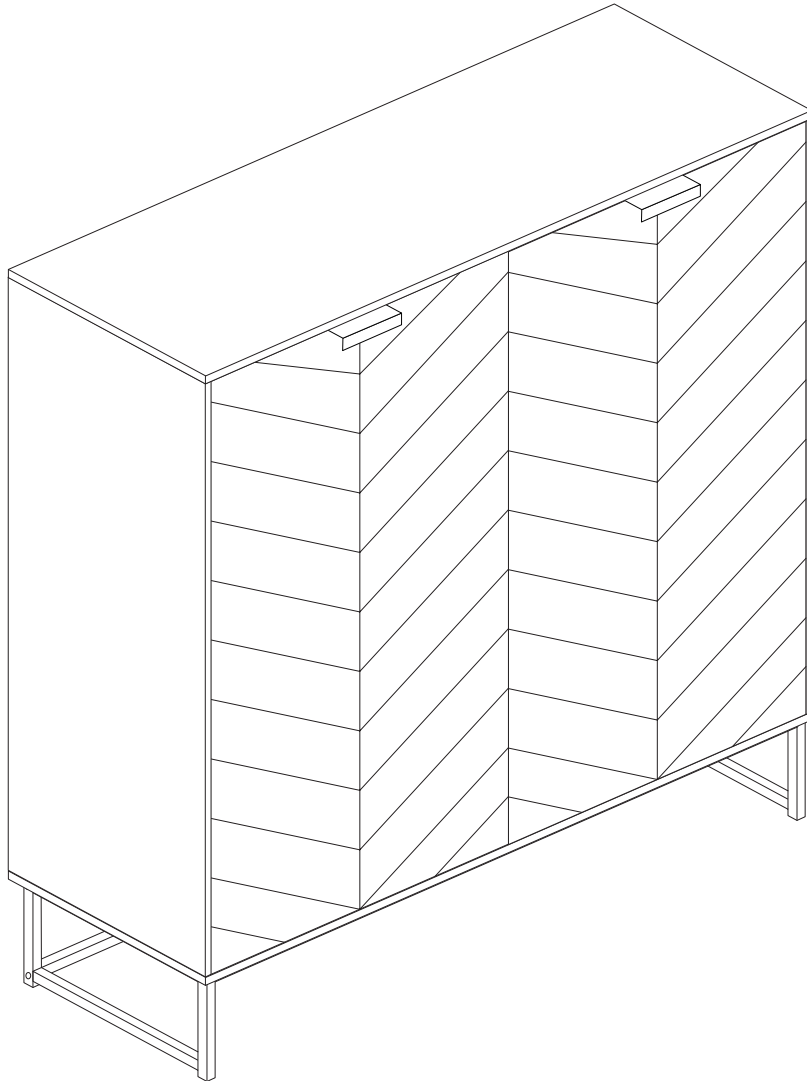
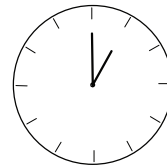
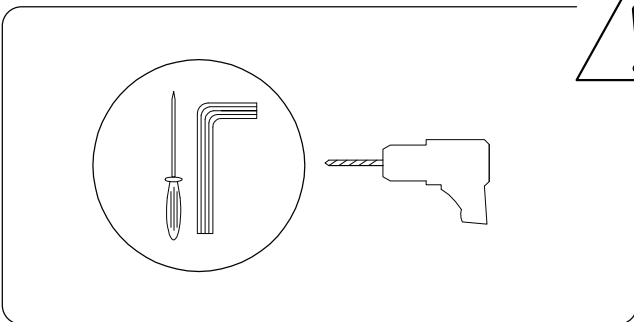
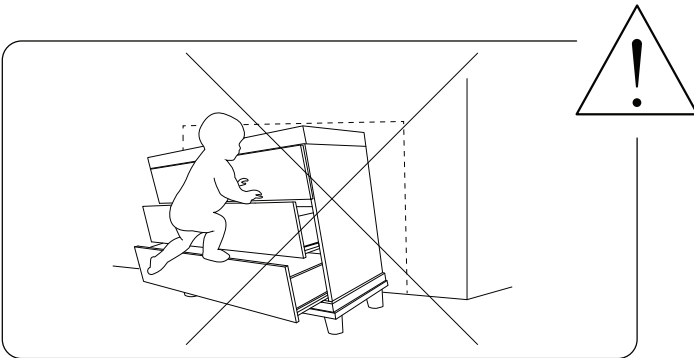
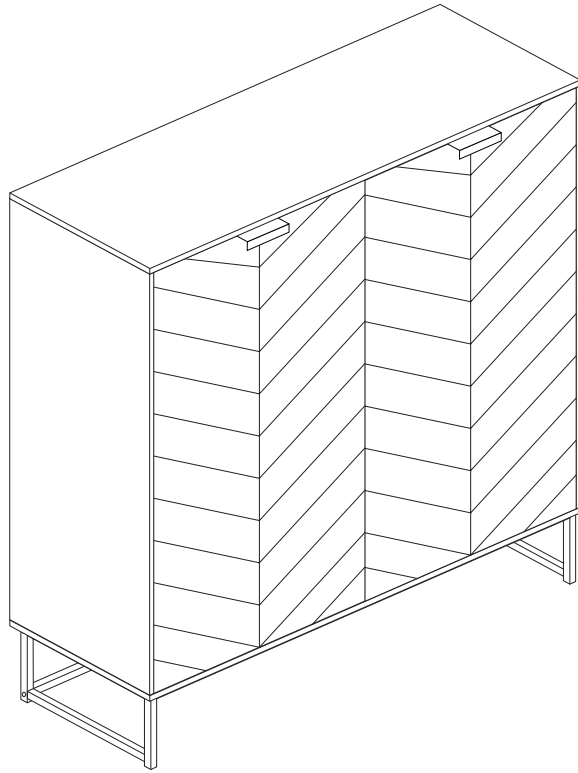
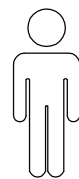
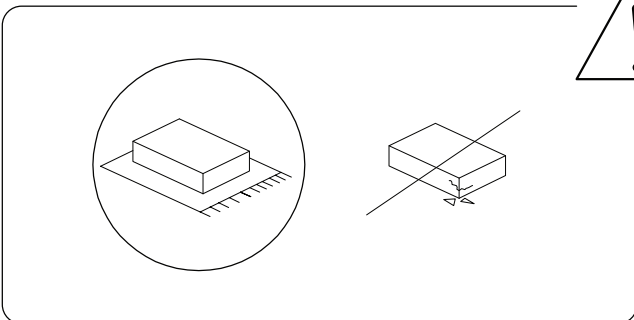


# ALASKA

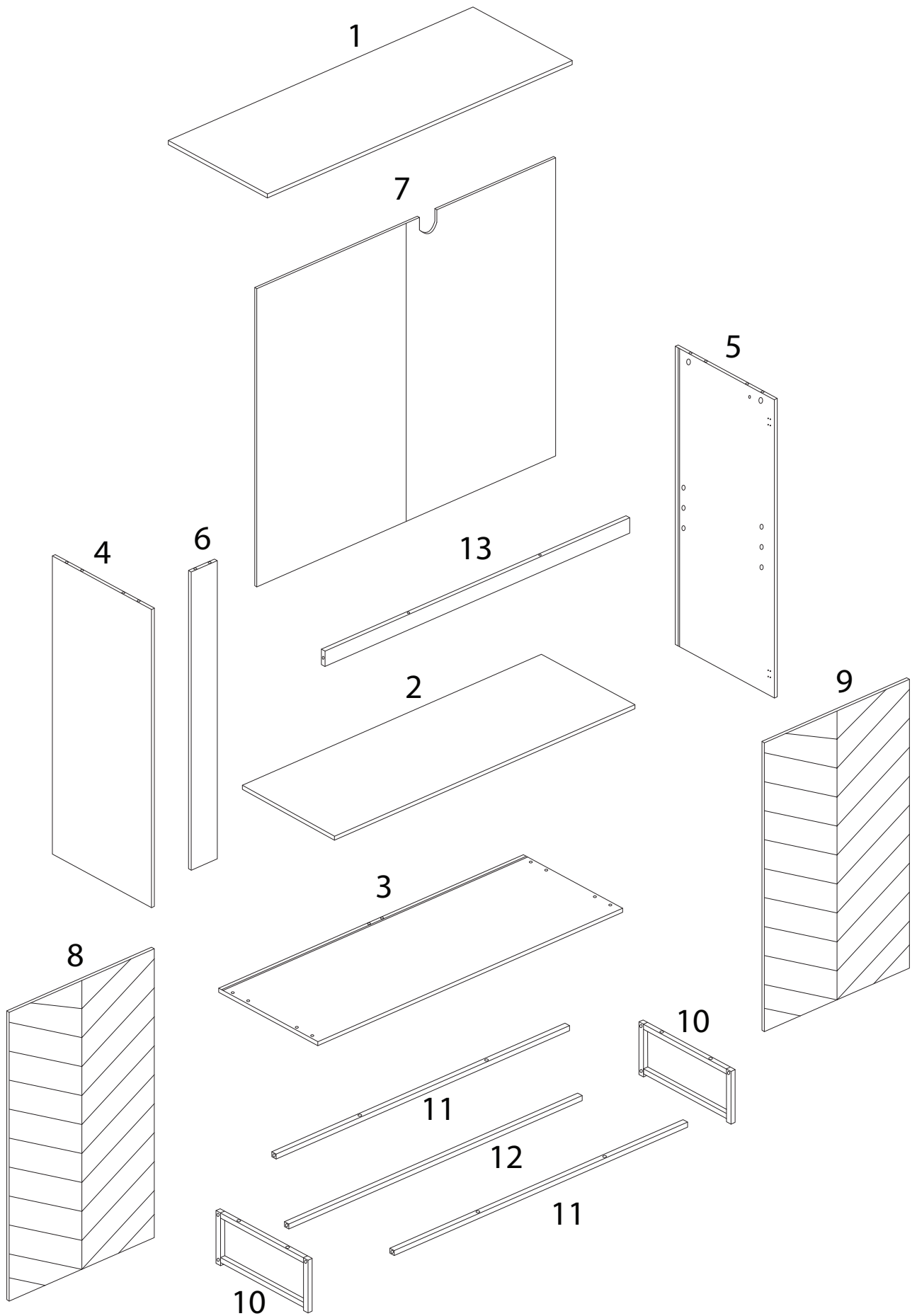




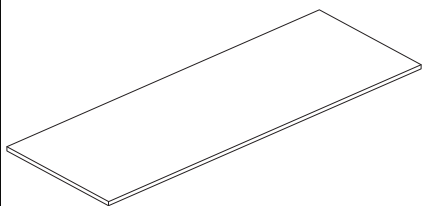
60'



2

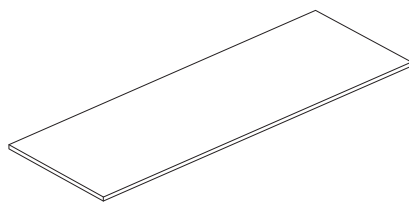


1



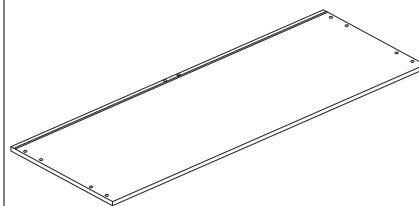
x 1

2



x 1

3



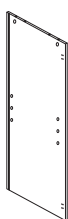
x 1

4



x 1

5



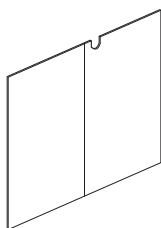
x 1

6



x 1

7



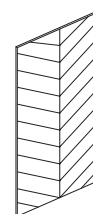
x 1

8



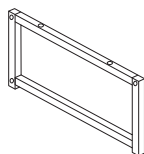
x 1

9



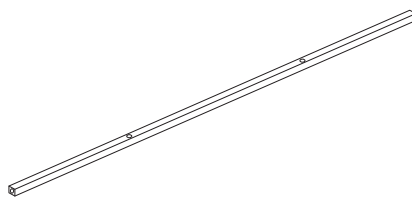
x 1

10



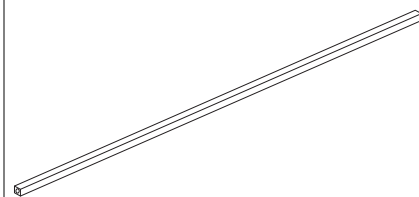
x 2

11



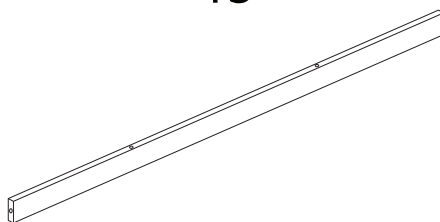
x 2

12



x 1

13



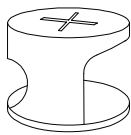
x 1

A



x 8

B



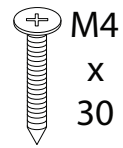
x 8

C



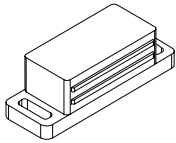
x 8

D



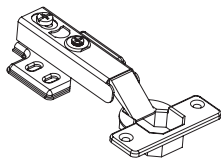
x 9

E



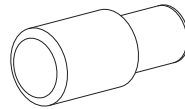
x 2

F



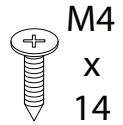
x 4

G



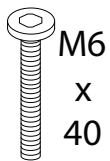
x 4

H



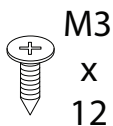
x 24

I



x 6

J



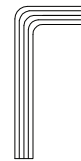
x 8

K



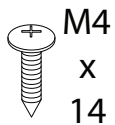
x 8

L



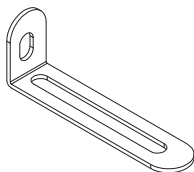
x 1

M



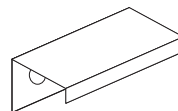
x 1

N



x 1

O



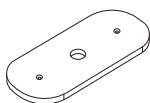
x 2

P



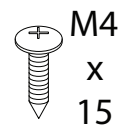
x 1

Q



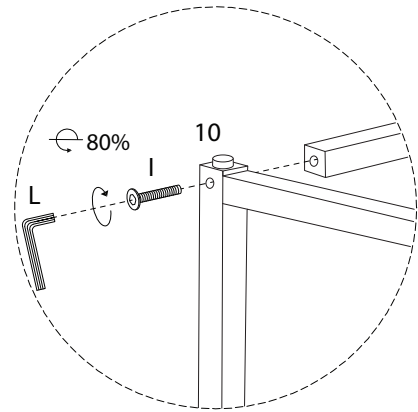
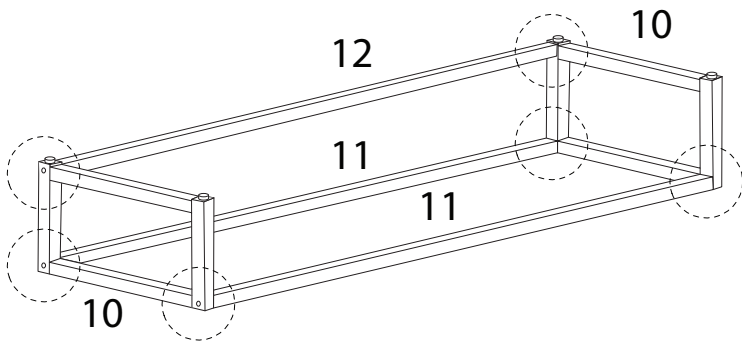
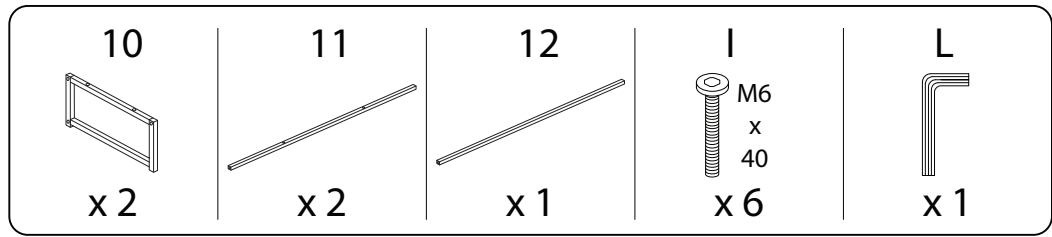
x 4

R

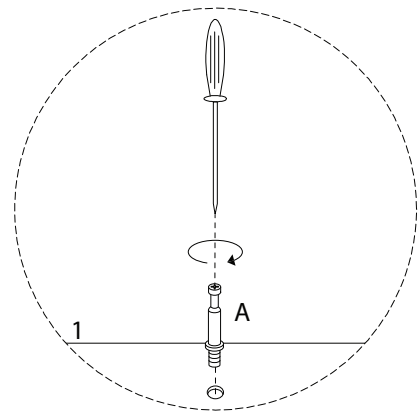
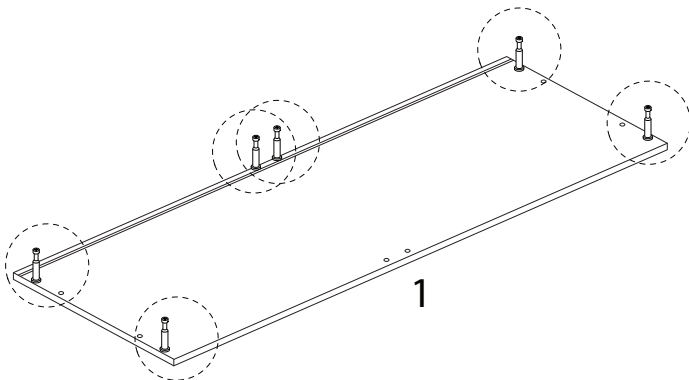
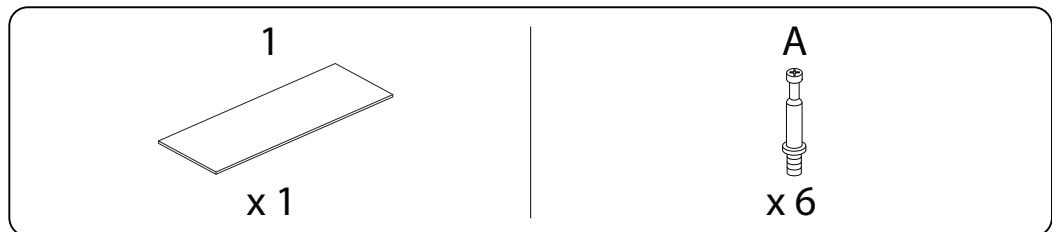


x 4

1



2



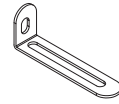
3

M

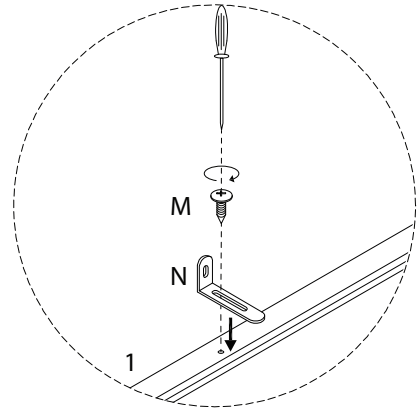
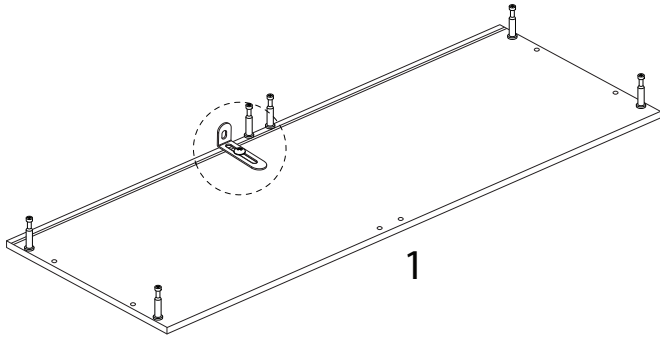


x 1

N

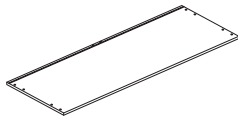


x 1



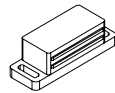
4

3



x 1

E

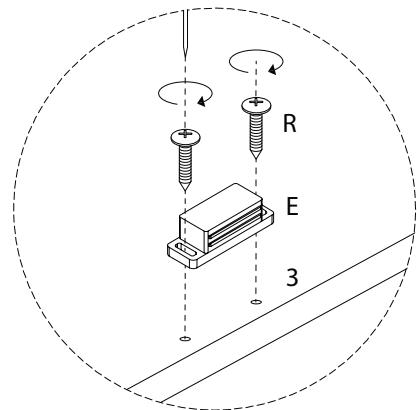
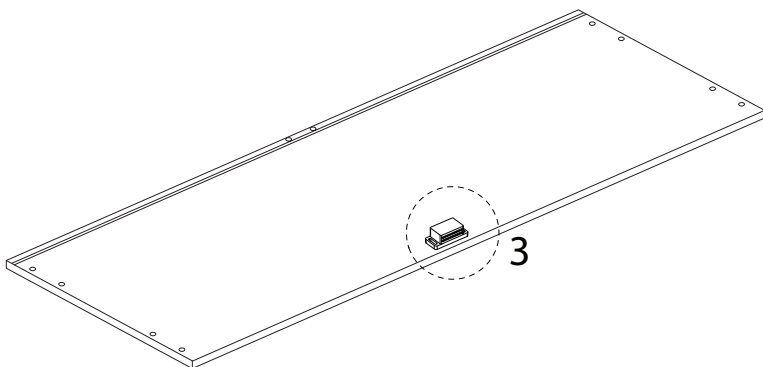


x 1

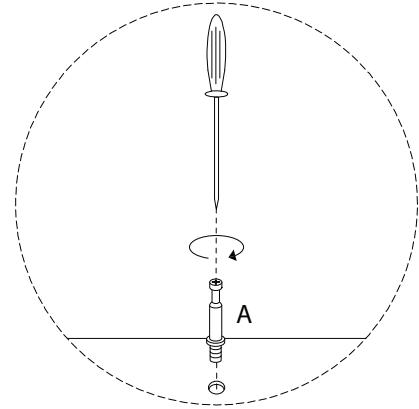
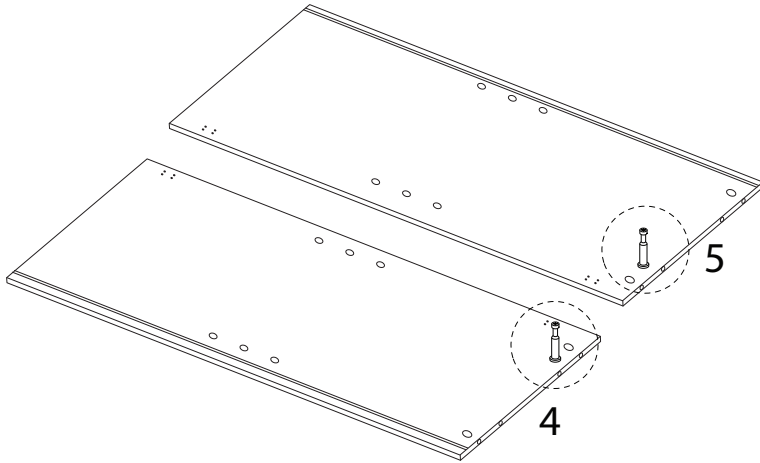
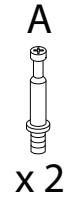
R



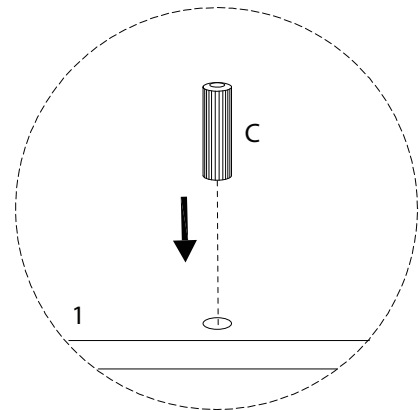
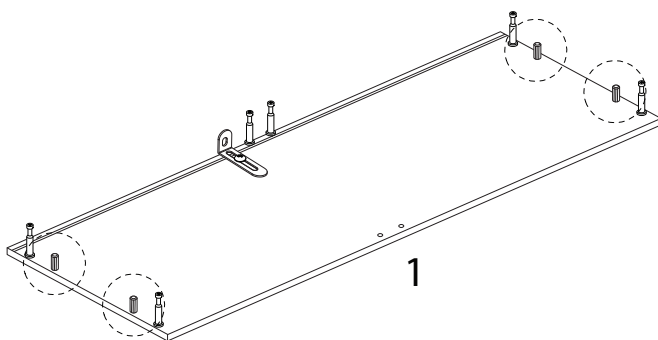
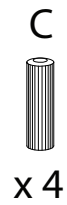
x 2



5

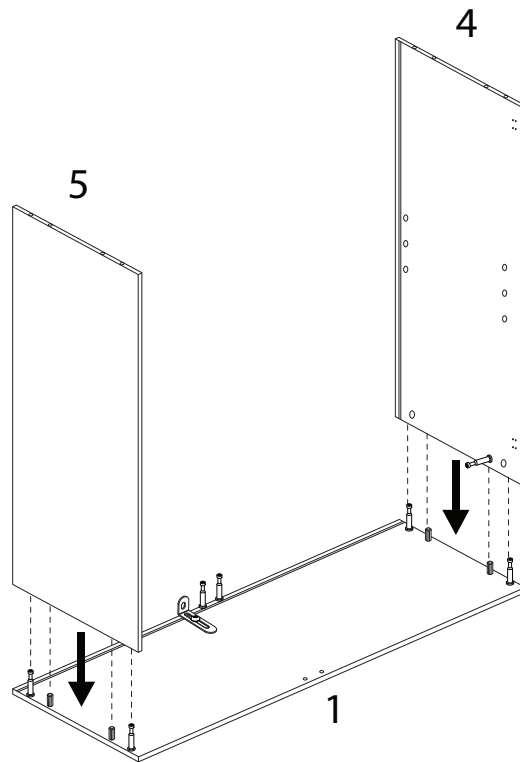


6

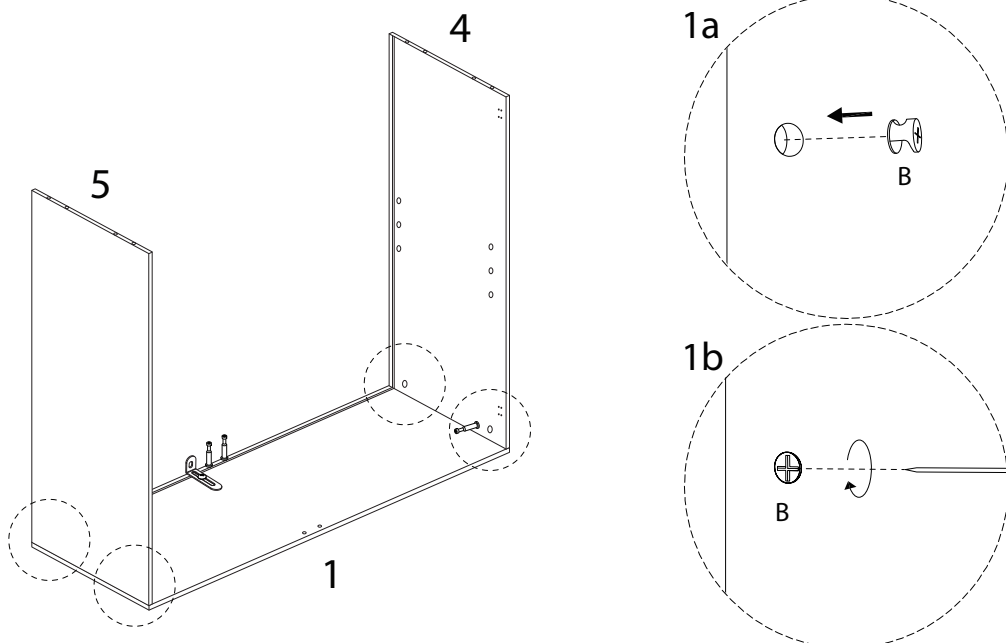
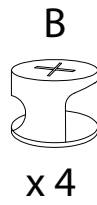




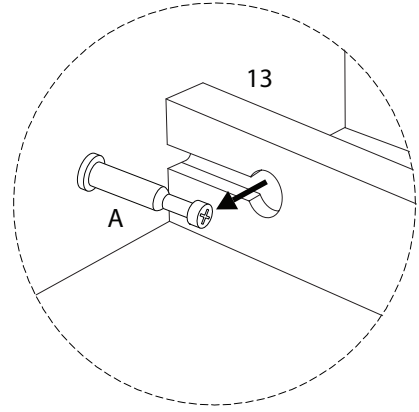
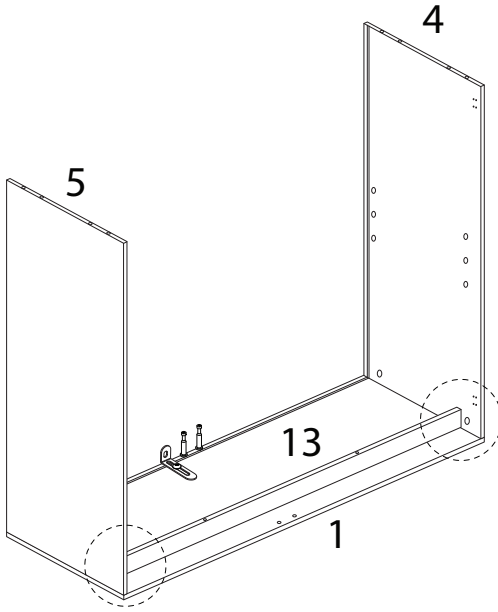
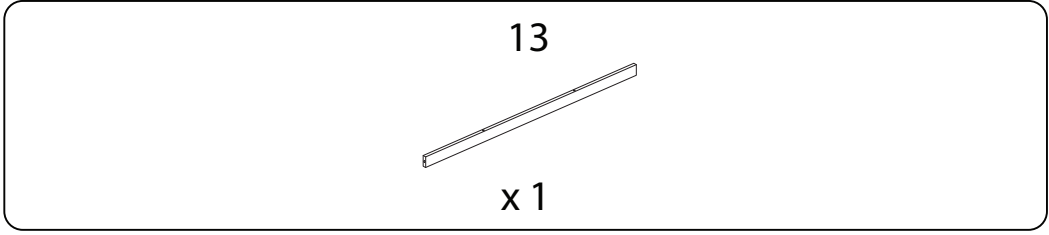
7



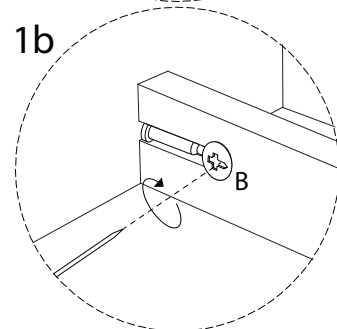
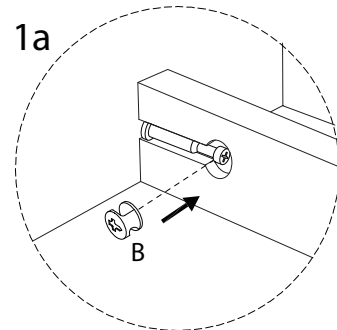
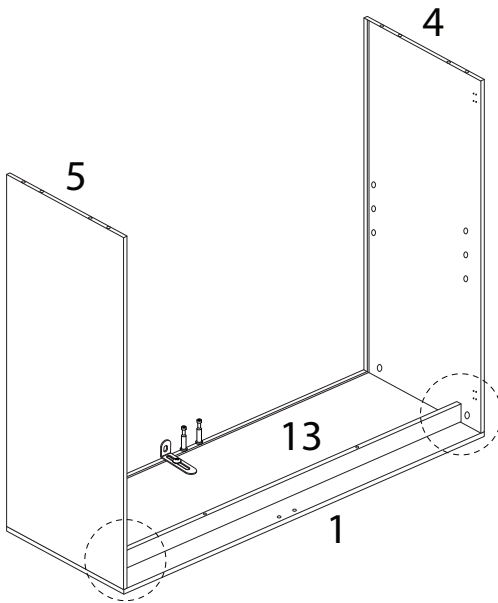
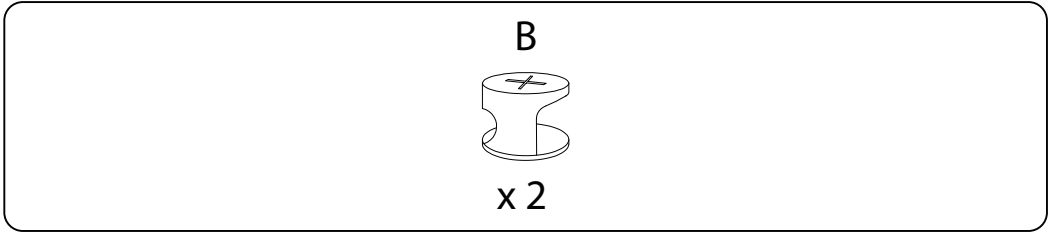
8



9

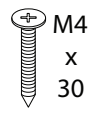


10

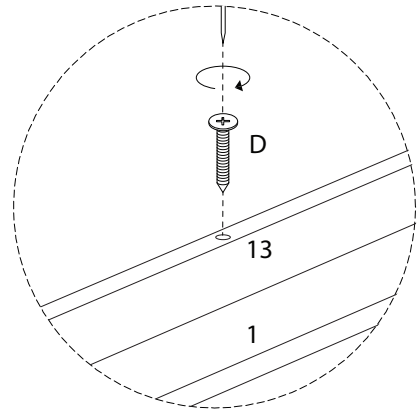
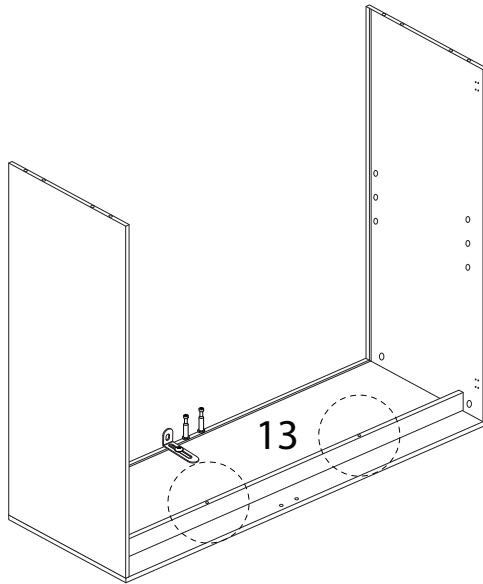


11

D

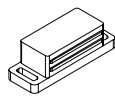


x 2



12

E

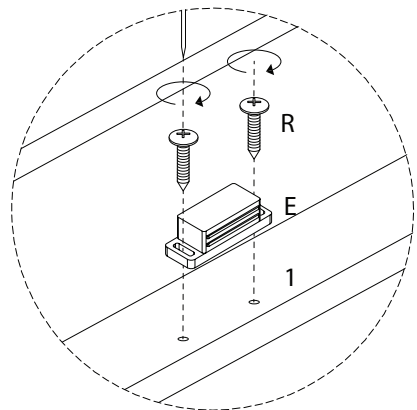
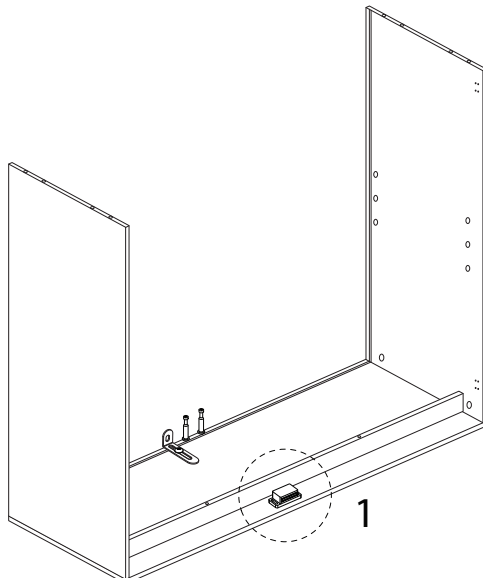


x 1

R



x 2

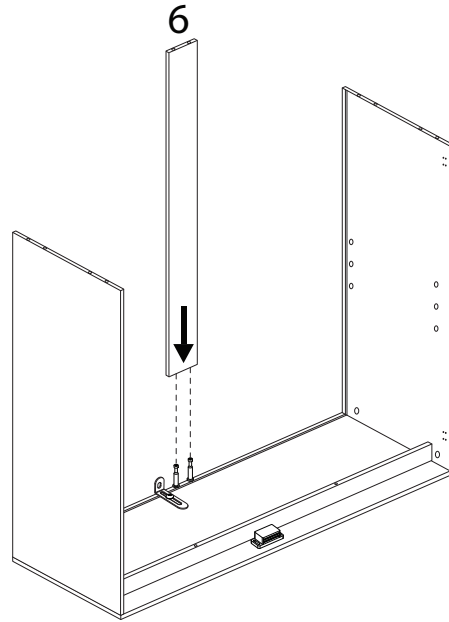


13

6



x 1

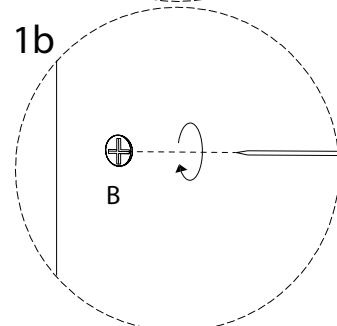
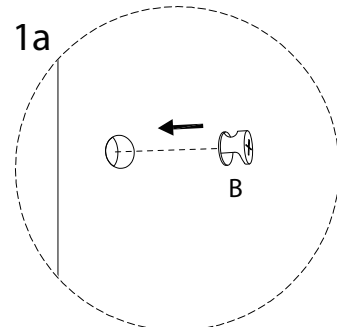
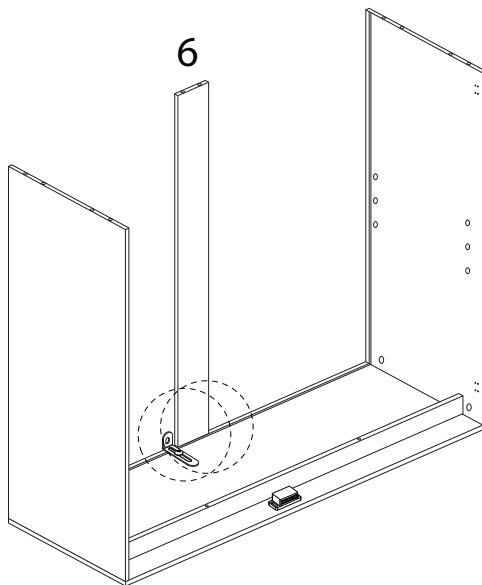


14

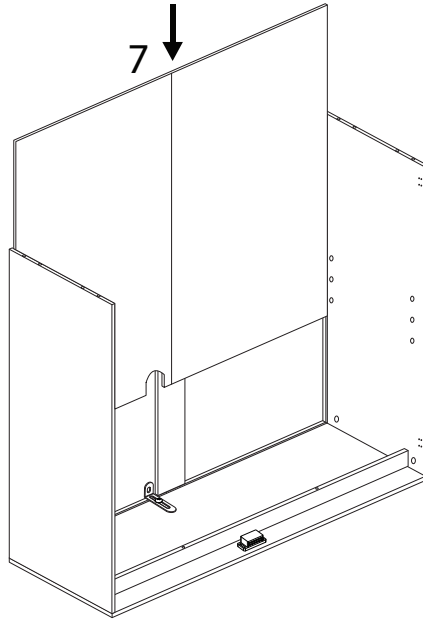
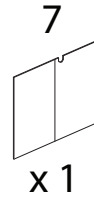
B



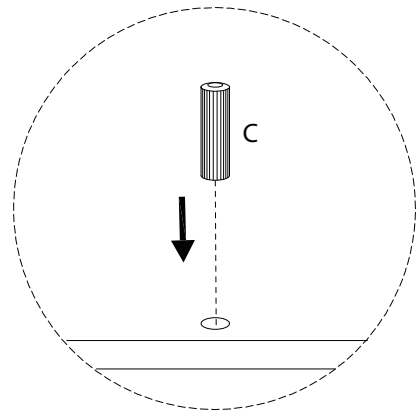
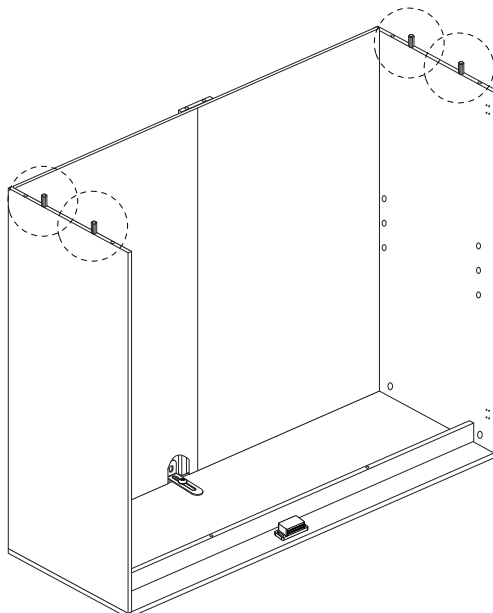
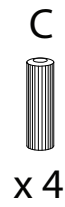
x 2



15

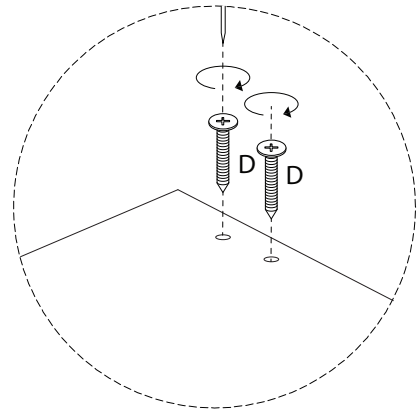
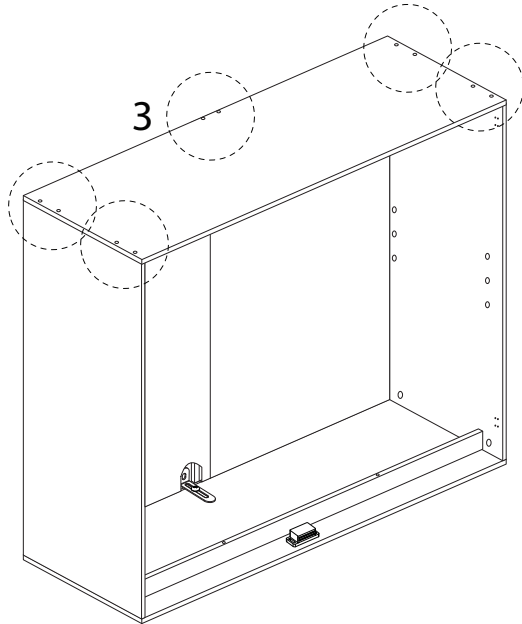


16



17

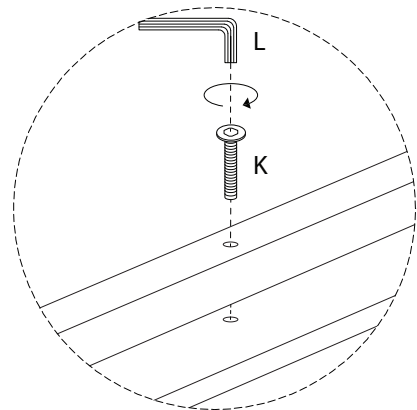
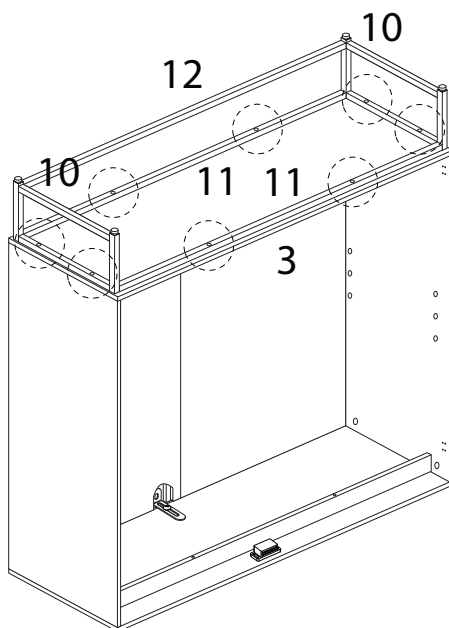
D  
M4  
x  
30  
x 6



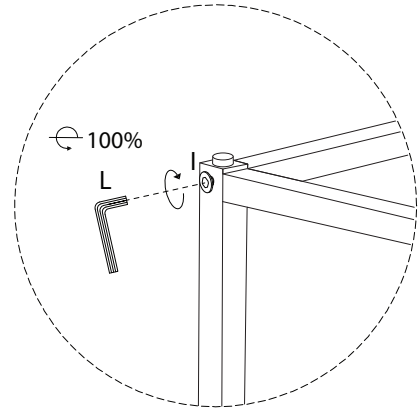
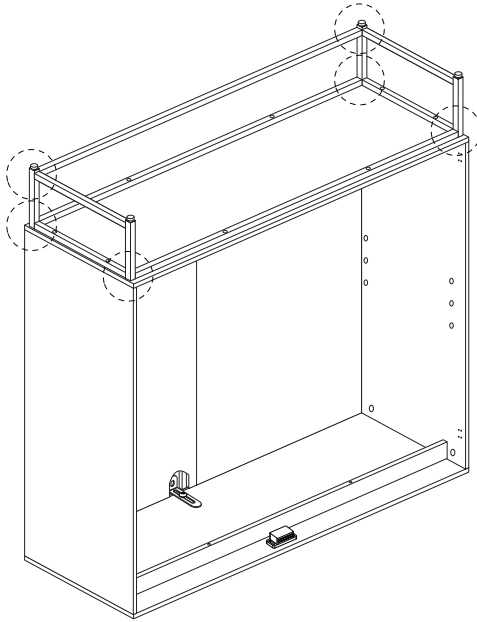
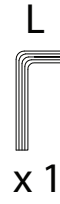
18

K  
M6  
x  
30  
x 8

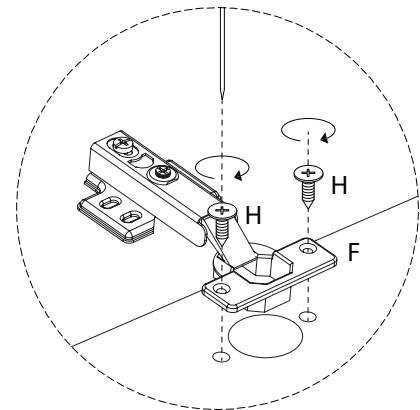
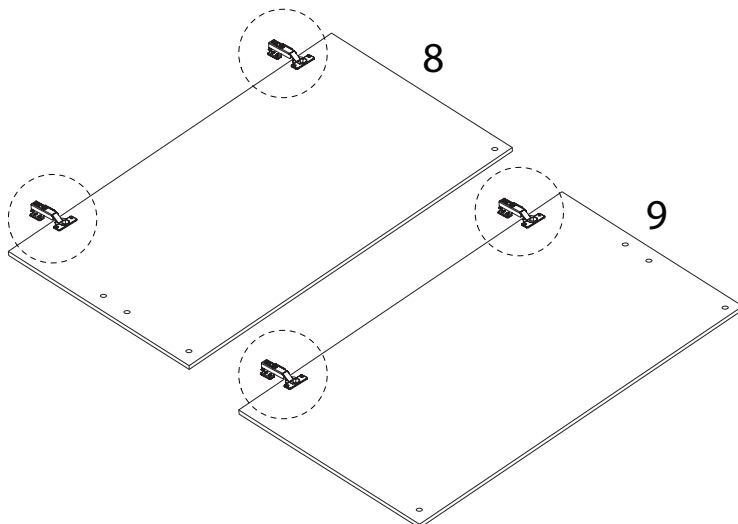
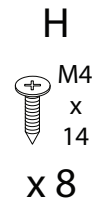
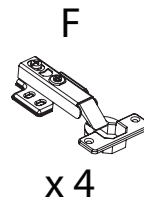
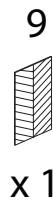
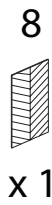
L  
x 1



19

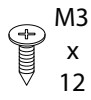


20



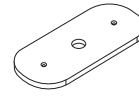
21

J

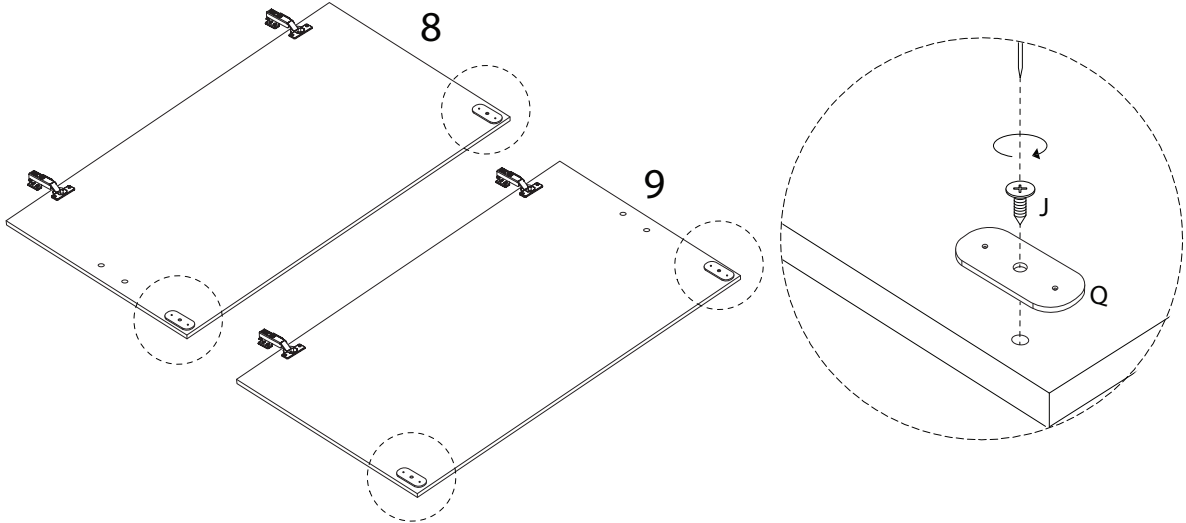


x 4

Q



x 4



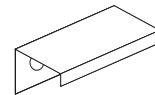
22

J

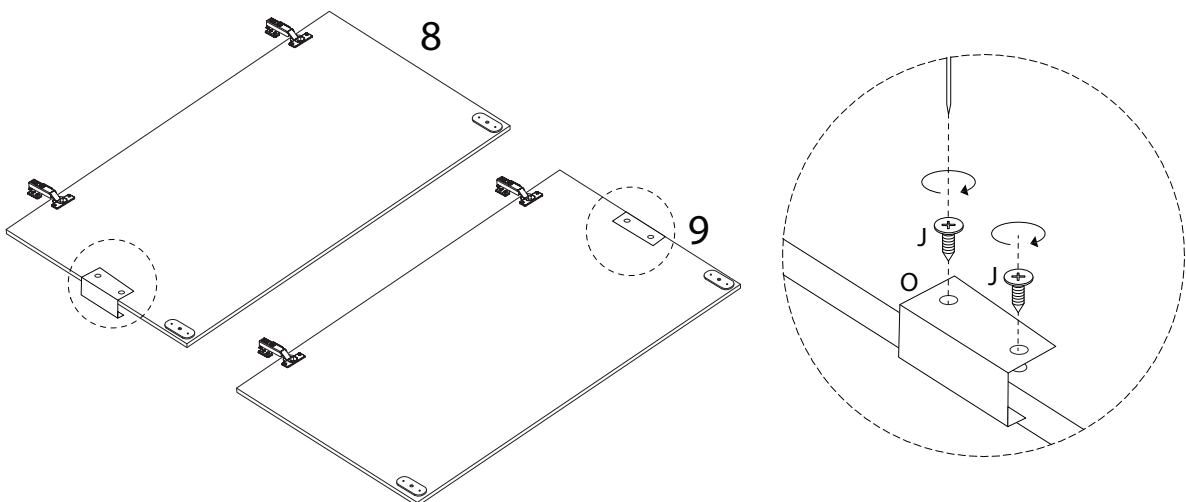


x 4

O



x 2



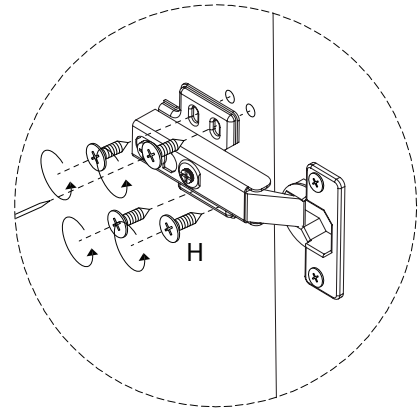
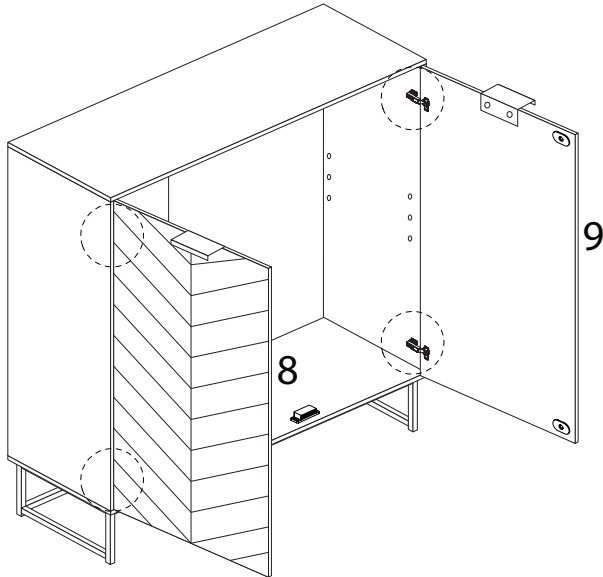


23

H

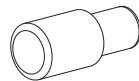


x 16

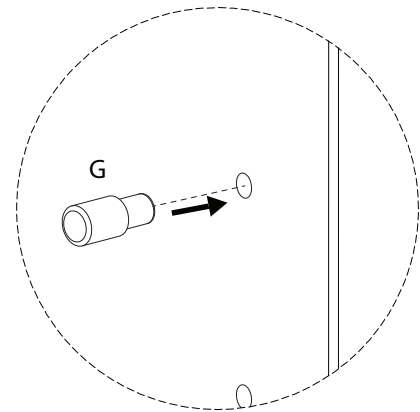
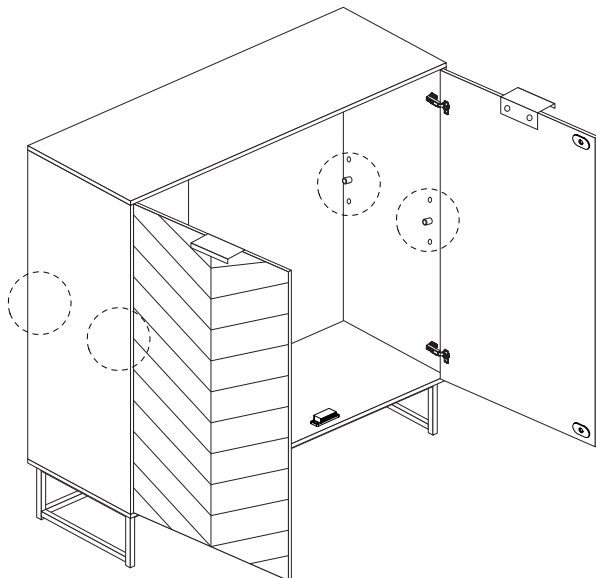


24

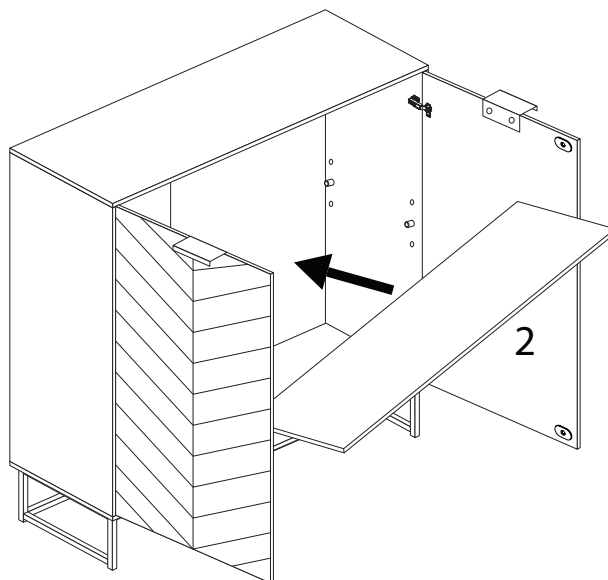
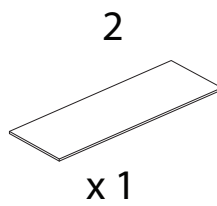
G



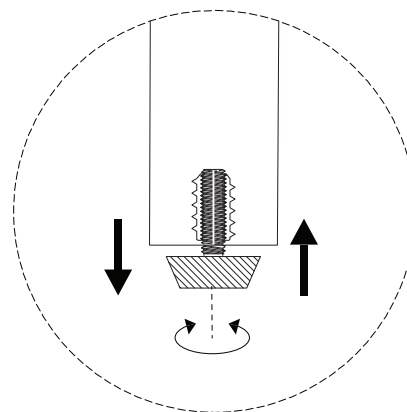
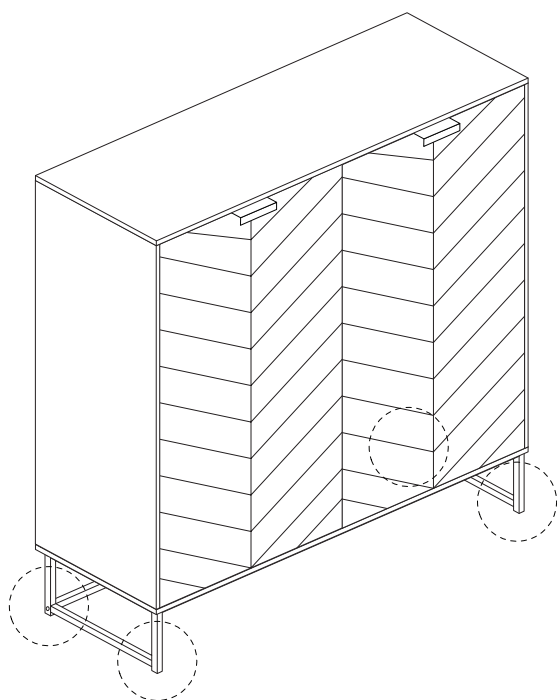
x 4



25

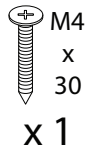


26

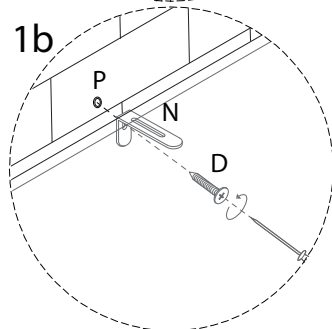
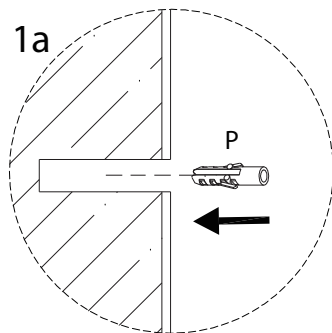
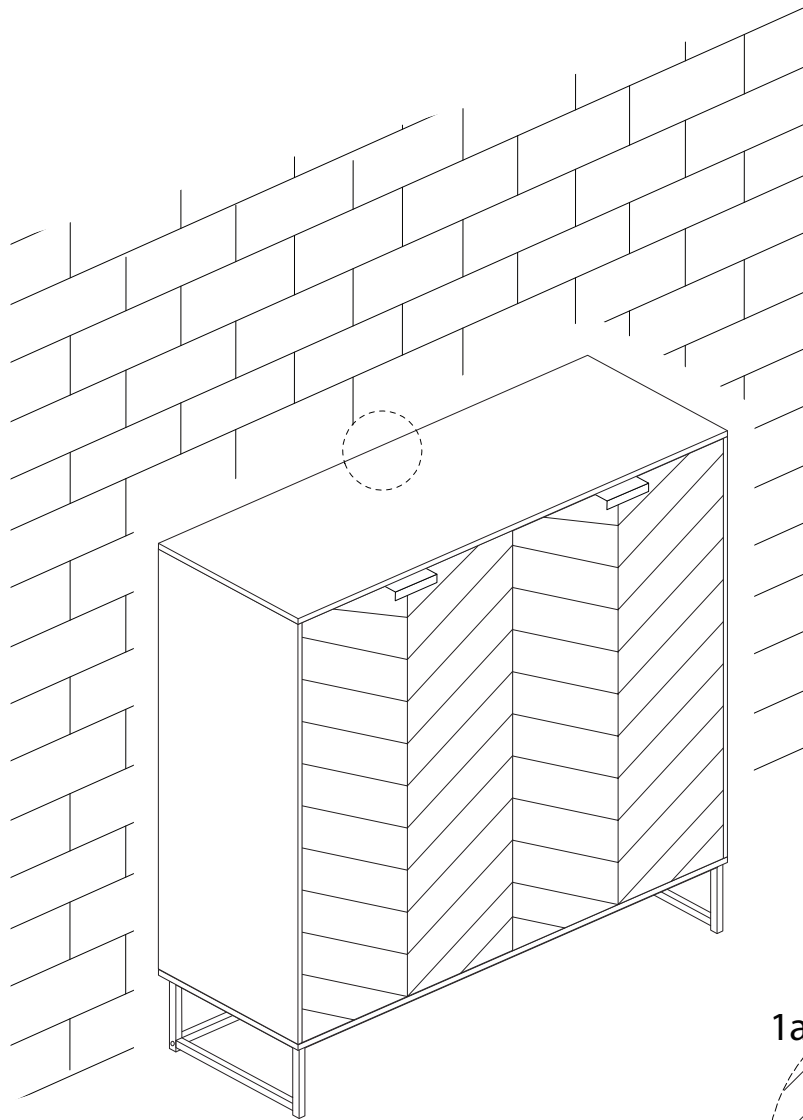
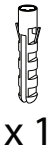


27

D



P



!

