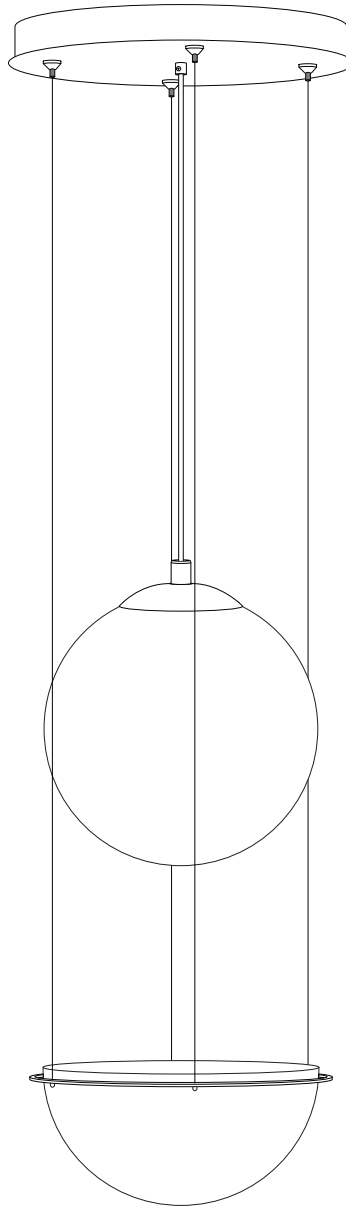
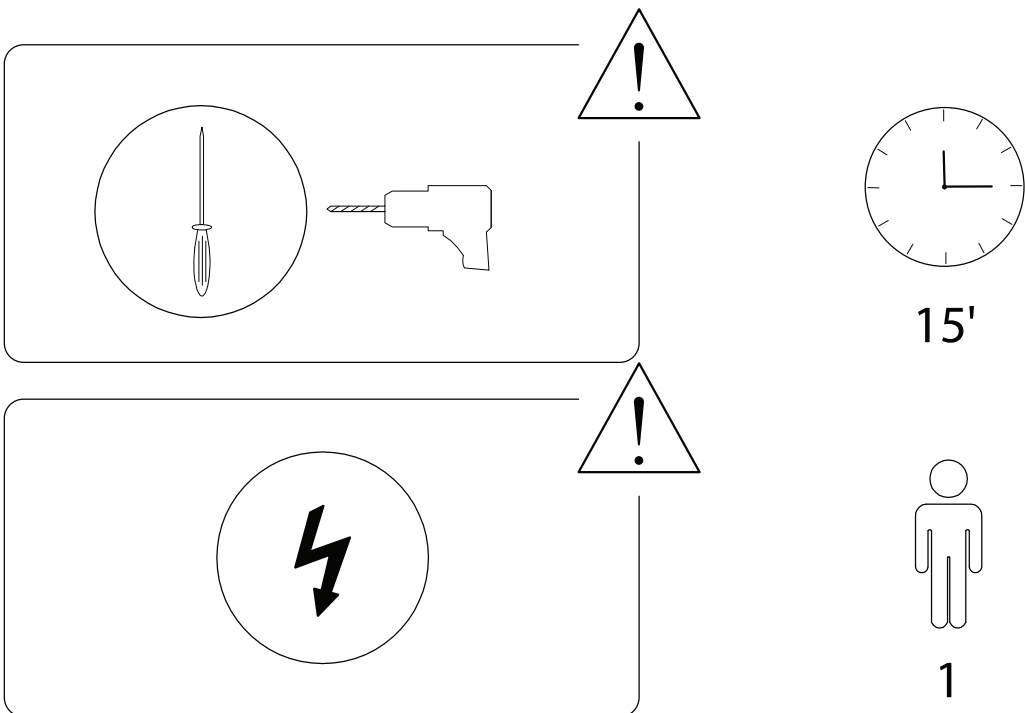
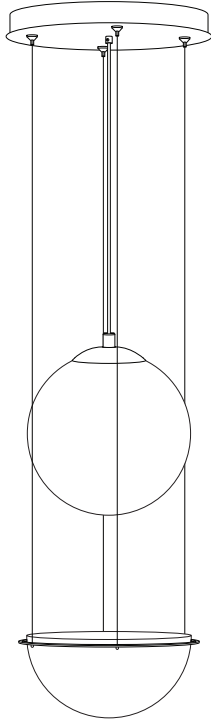
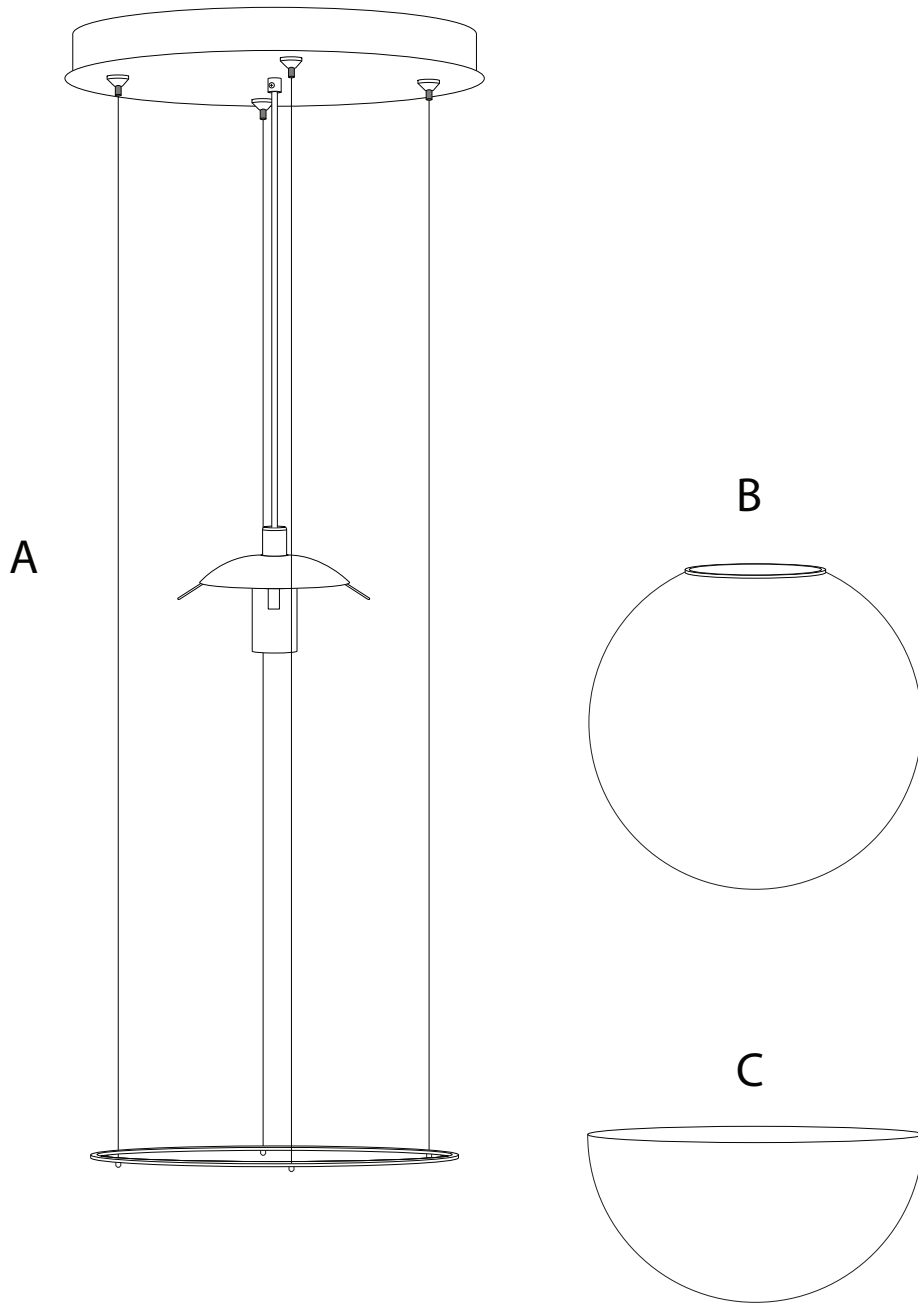


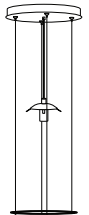

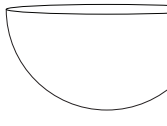
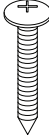
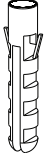
TOBINS



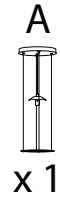


1/6

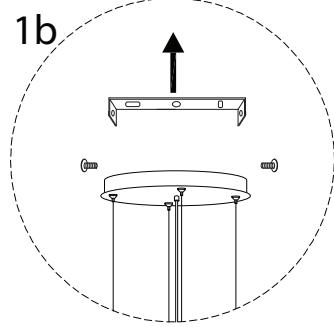
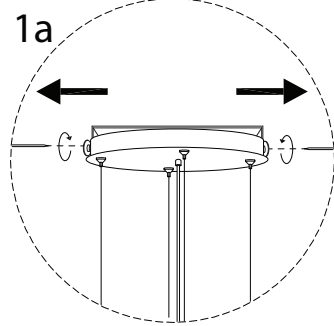
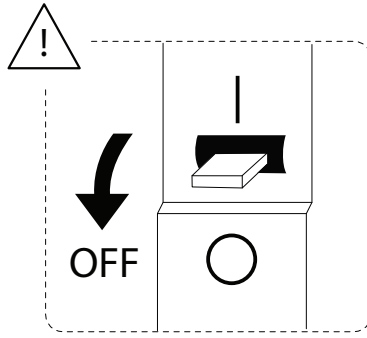
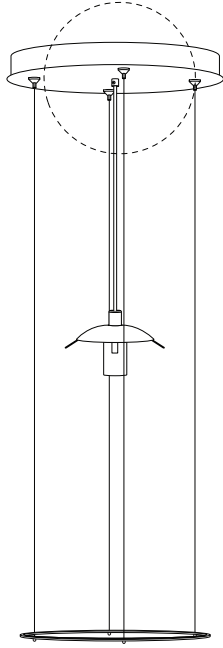


A	B	C	D	E
				
x 1	x 1	x 1	x 2	x 2

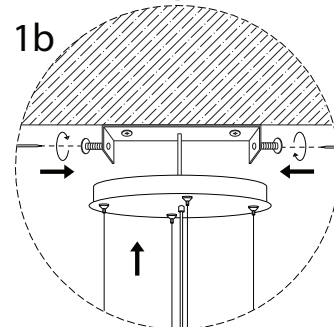
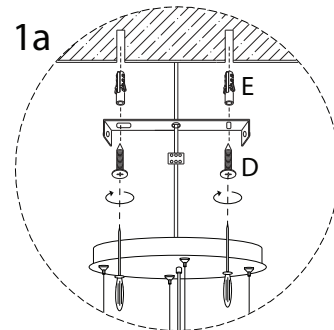
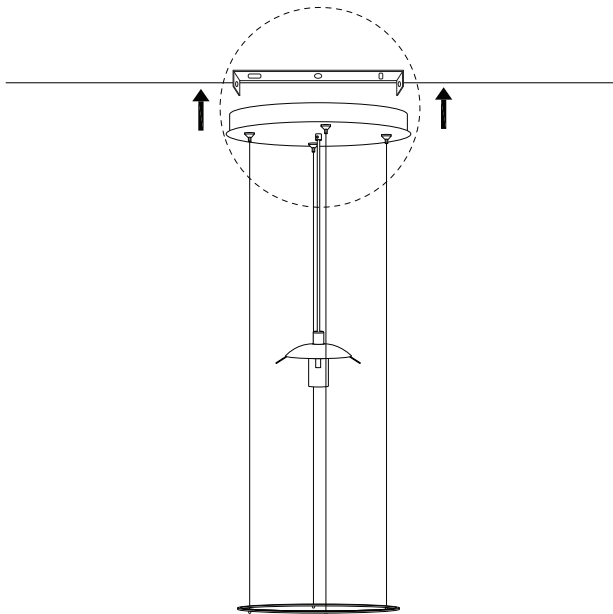
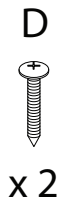
1



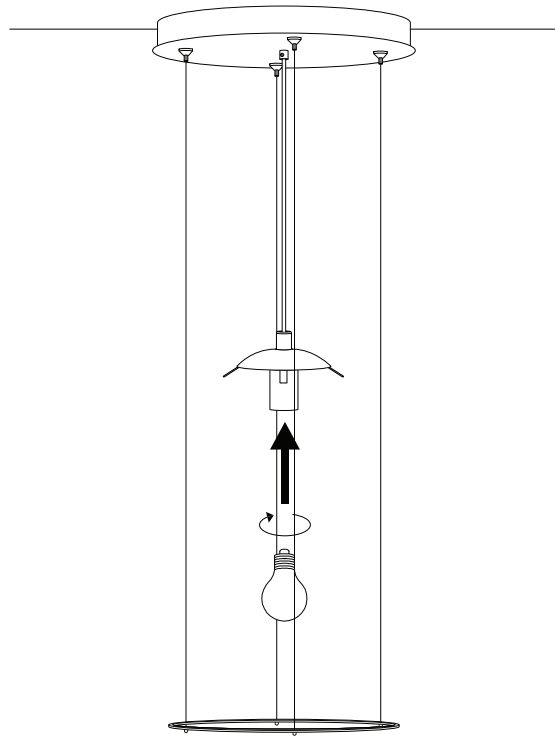
A



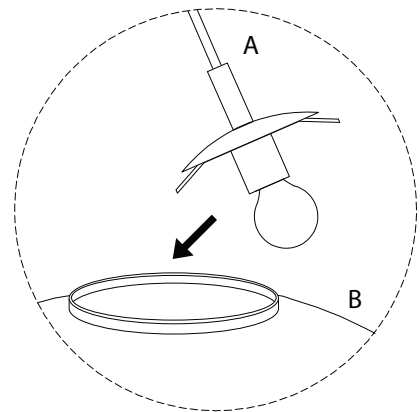
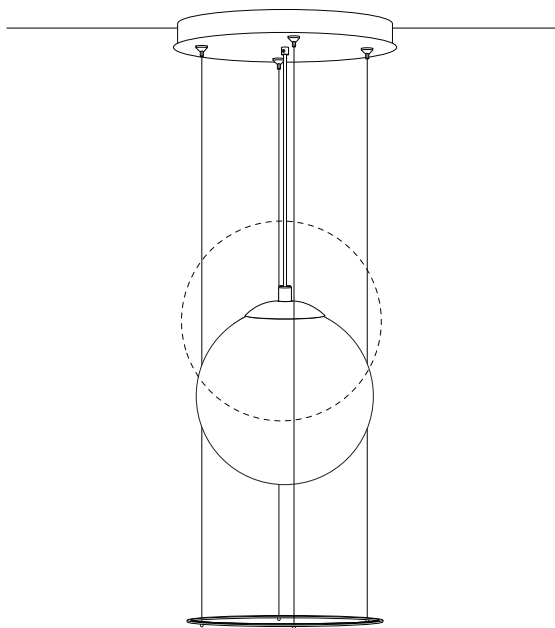
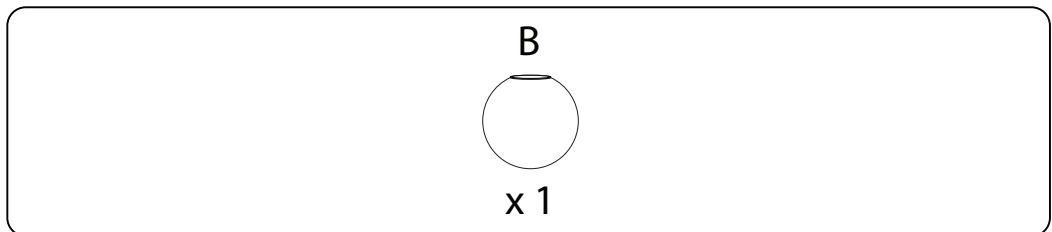
2



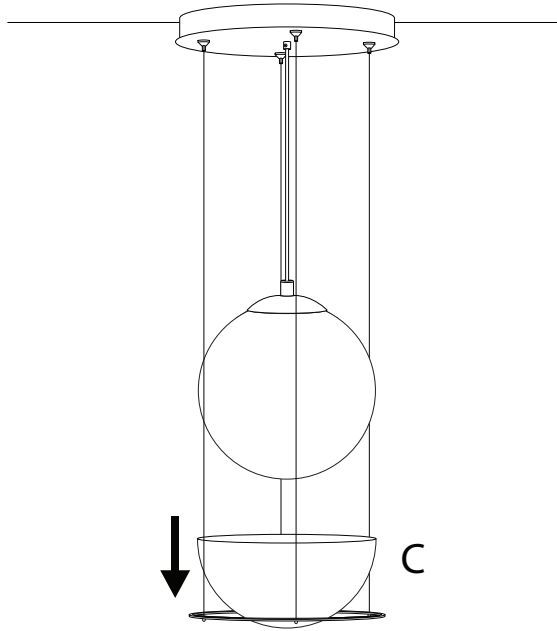
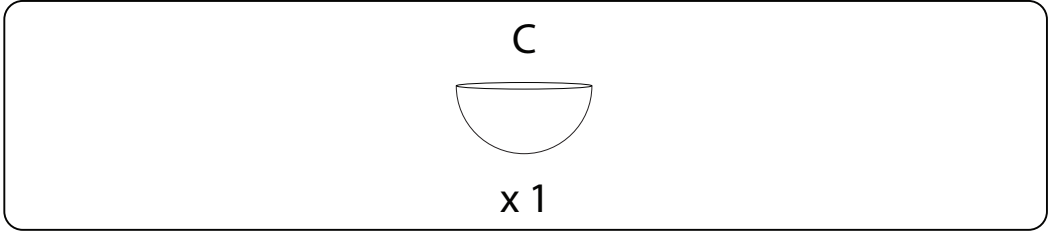
3



4



5



!

