



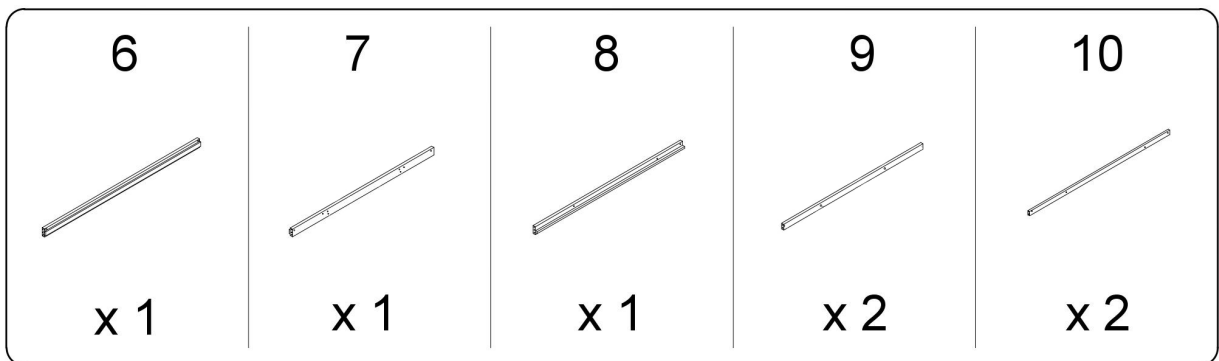
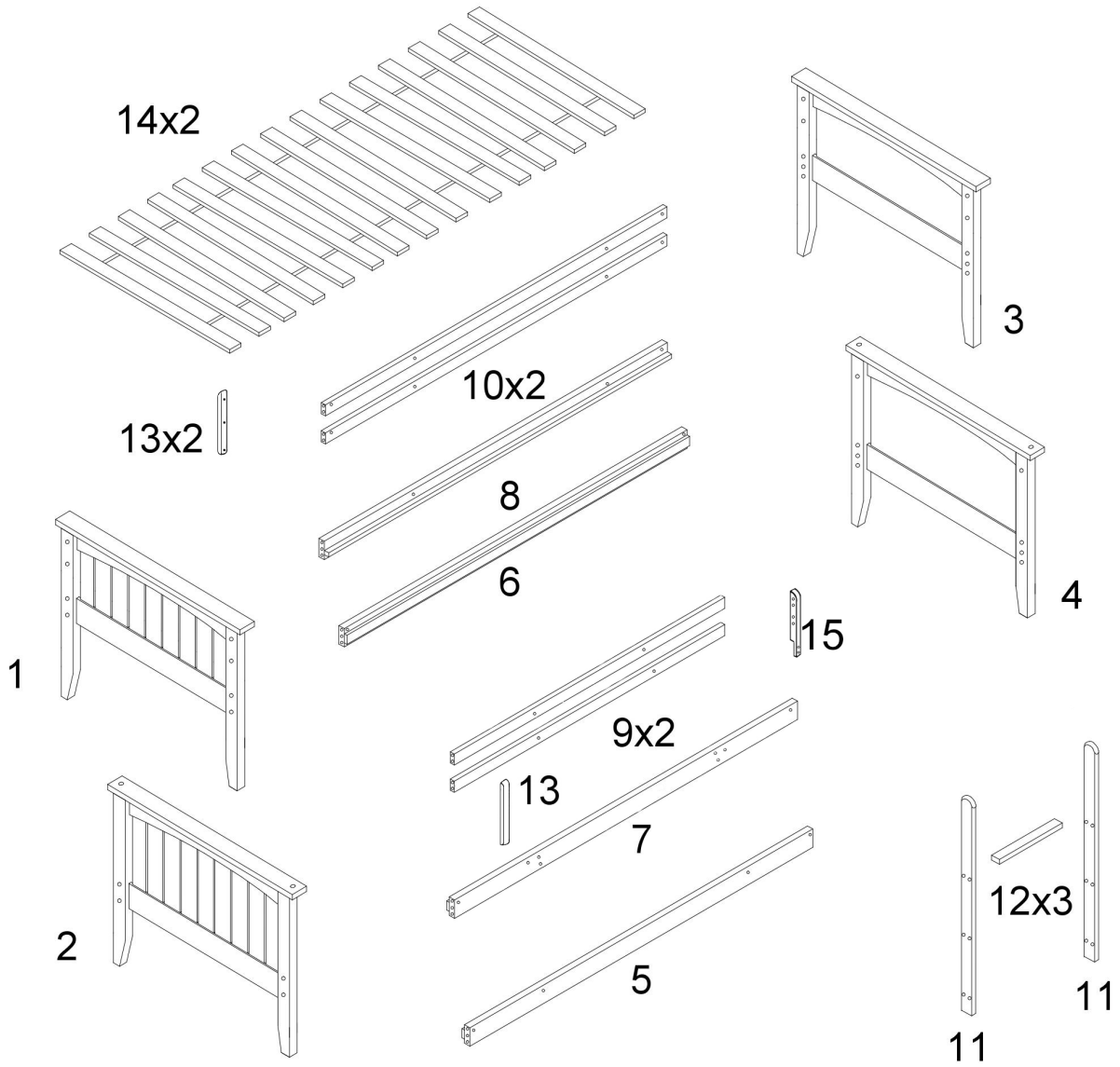
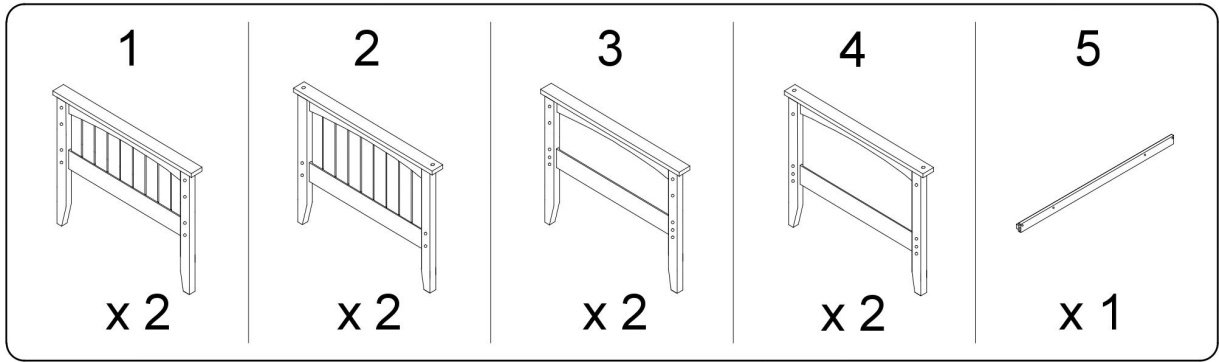
Assembly instructions for the bunk bed frame, including tool requirements, time estimate, and safety warnings.


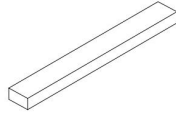

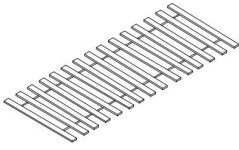




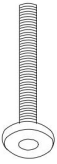
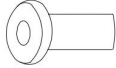
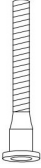
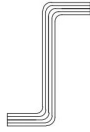
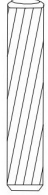

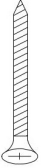



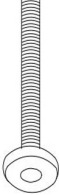
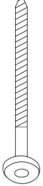
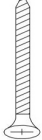

Tools: A circular icon contains a screwdriver and two L-shaped brackets. A power drill is shown with a diagonal line through it, indicating it is not required.

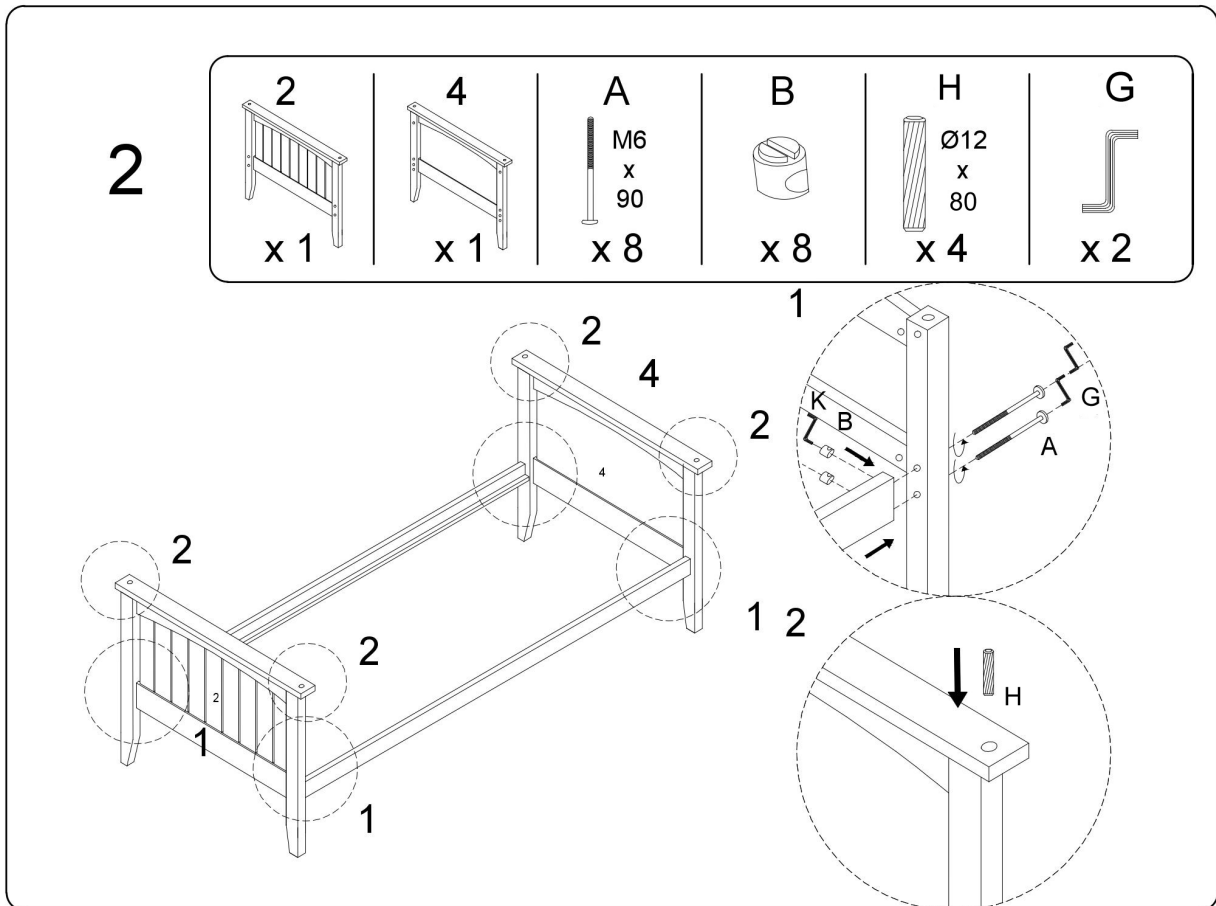
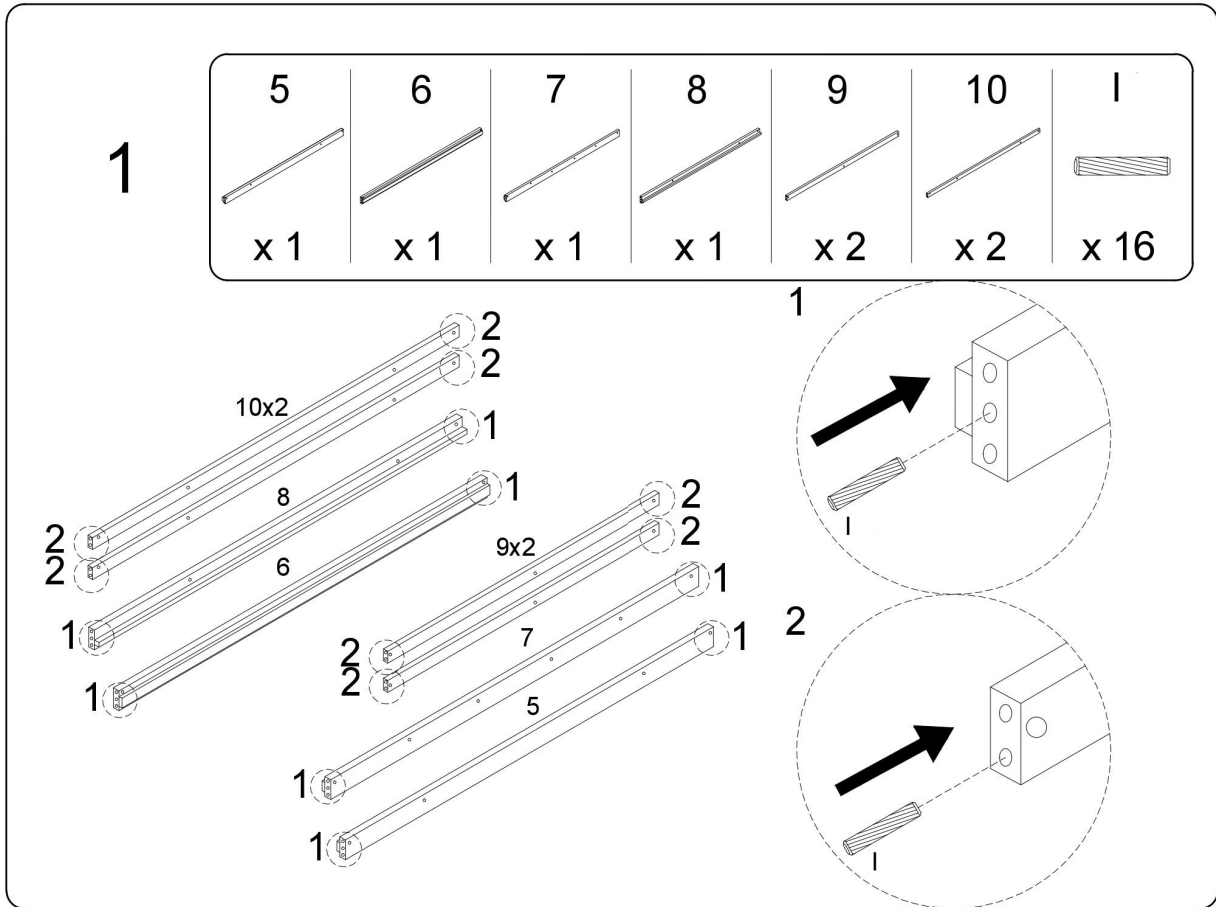
Time: A clock icon is shown above the text "120'".

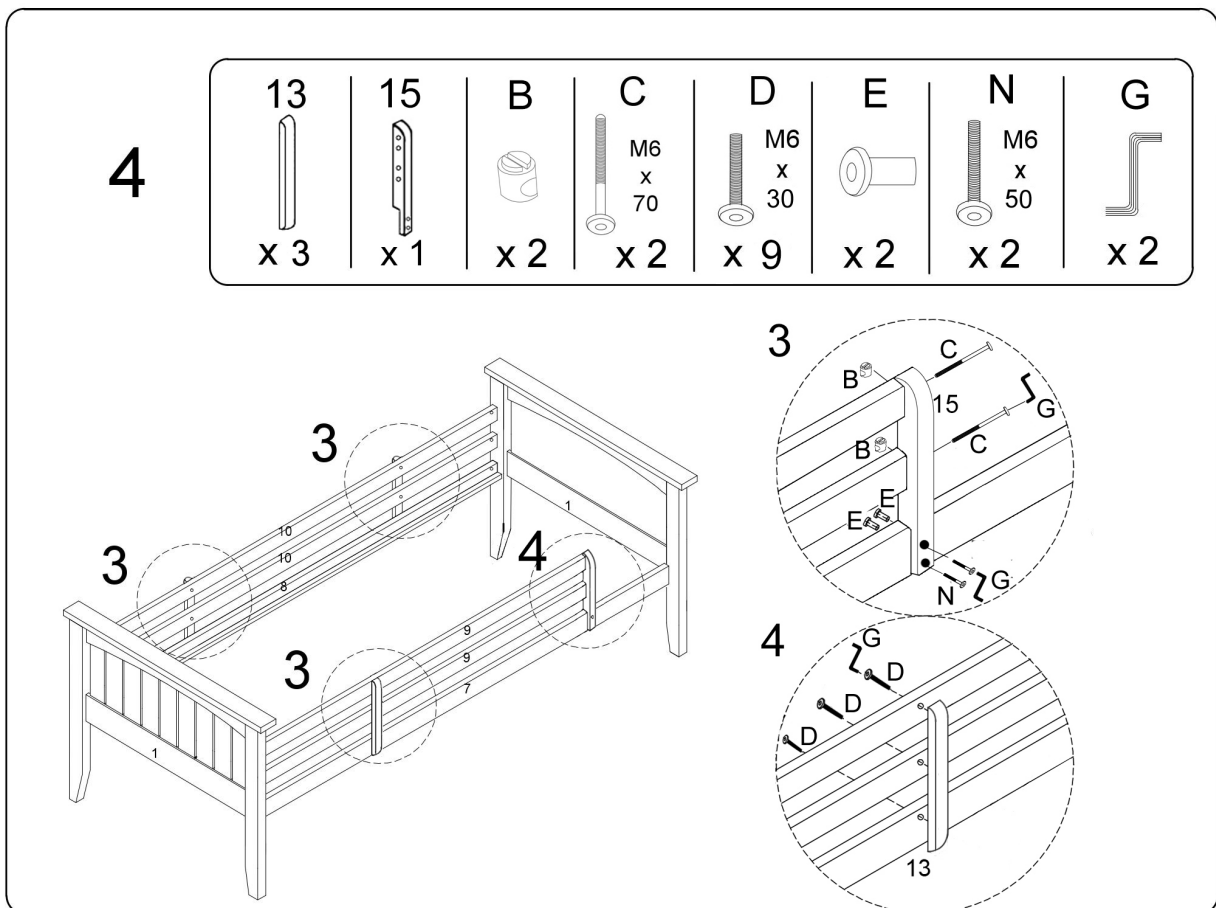
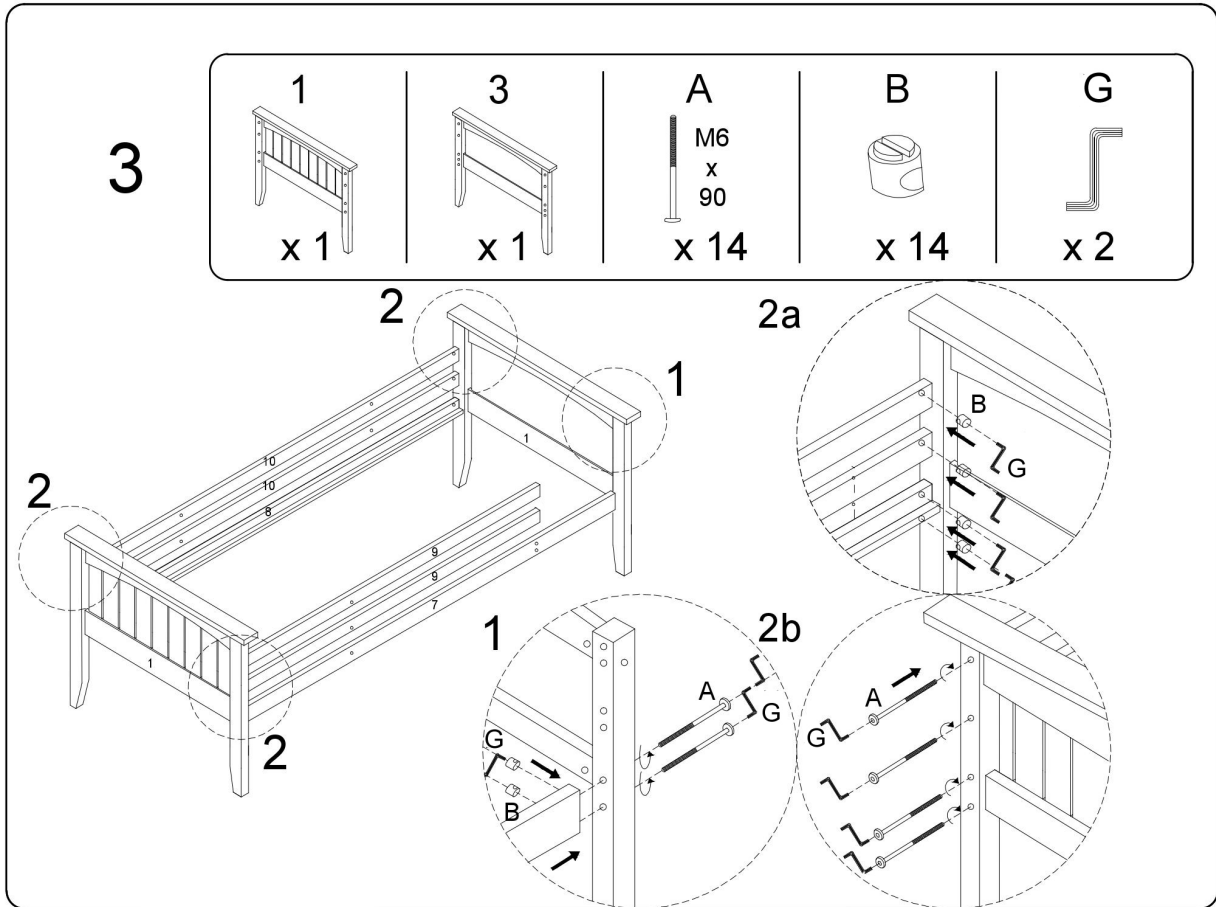
Warnings: Two triangular warning icons with exclamation marks are present. The top one is connected to the tool icons, and the bottom one is connected to the mattress icon.

Personnel: A stick figure icon is shown above the number "2", indicating that two people are required for assembly.



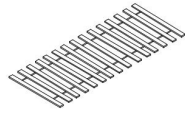
<p>11</p>  <p>x 2</p>	<p>12</p>  <p>x 3</p>	<p>13</p>  <p>x 3</p>	<p>14</p>  <p>x 2</p>	<p>15</p>  <p>x 1</p>
<p>A</p>  <p>M6 x 90</p> <p>x 22</p>	<p>B</p>  <p>x 24</p>	<p>C</p>  <p>M6 x 70</p> <p>x 2</p>	<p>D</p>  <p>M6 x 30</p> <p>x 9</p>	
<p>E</p>  <p>x 2</p>	<p>F</p>  <p>Ø7 x 60</p> <p>x 12</p>	<p>G</p>  <p>x 2</p>	<p>H</p>  <p>Ø12 x 80</p> <p>x 4</p>	
<p>I</p>  <p>Ø8 x 30</p> <p>x 16</p>	<p>J</p>  <p>Ø4 x 30</p> <p>x 64</p>	<p>K</p>  <p>Ø8</p> <p>x 12</p>	<p>L</p>  <p>x 2</p>	
<p>M</p>  <p>x 4</p>	<p>N</p>  <p>M6 x 50</p> <p>x 2</p>	<p>O</p>  <p>M6 x 70</p> <p>x 4</p>	<p>P</p>  <p>Ø4 x 25</p> <p>x 8</p>	<p>Q</p>  <p>Ø10</p> <p>x 2</p>





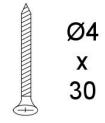
5

14

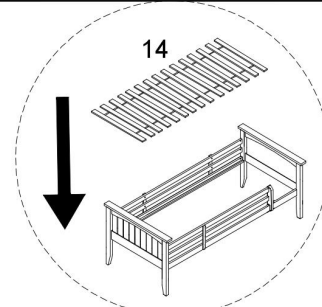
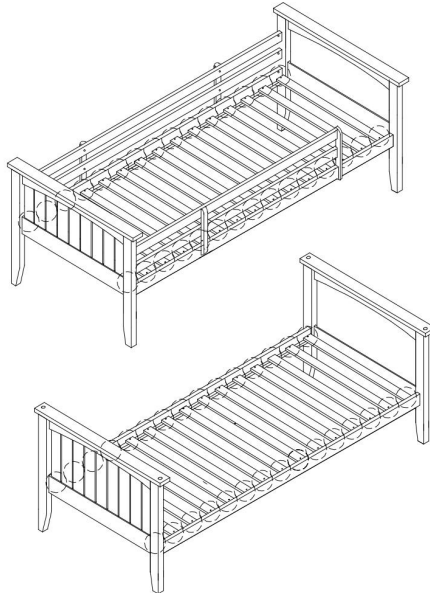


x 2

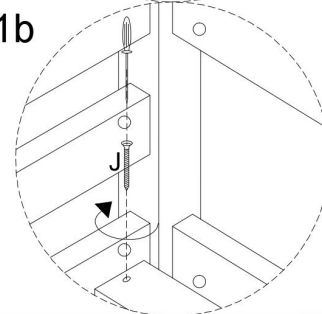
J



x 60

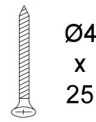


1b



6

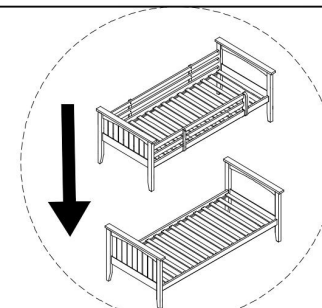
P



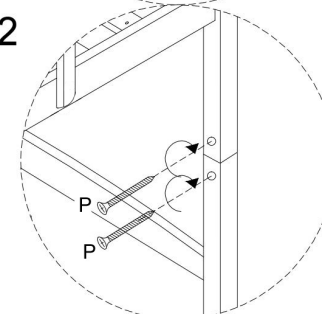
x 8



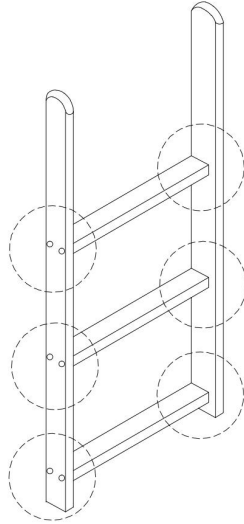
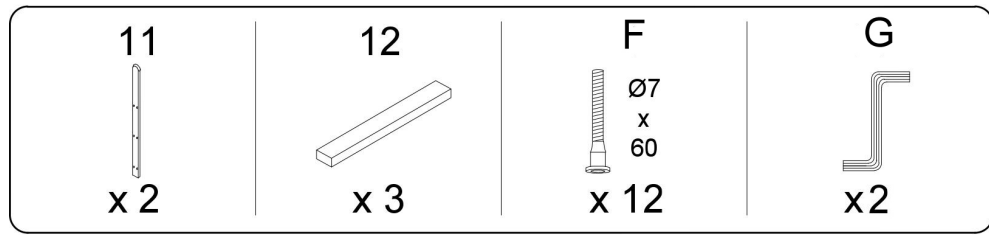
1



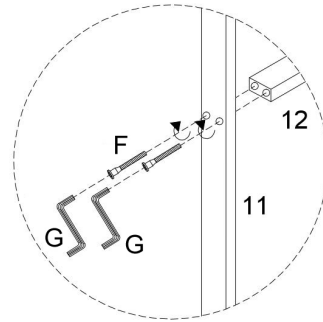
2



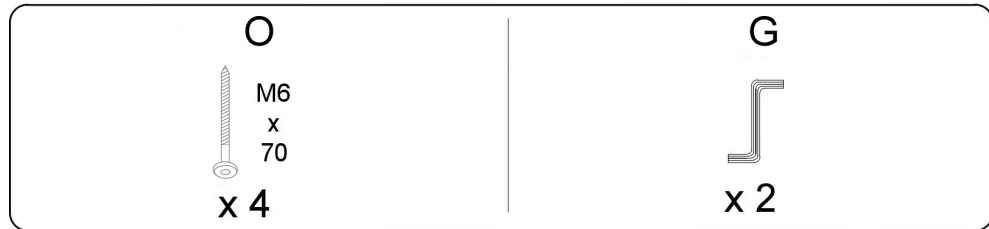
7



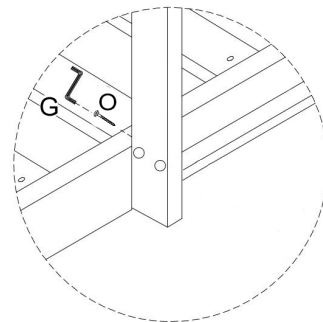
1



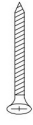




8

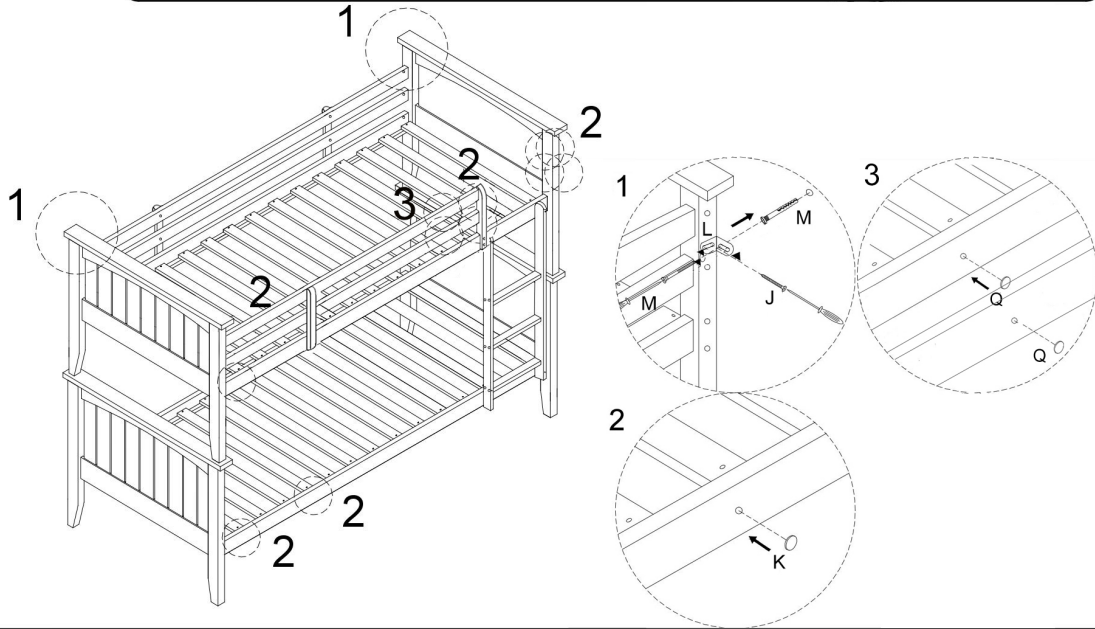


1



9

J  Ø4 x 30 x 4	K  Ø8 x 12	L  x 2	M  x 4	Q  Ø10 x 2
--	---	--	---	---



!

