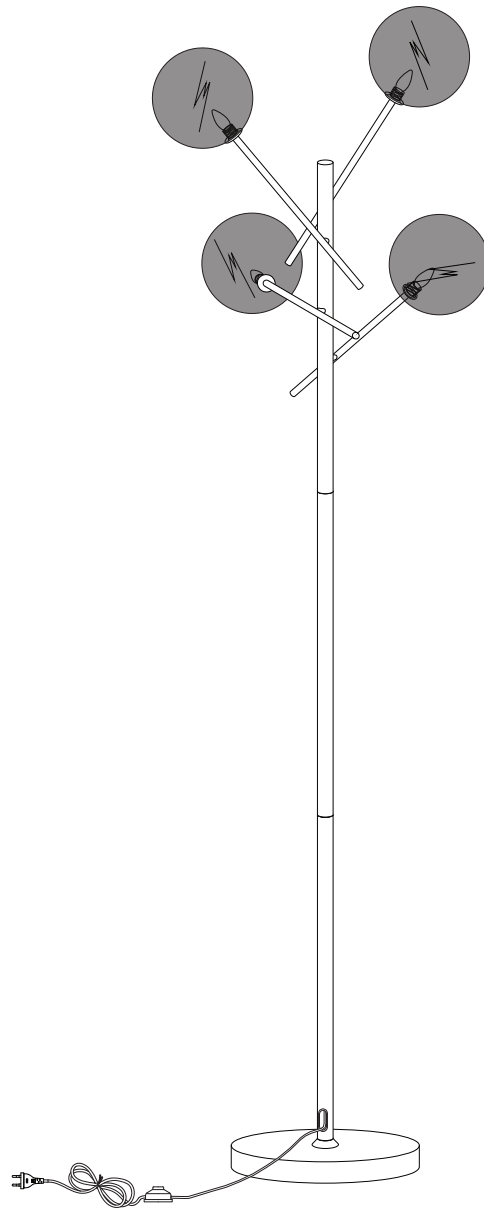
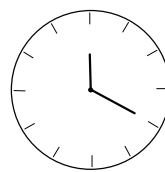
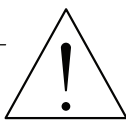
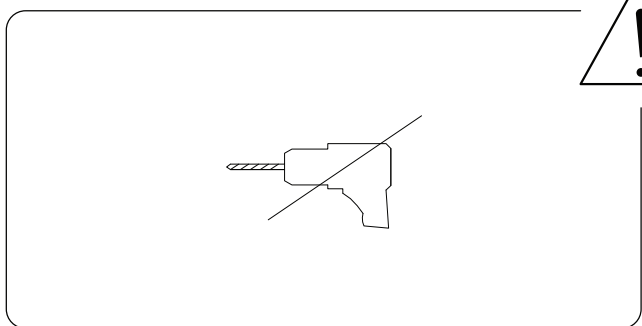
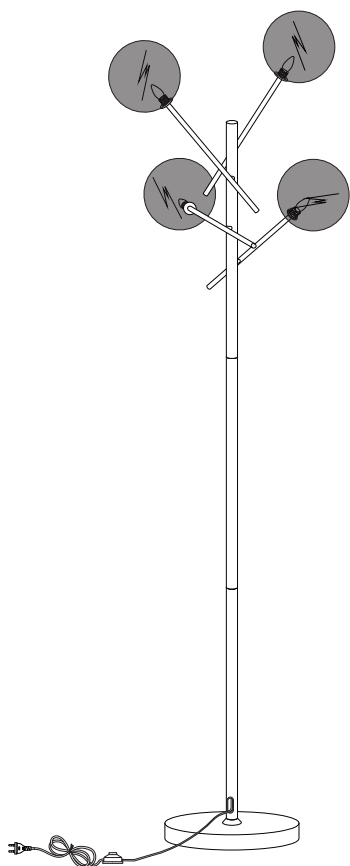
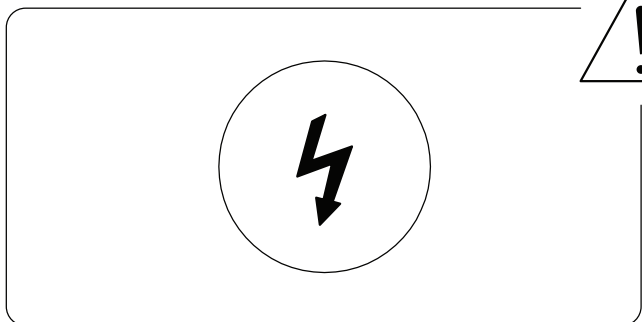


TAMESI



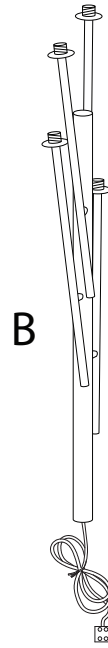
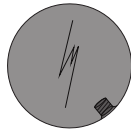


20'



1

A x 4



B



C



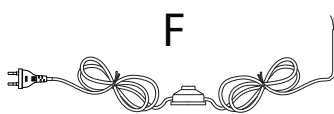
D



C

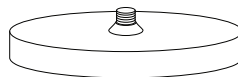


E



F

G



A



x 4

B



x 1

C



x 2

D



x 1

E



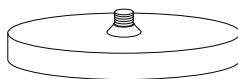
x 1

F



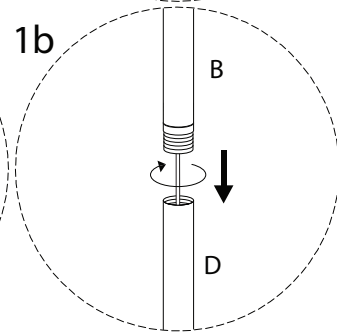
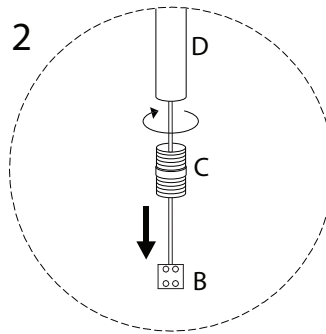
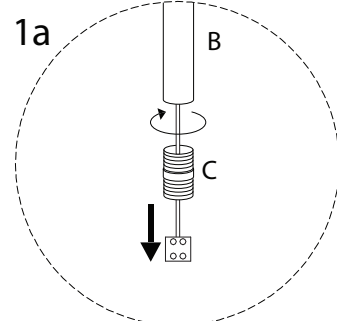
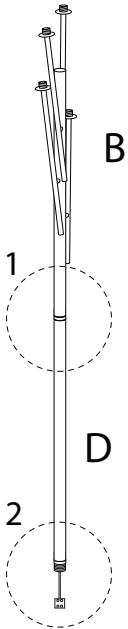
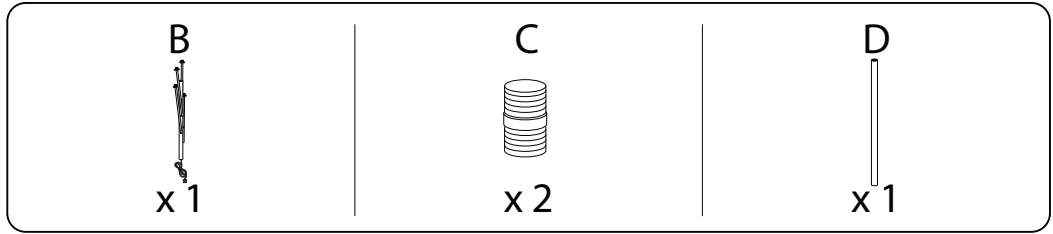
x 1

G

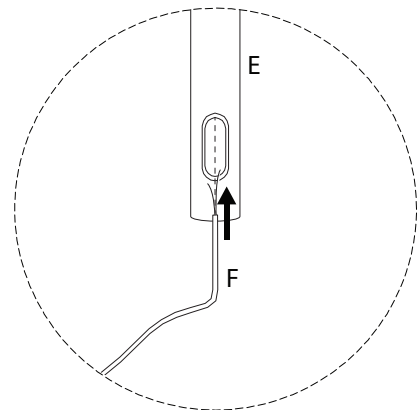
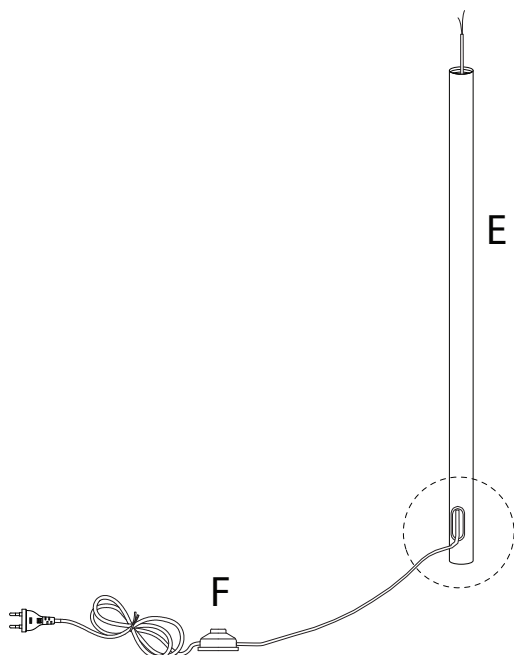
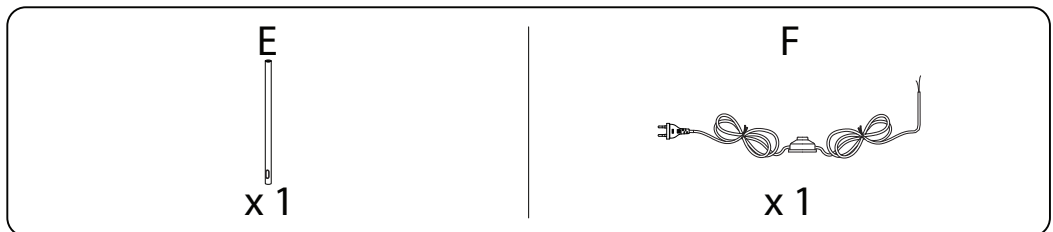


x 1

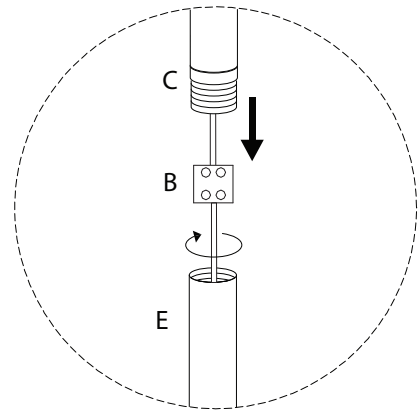
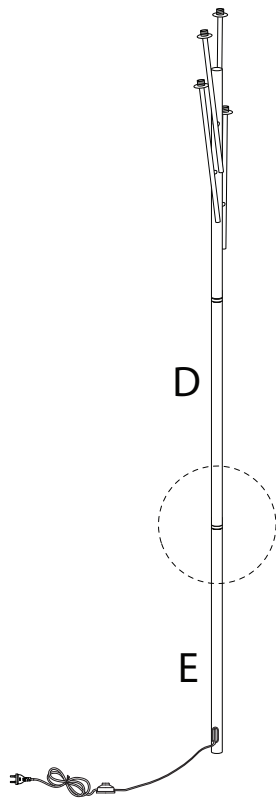
1



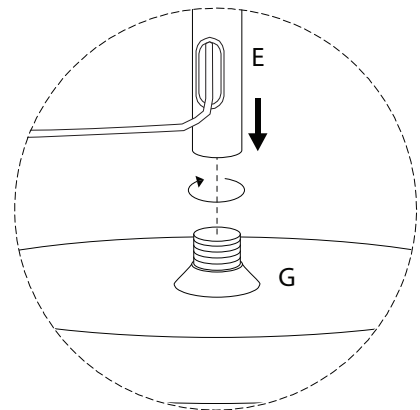
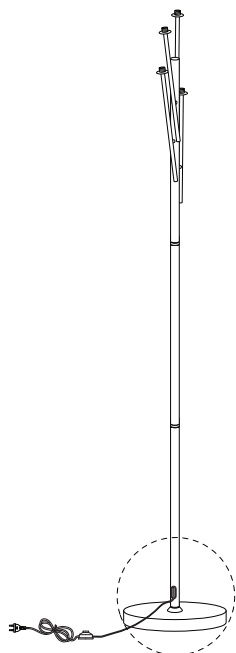
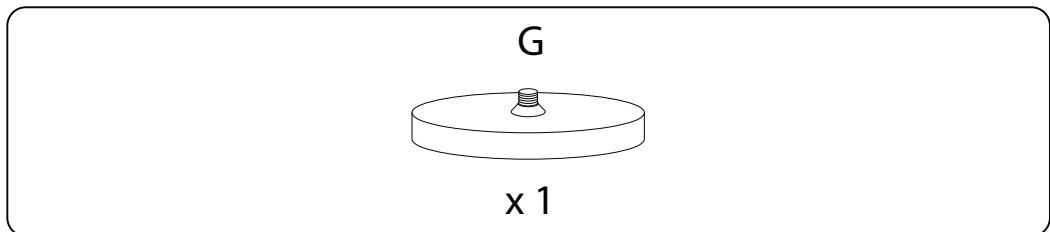
2



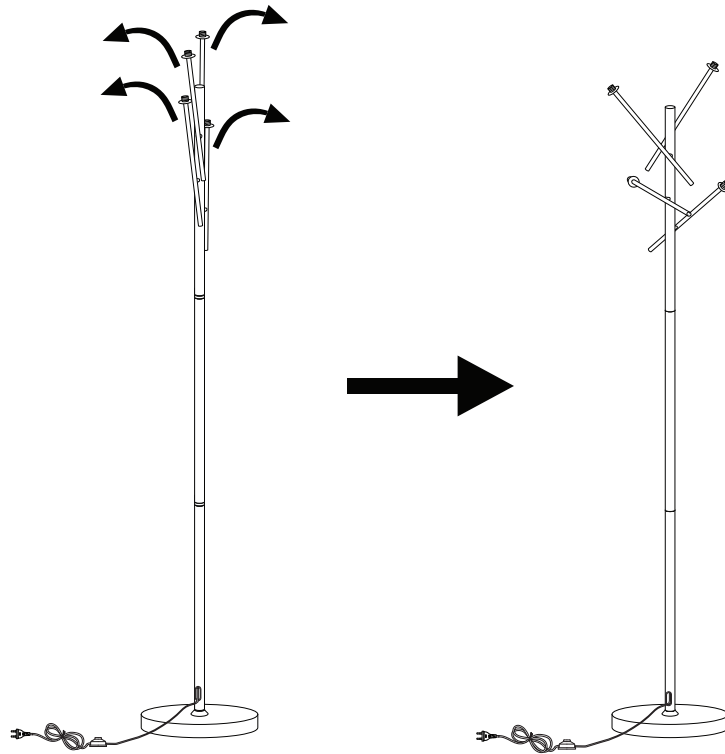
3



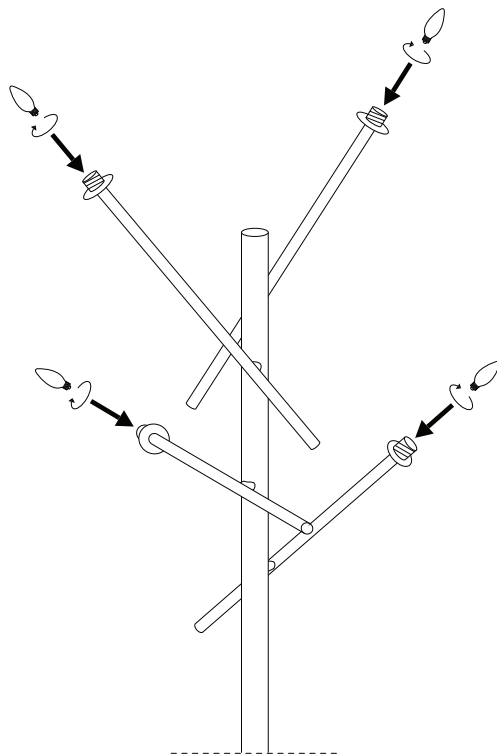
4



5



6

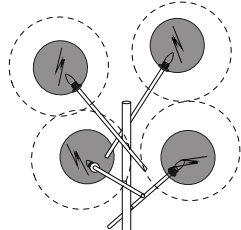


7

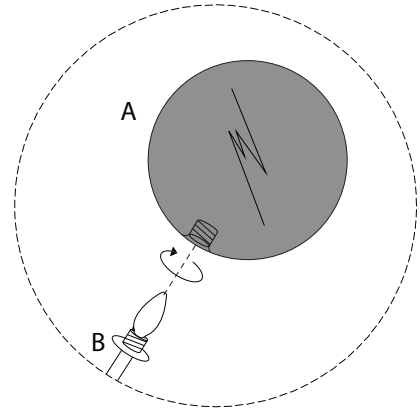
A



x 4



B



A

B