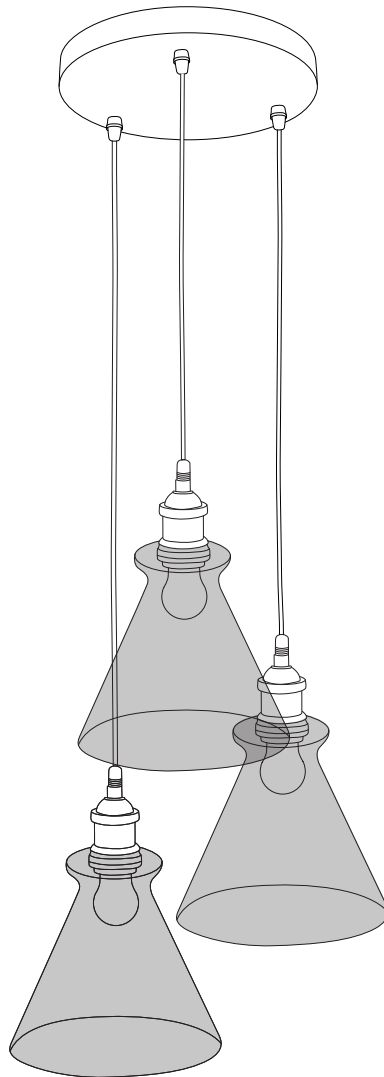
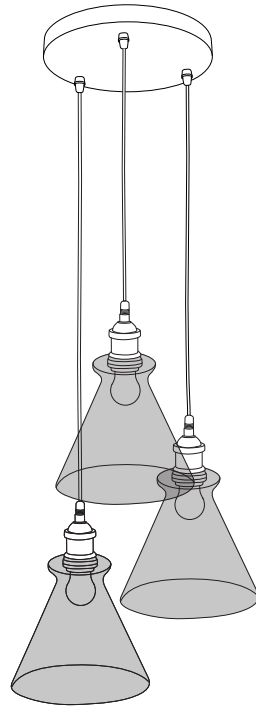
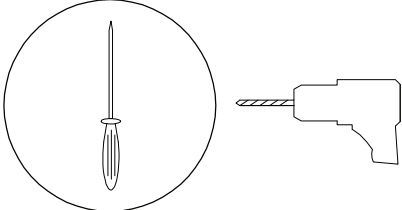

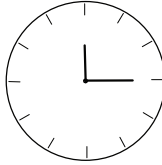
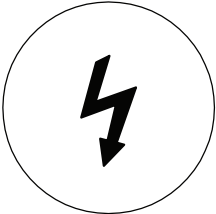


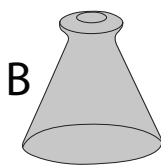
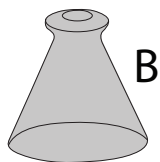
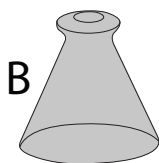
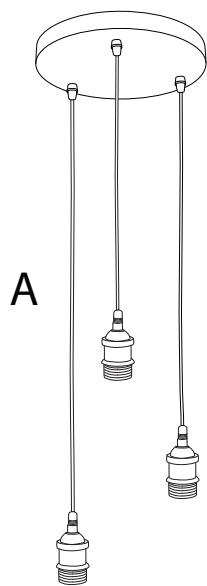


BERGANTES



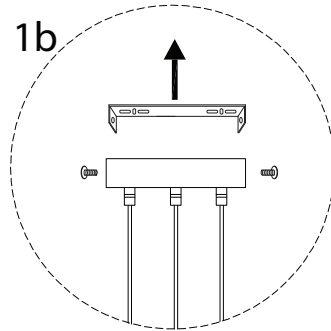
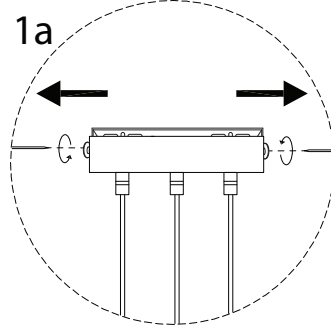
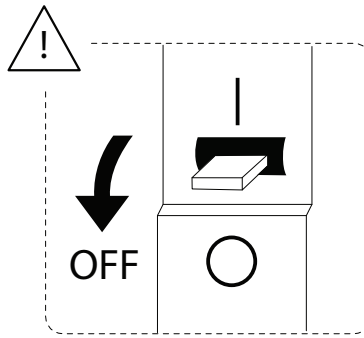
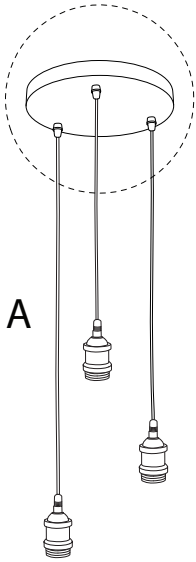


		
		15'
		
		1

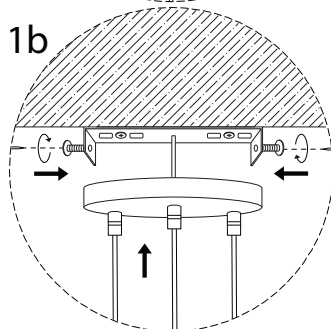
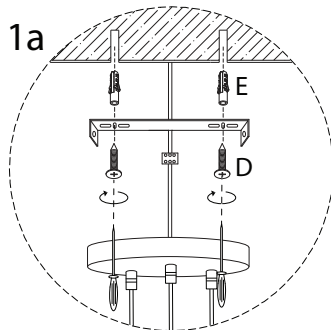
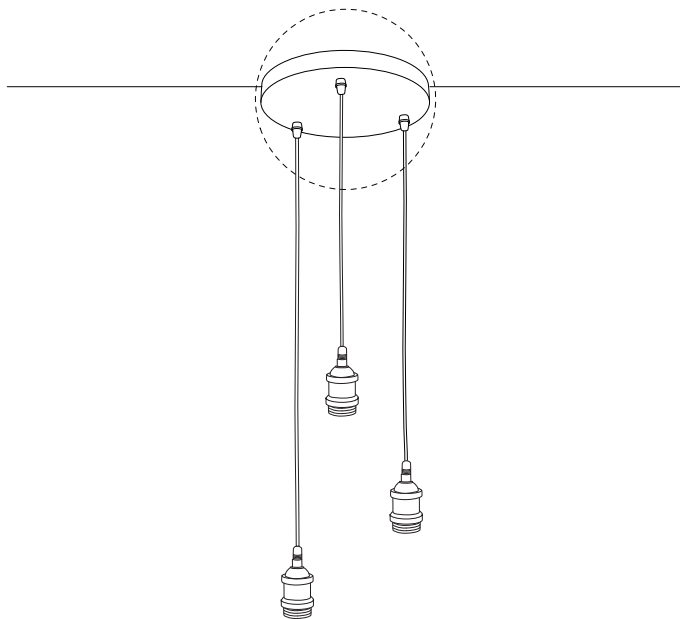
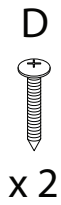


A	B	C	D	E
x 1	x 3	x 3	x 2	x 2

1



2



3

B

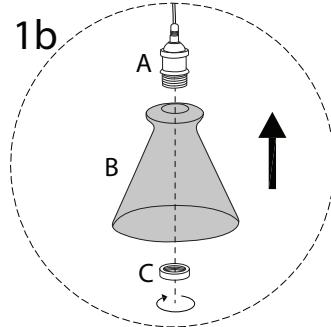
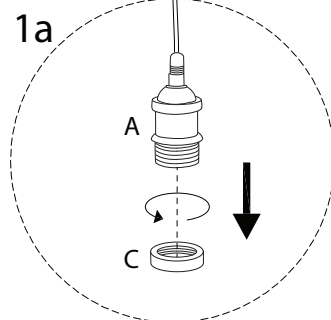
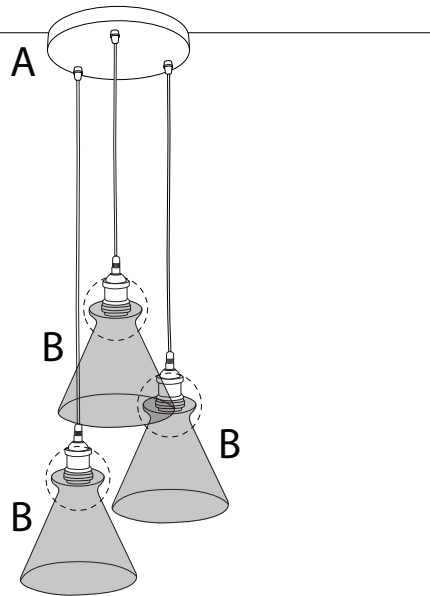


x 3

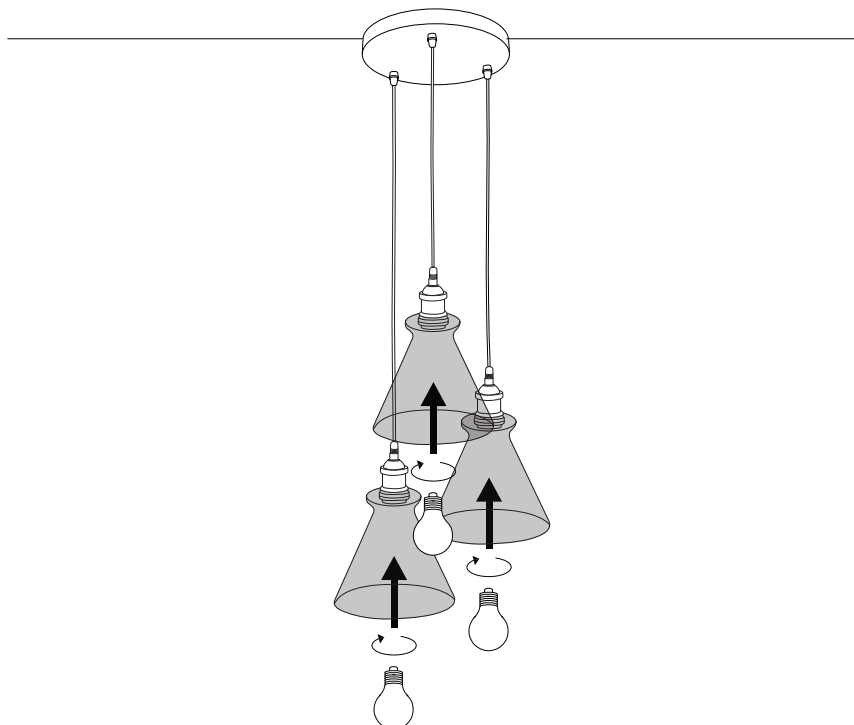
C



x 3



4



!

