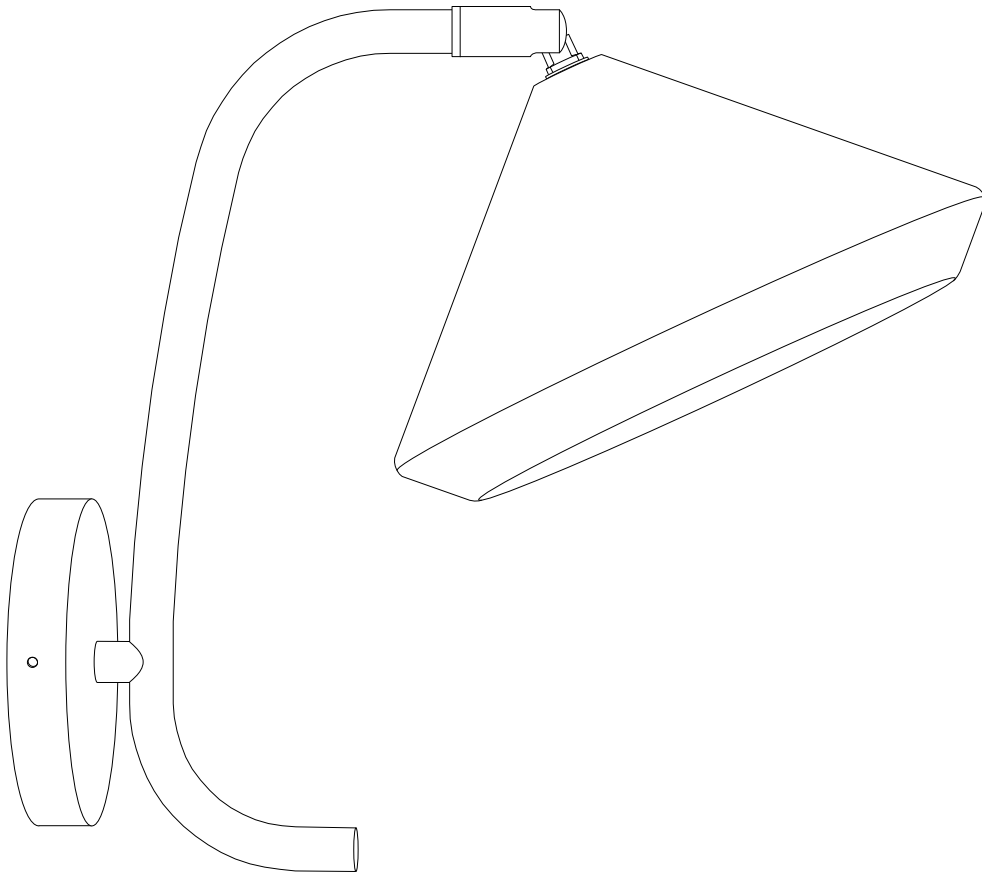
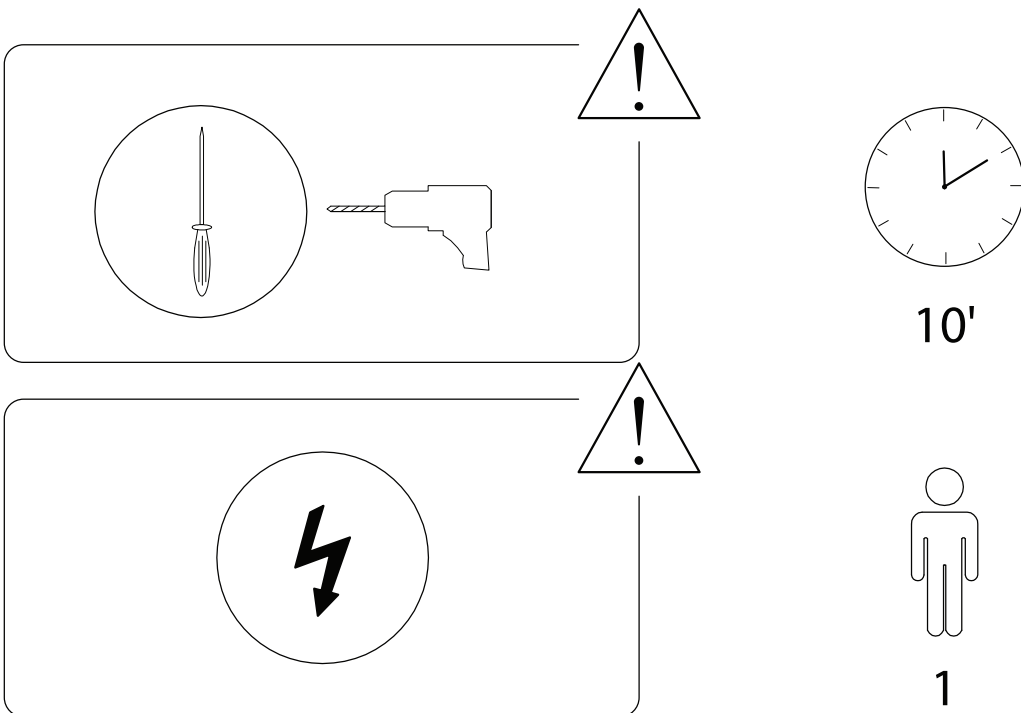
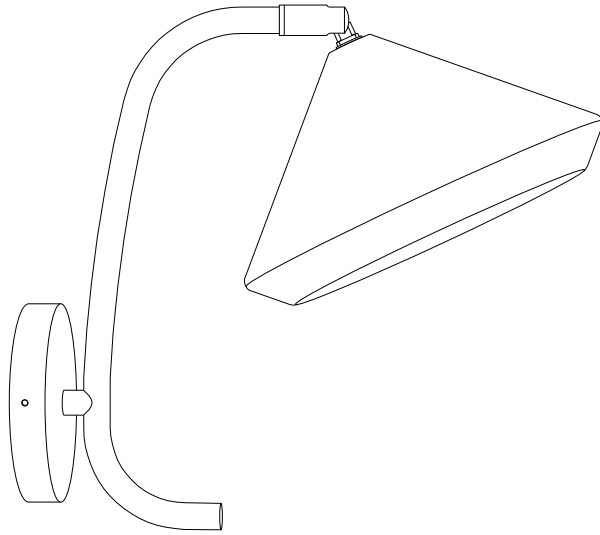
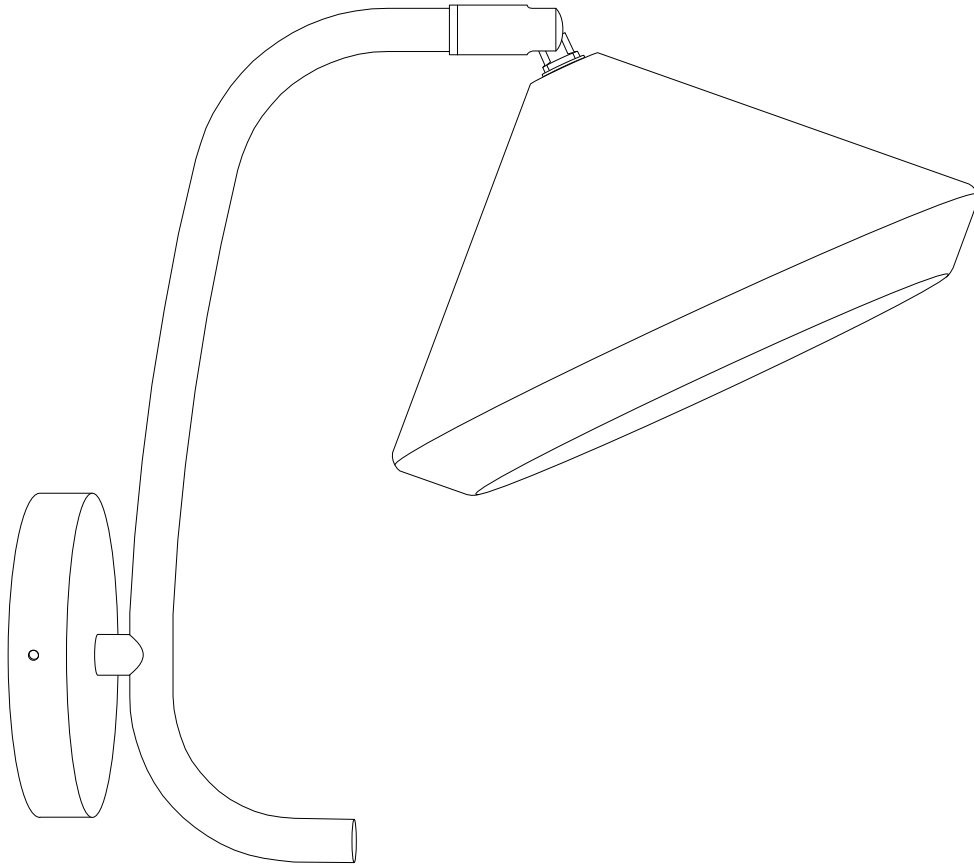


MOKVI

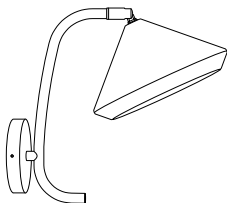




A

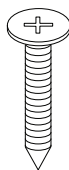


A



x 1

B



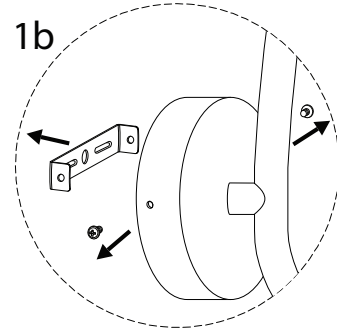
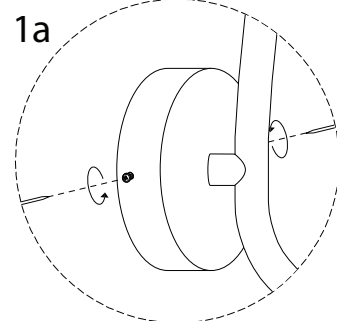
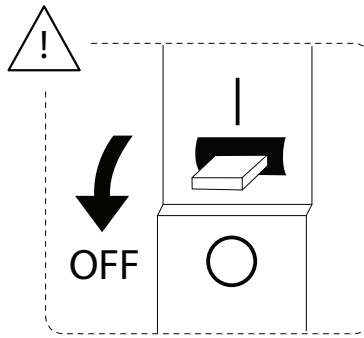
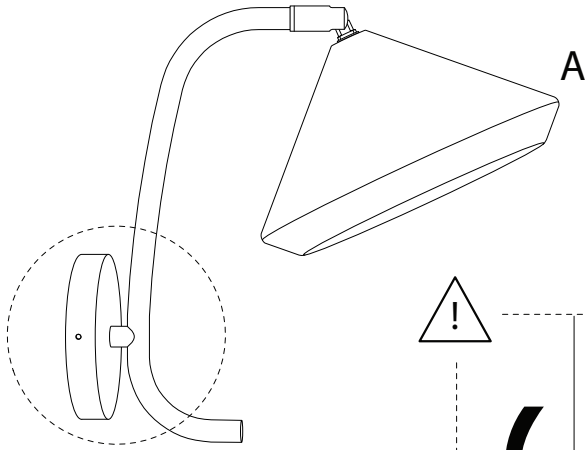
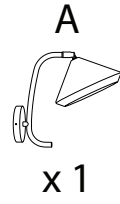
x 2

C

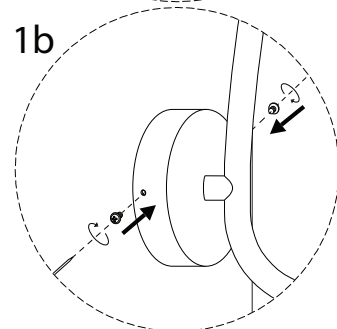
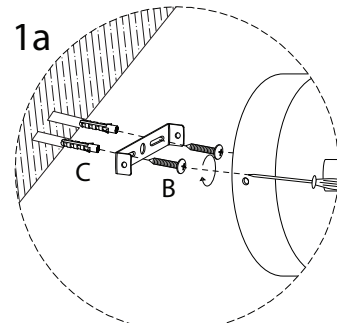
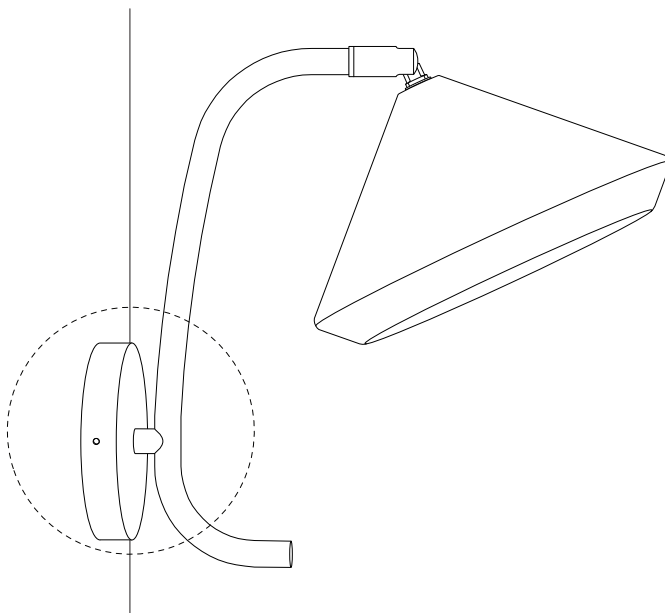
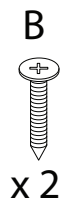


x 2

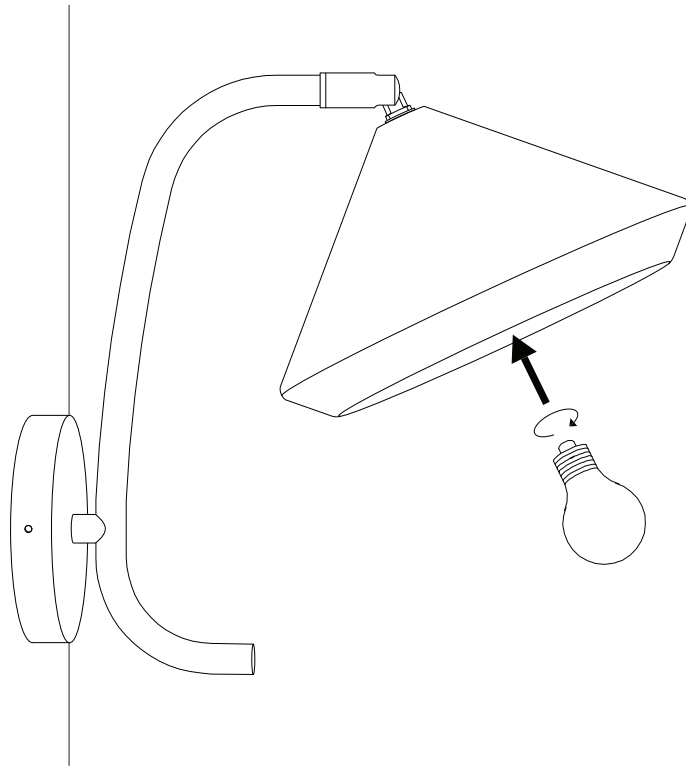
1



2



3



!

