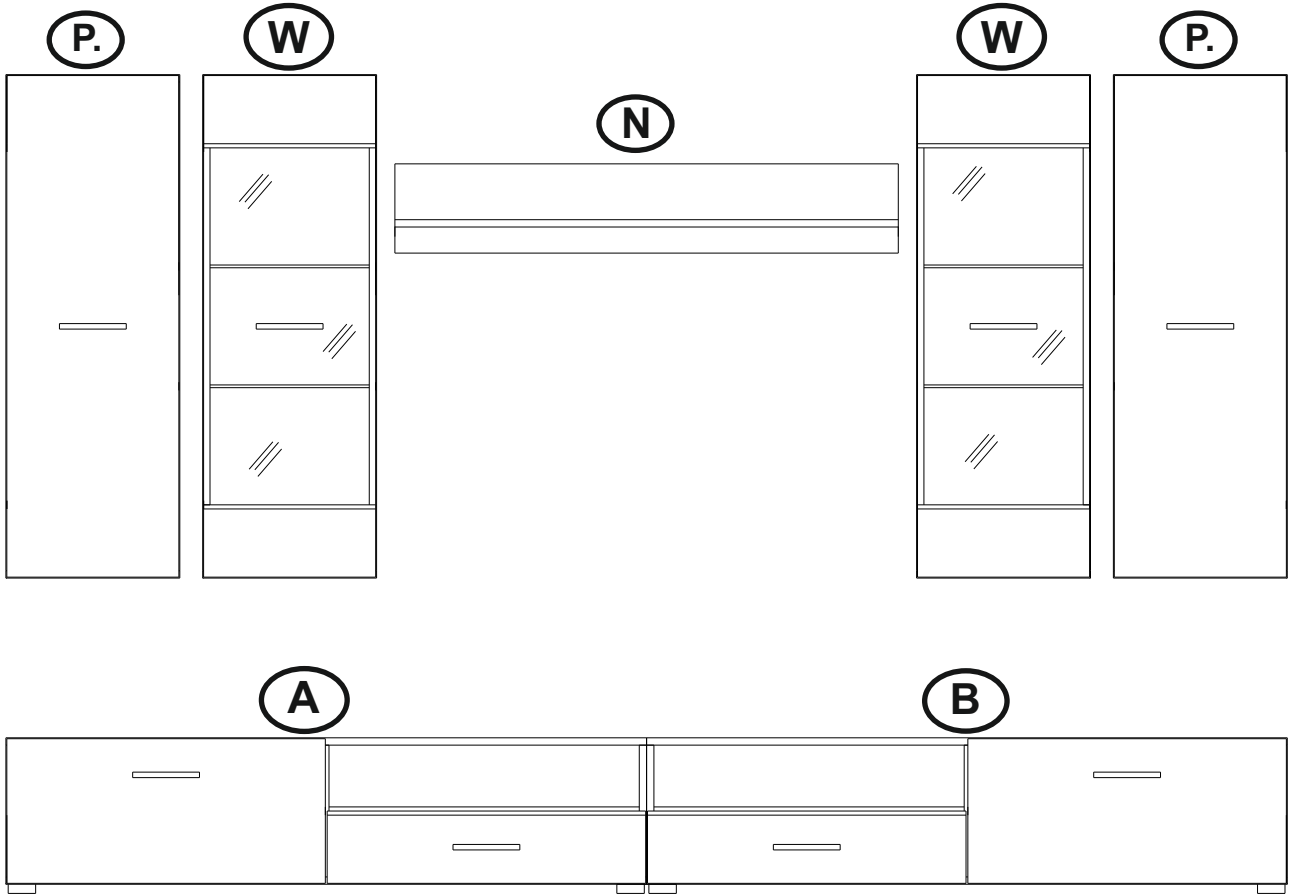
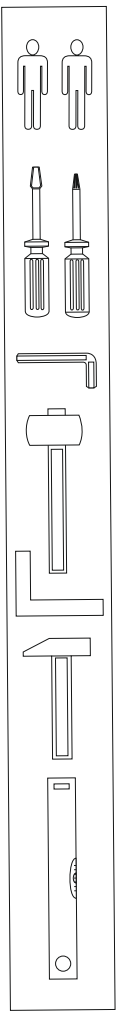


# CLIF



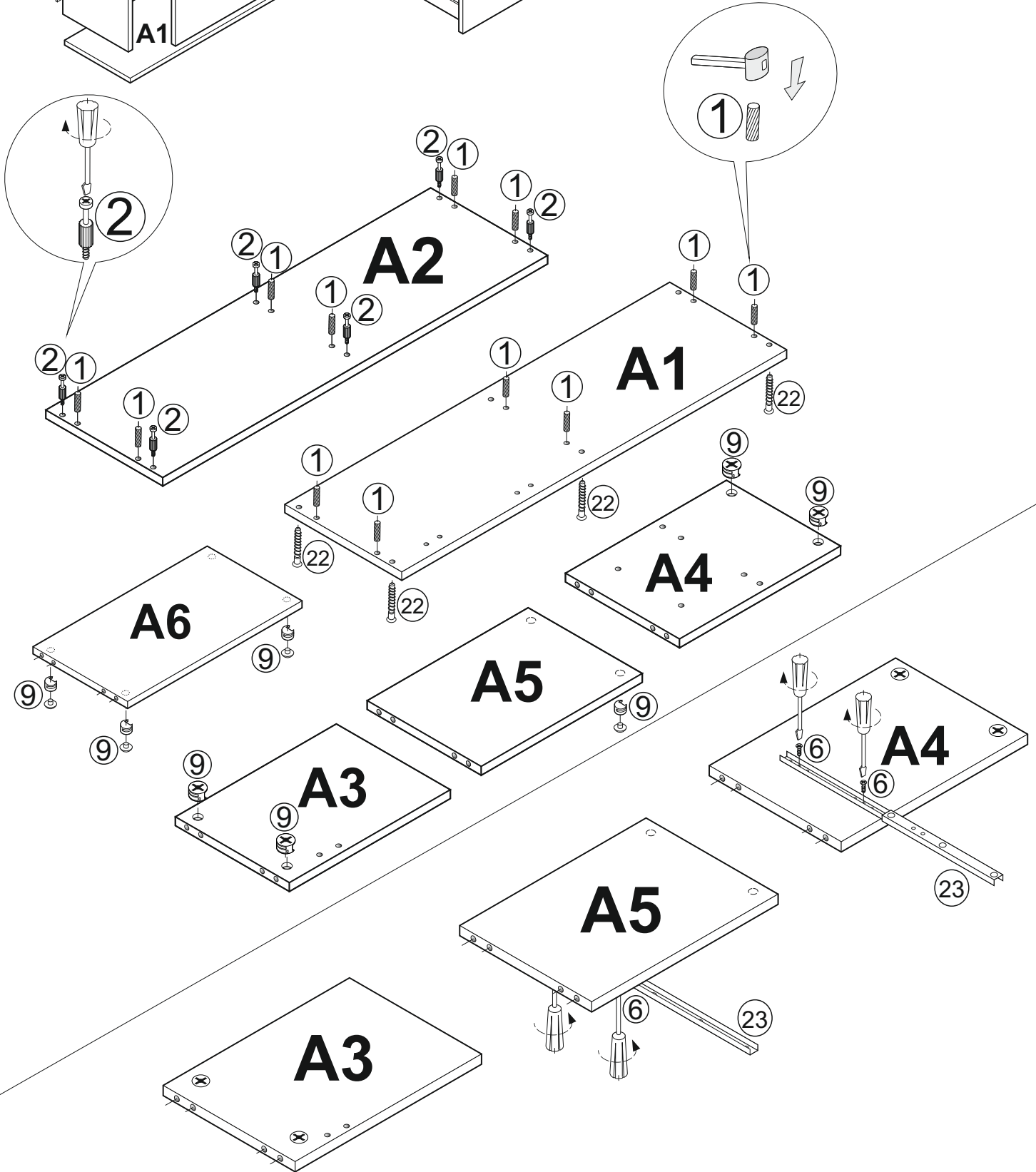
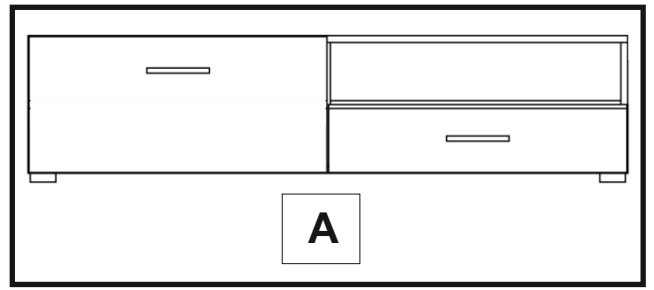
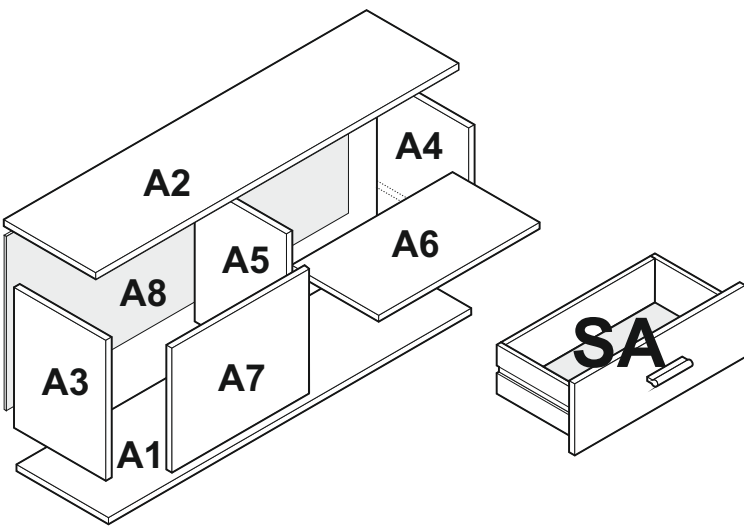
1		x 68
2		x 56
3		x 8
4A		x 16
4B		x 4
5		x 8
6		x 66
29		x 4
10		x 10

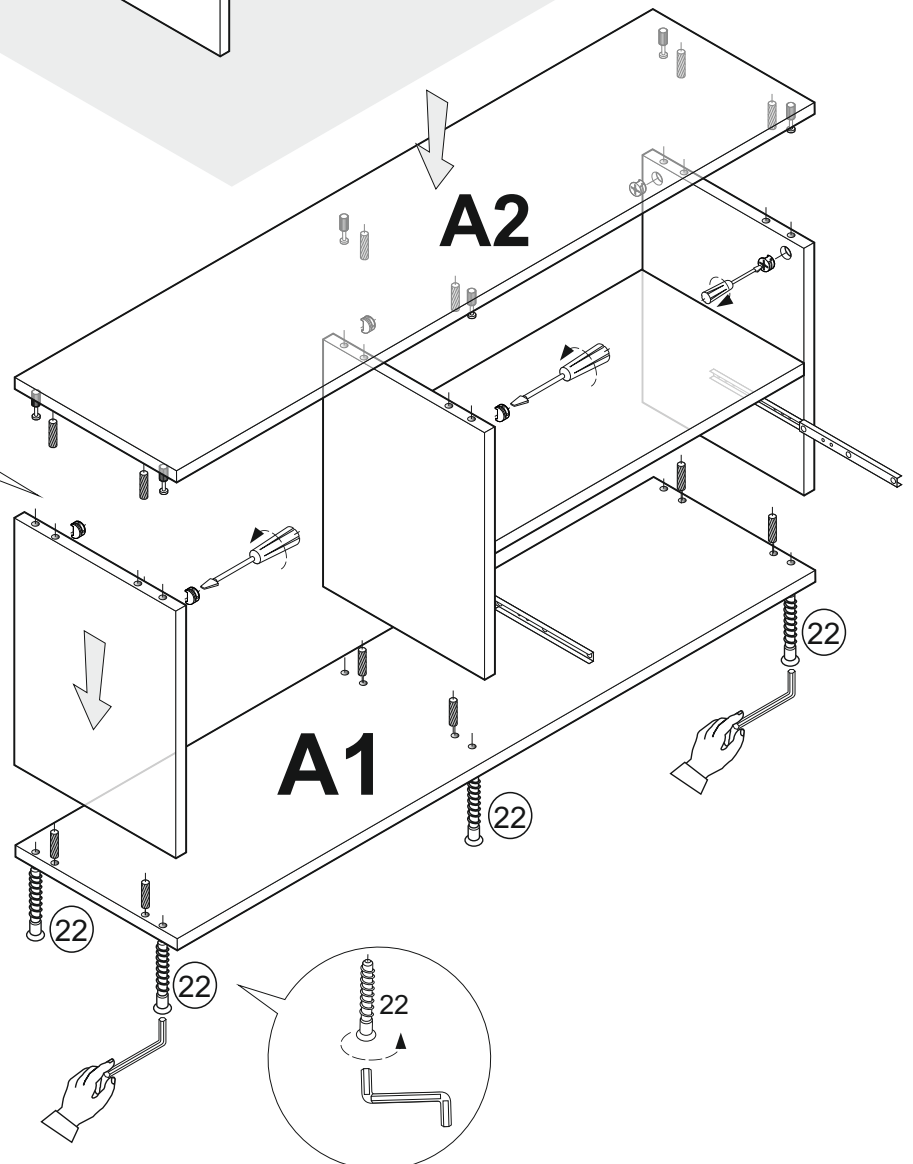
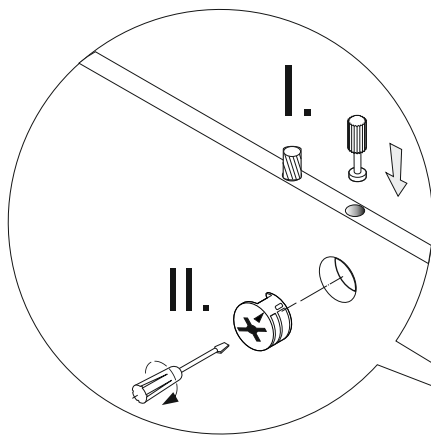
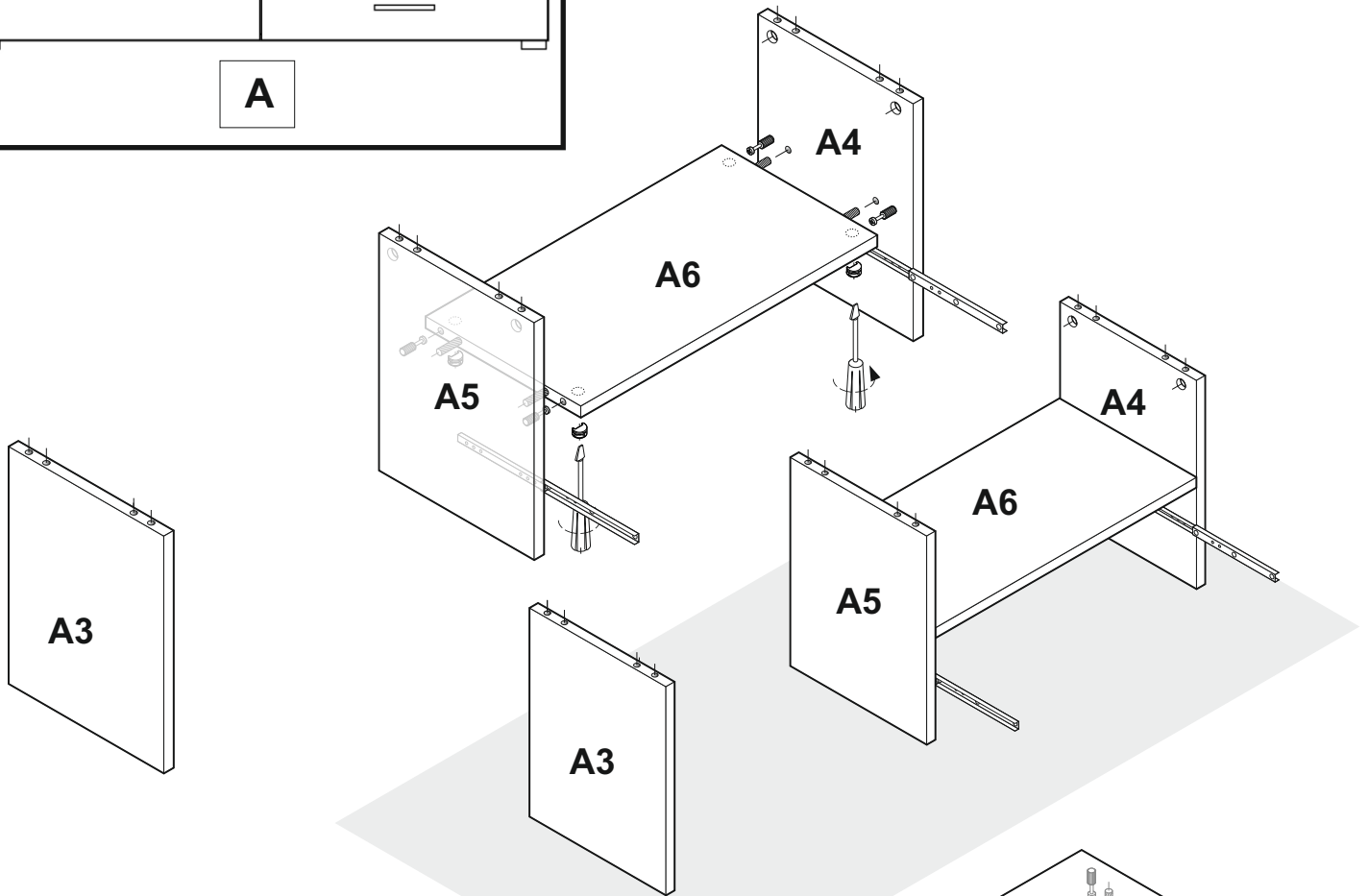
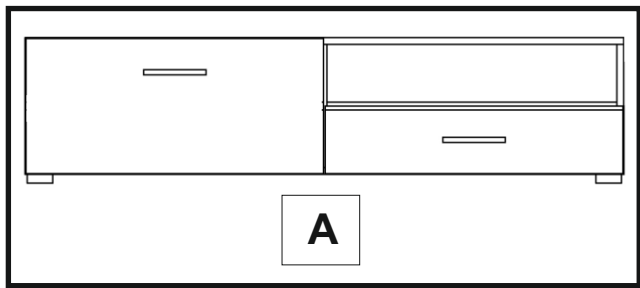
7		x 2
72		x 2
9		x 52
9A		x 52
26		x 1
30	LED LIGHTS	x 1
12		x 150

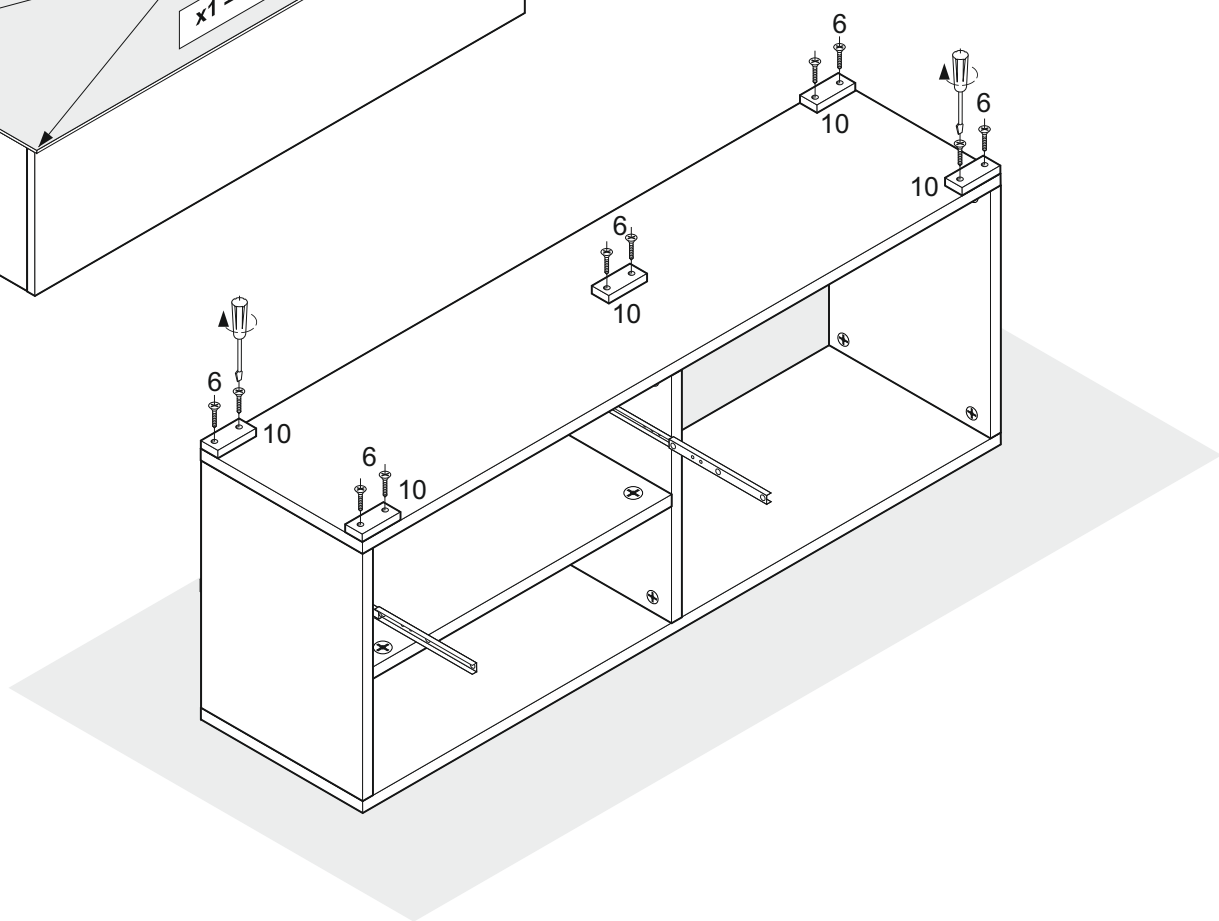
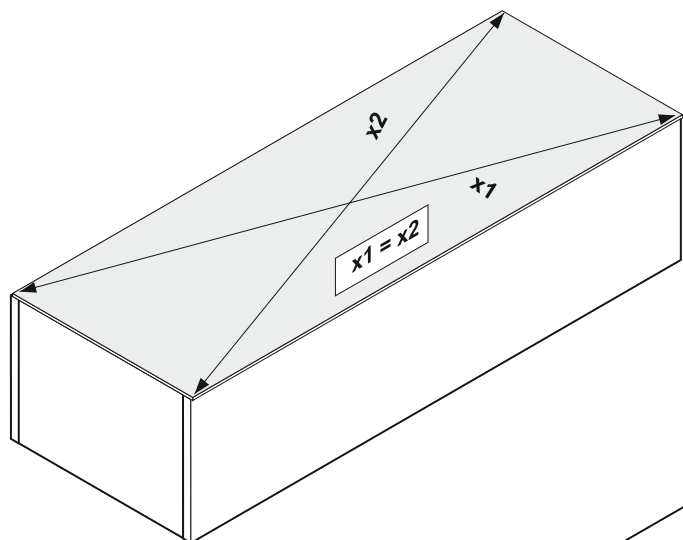
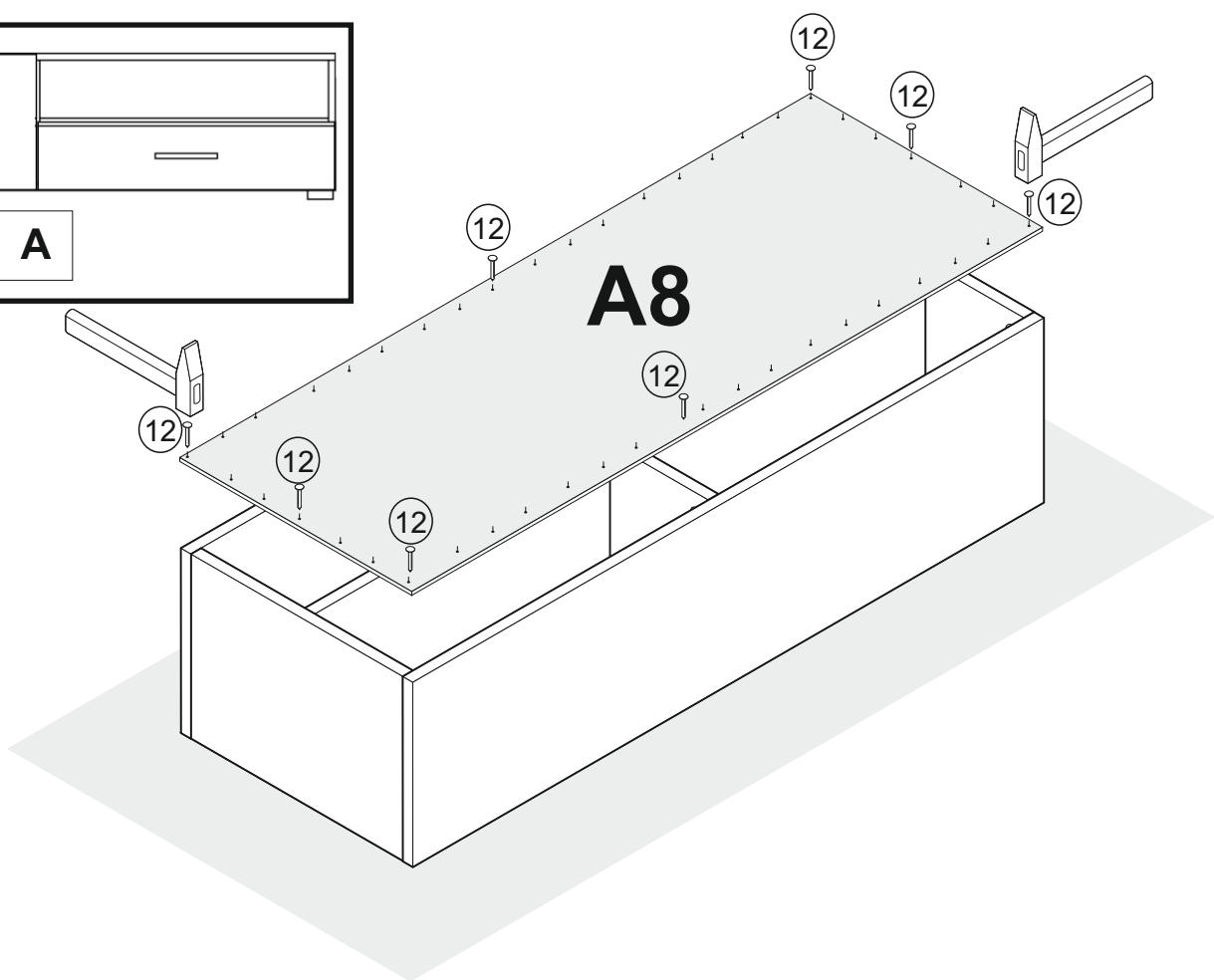
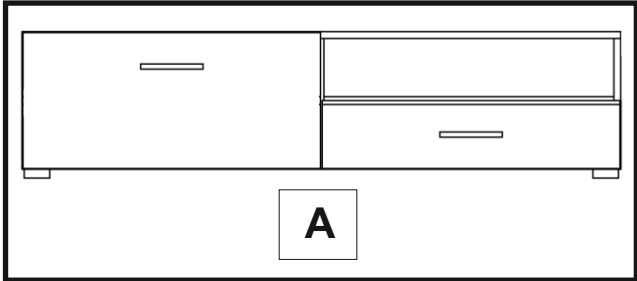
13		x 16
14		x 16
36		x 12
4		x 12
24		x 4
38		x 24
21		x 16
80		x 10

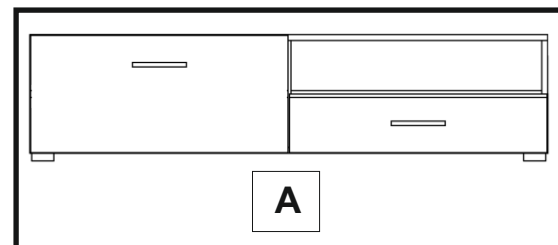
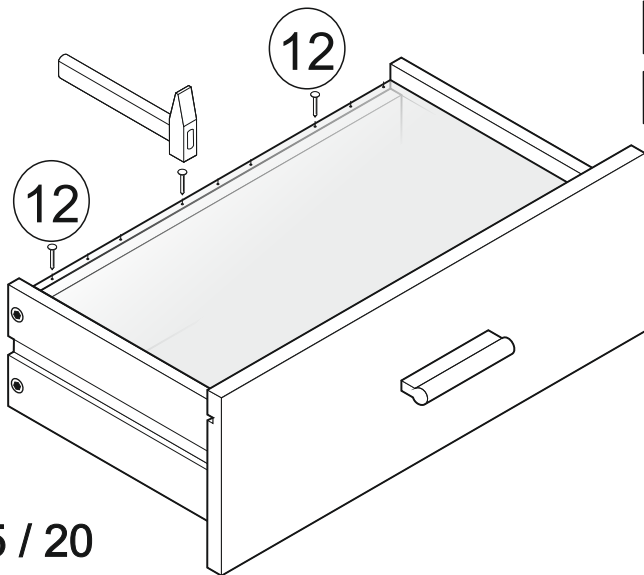
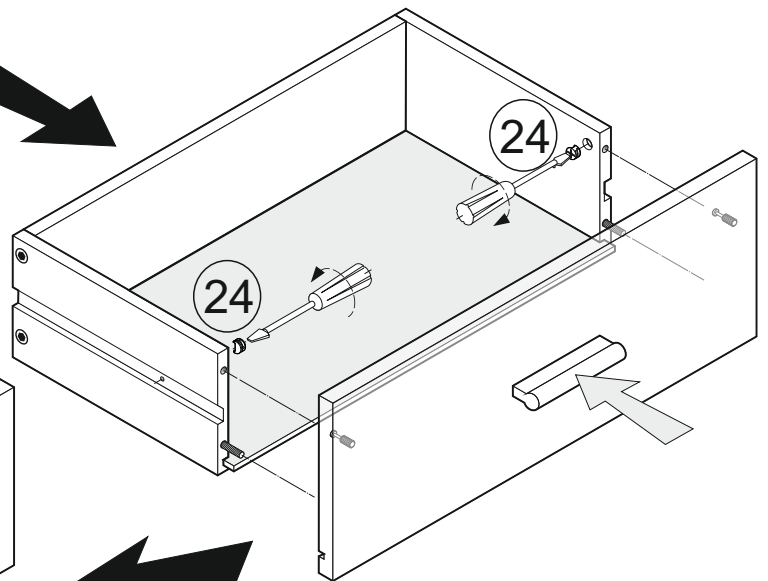
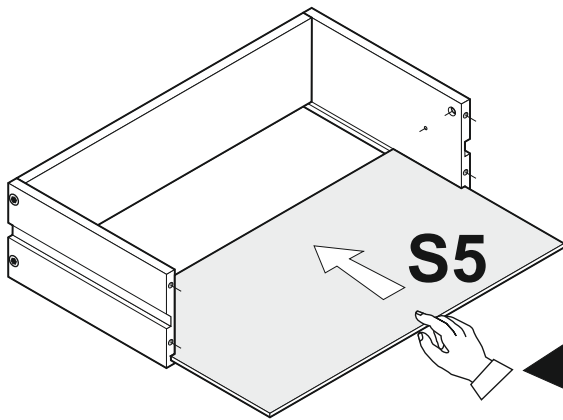
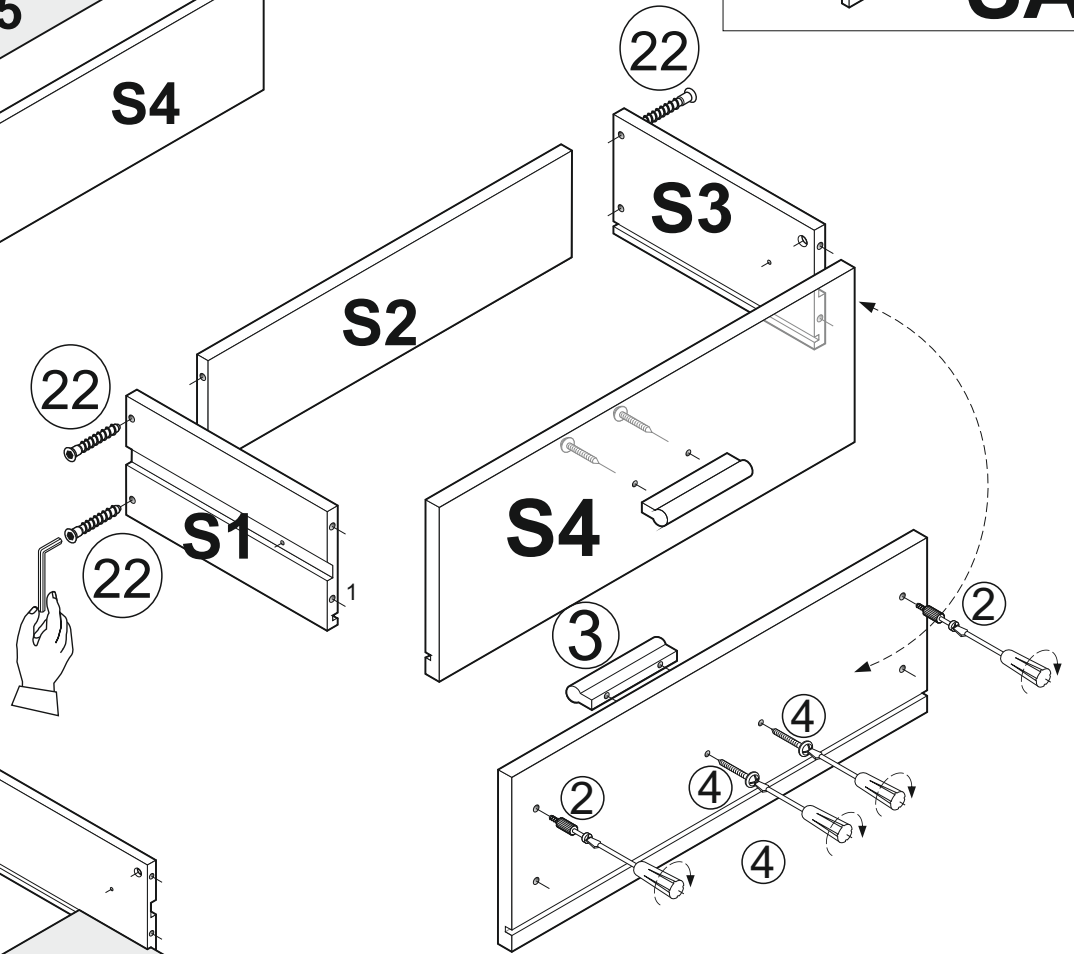
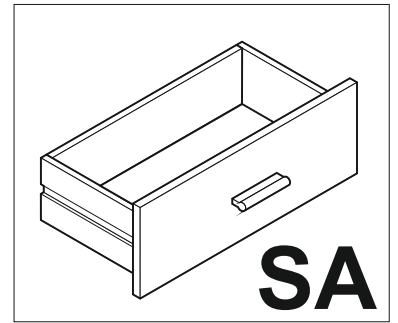
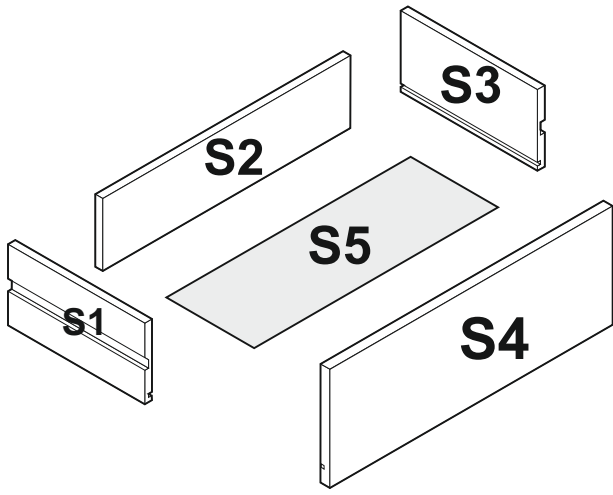
17		x 4
18		x 4
22A		x 26
22		x 26
25		x 4
39		x 24
23		x 4

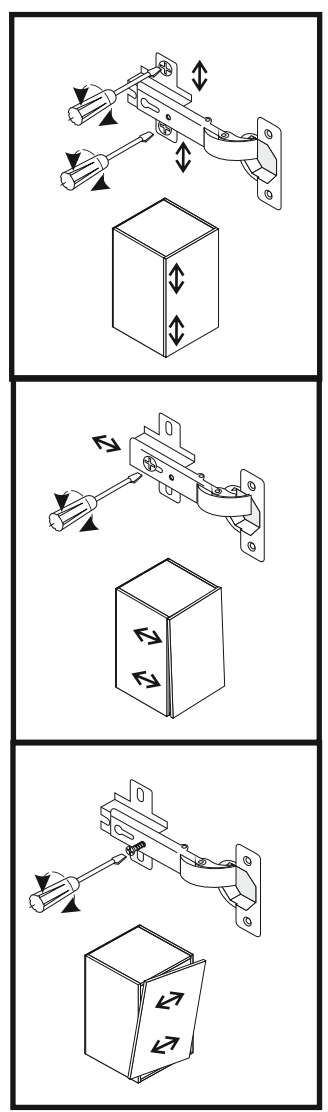
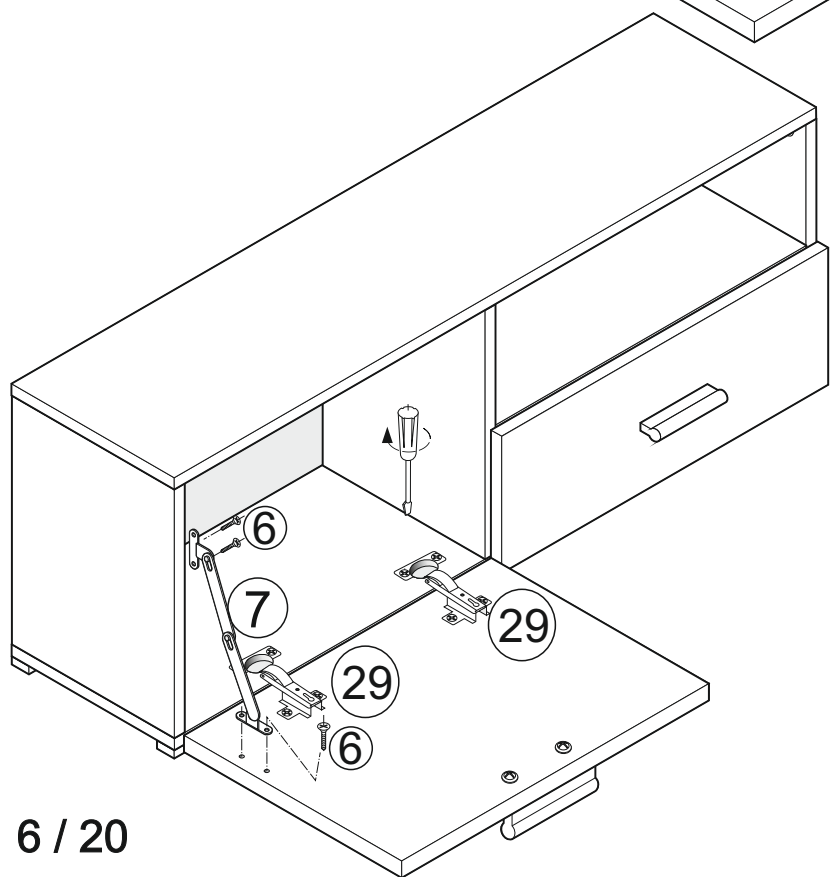
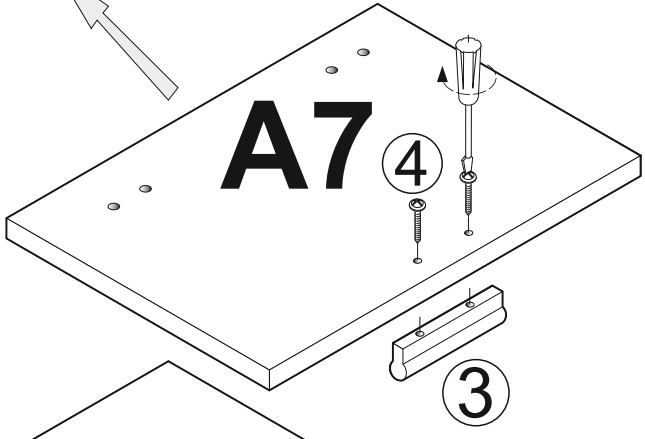
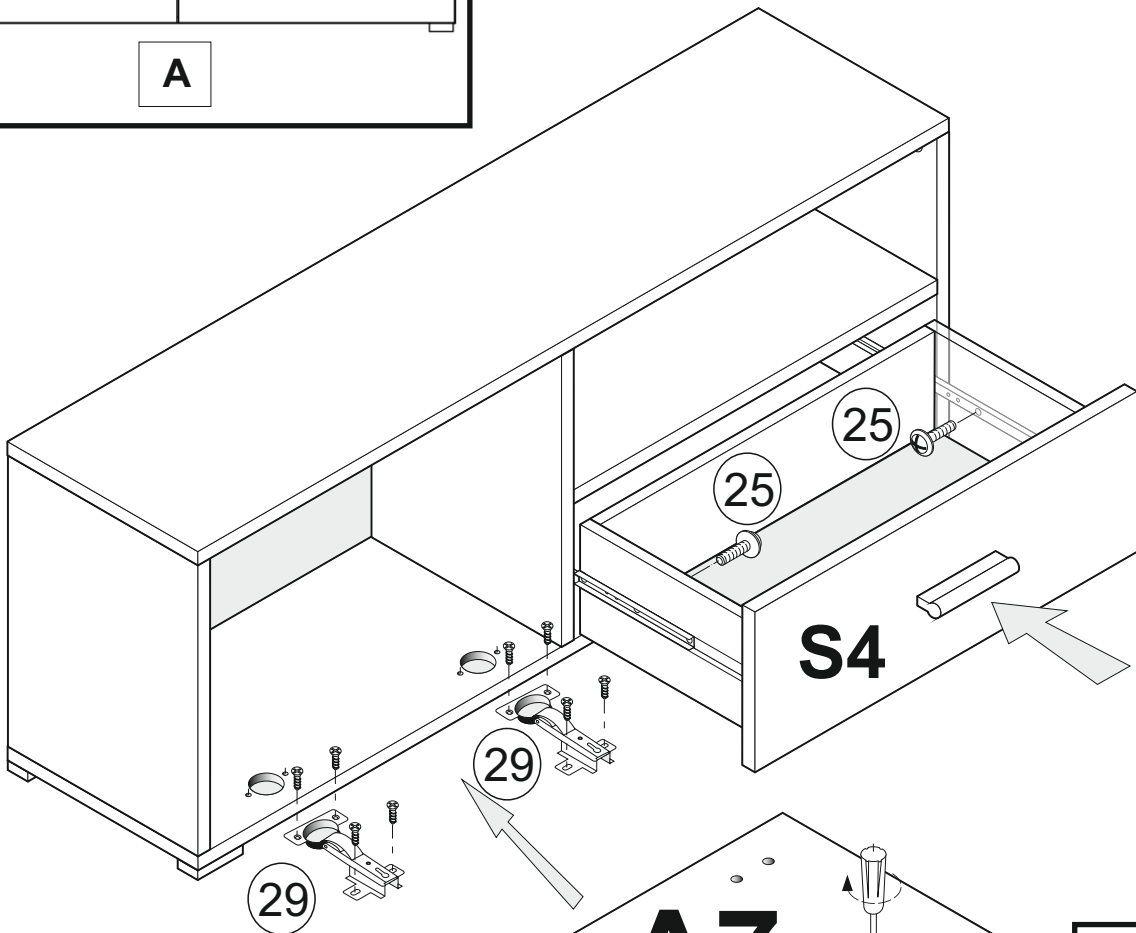
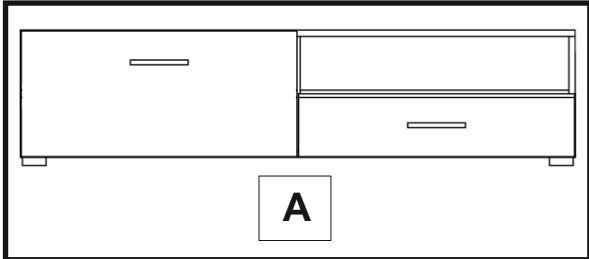


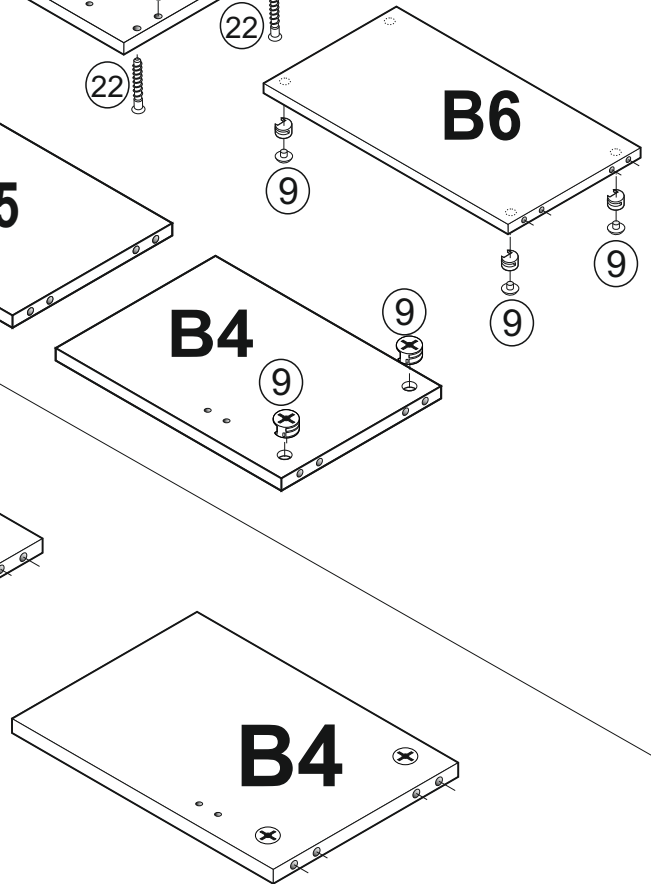
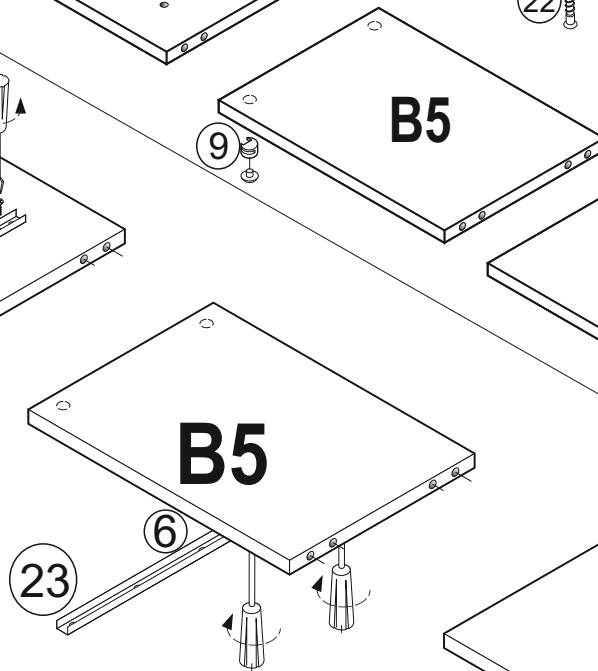
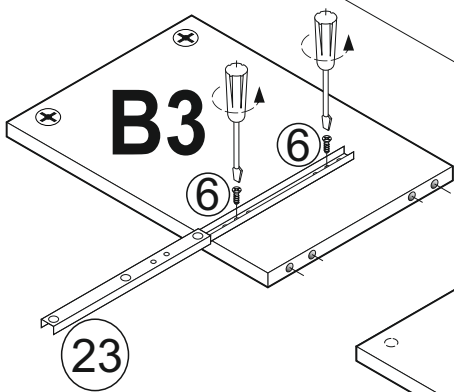
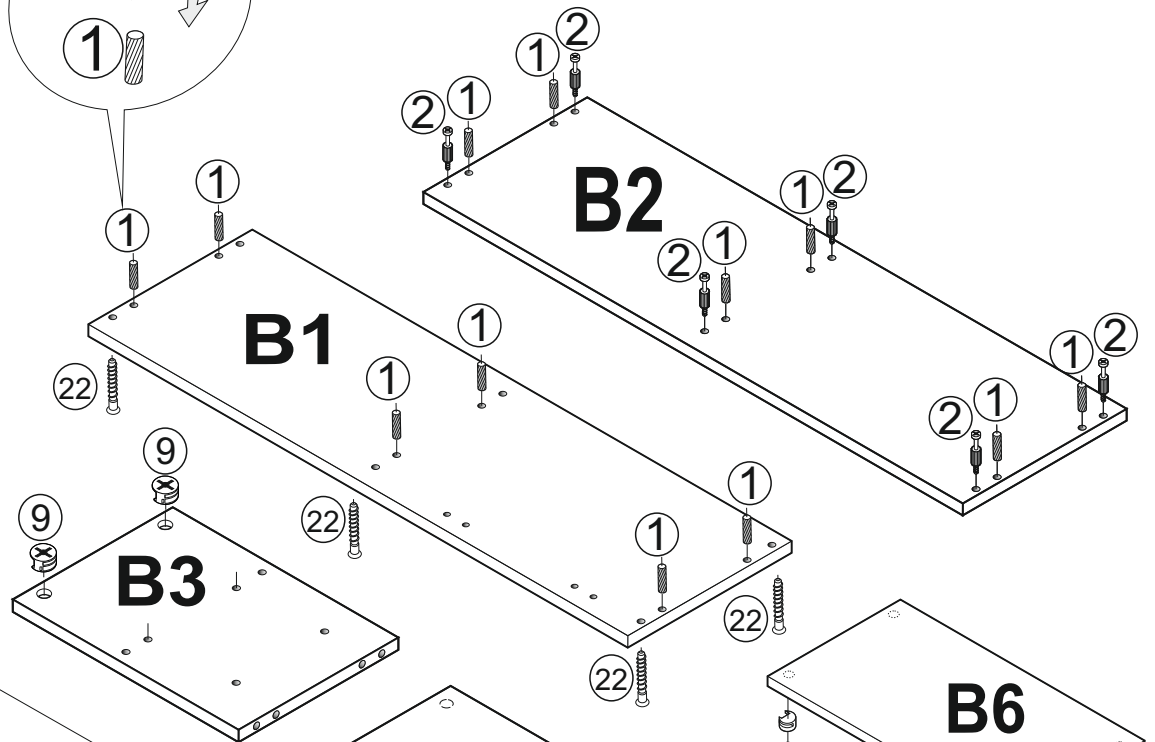
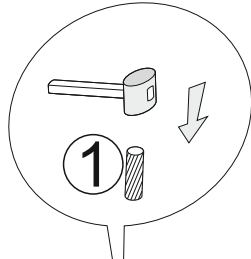
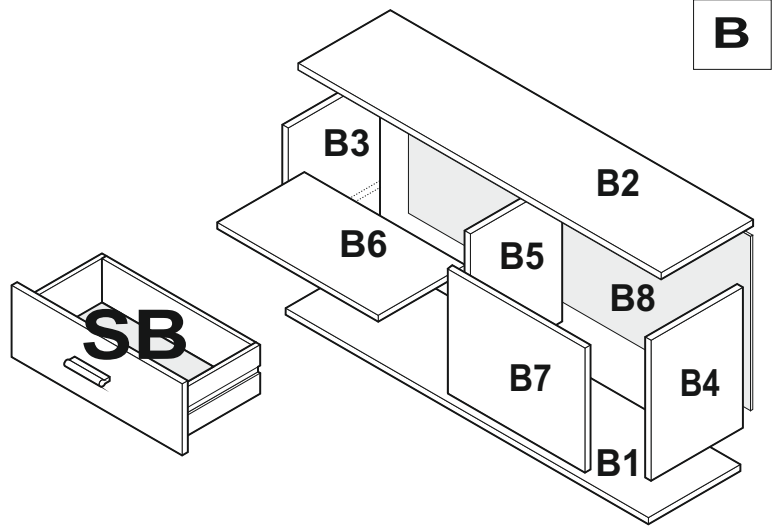
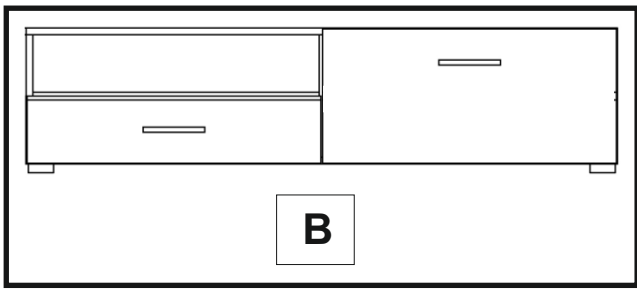


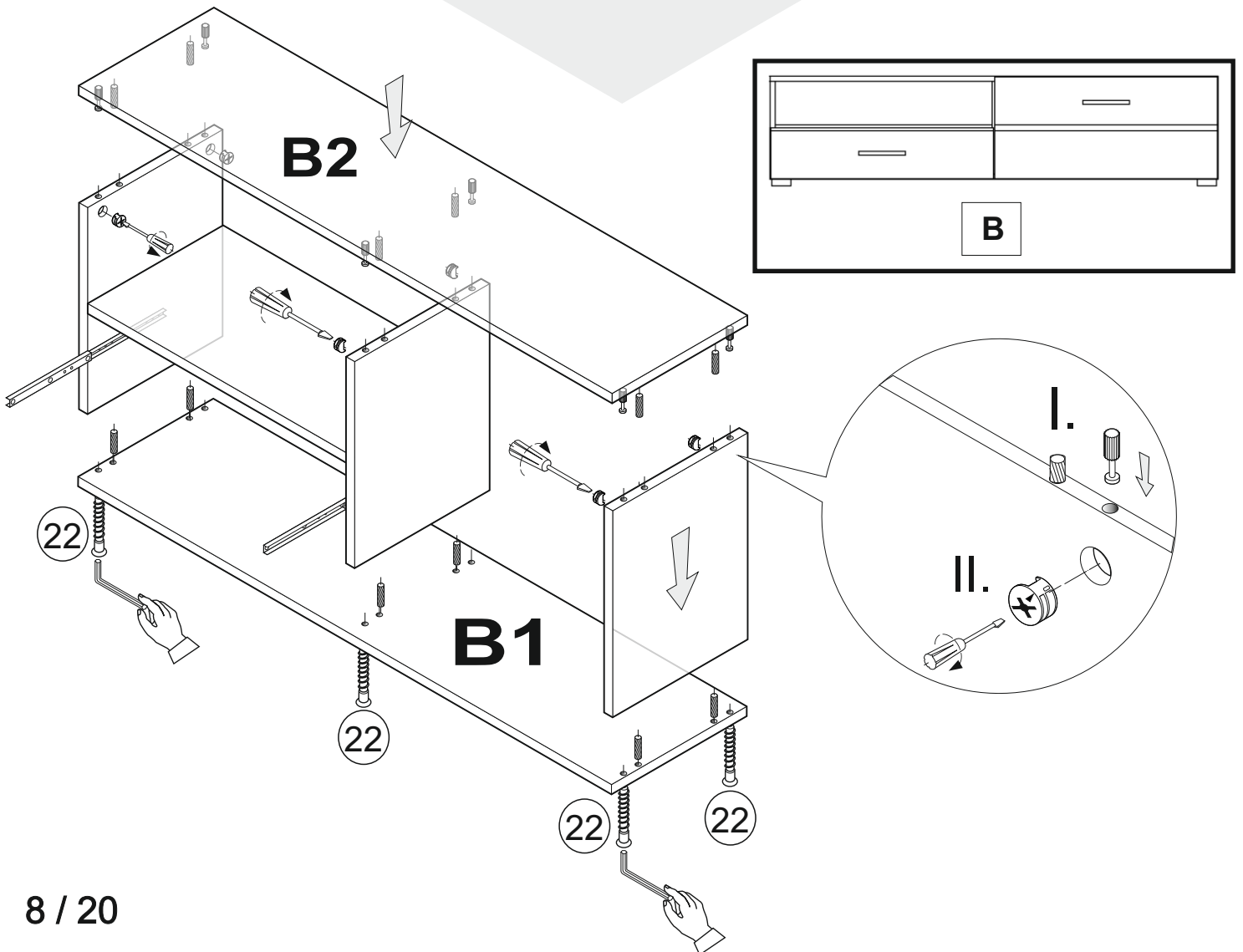
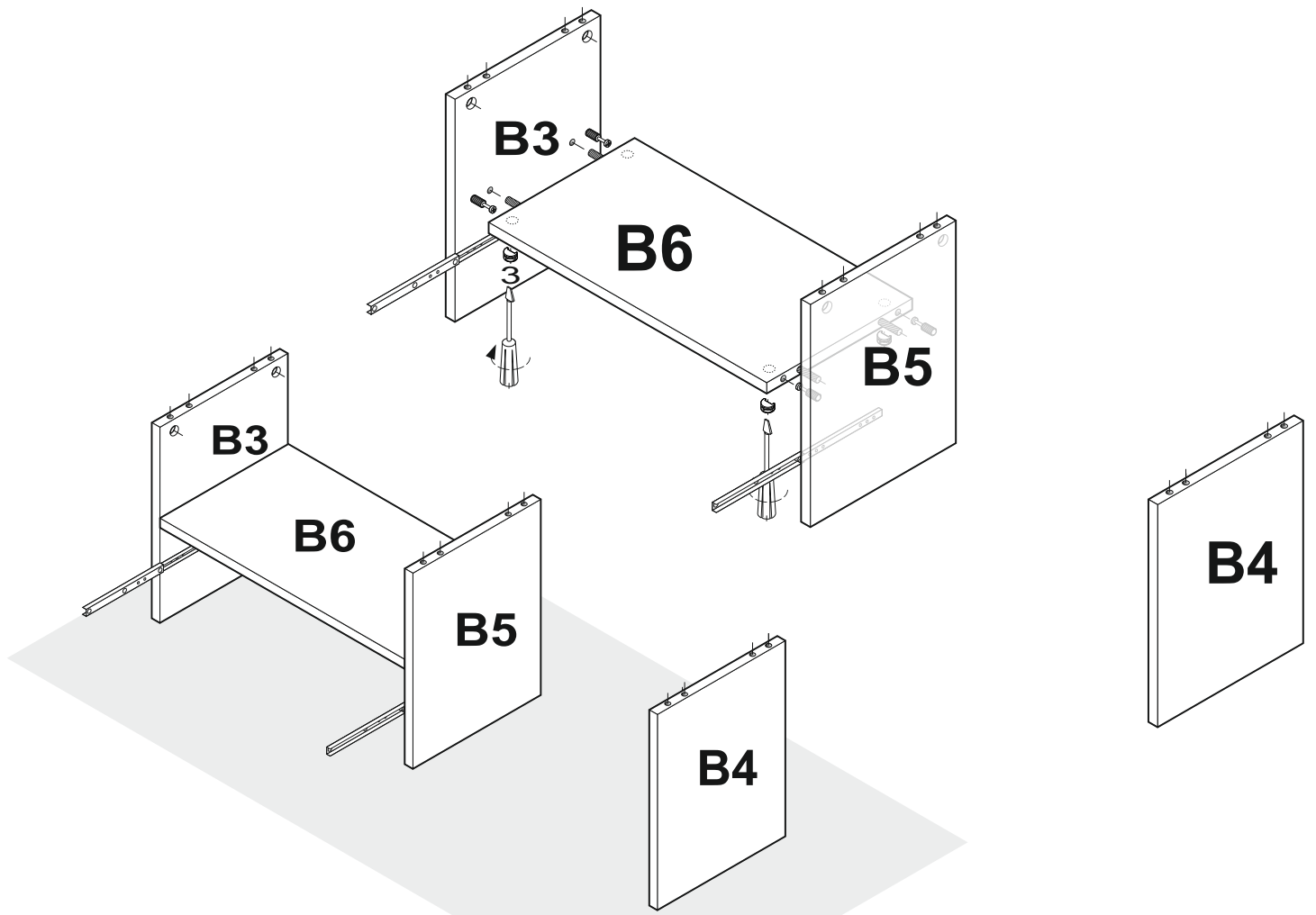




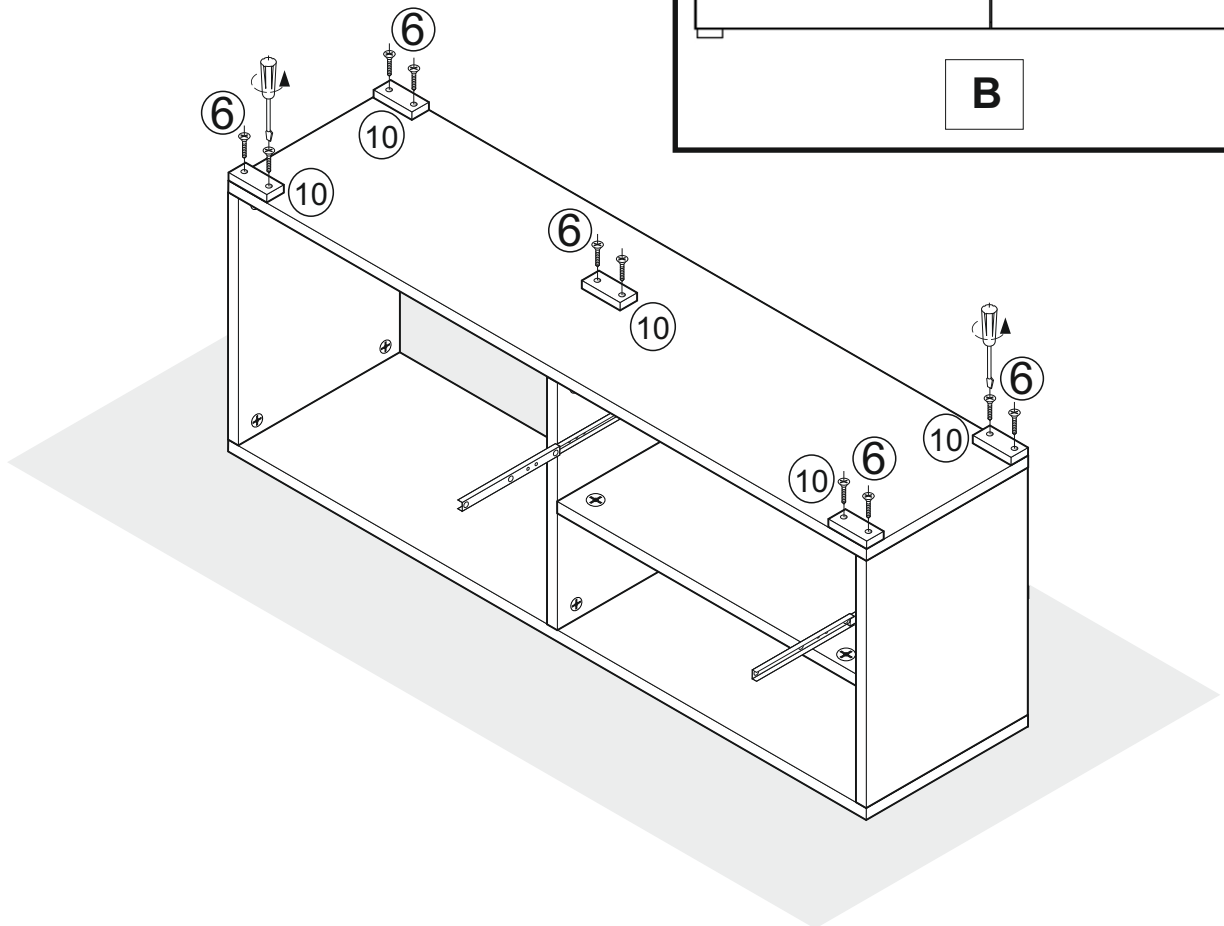
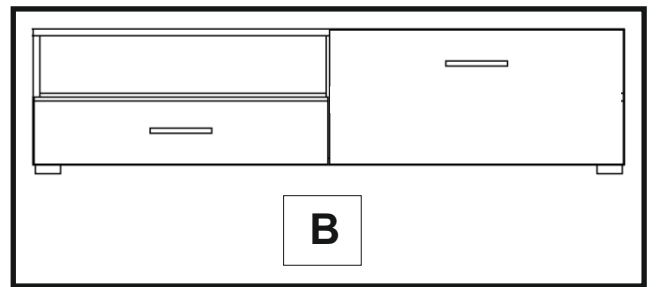
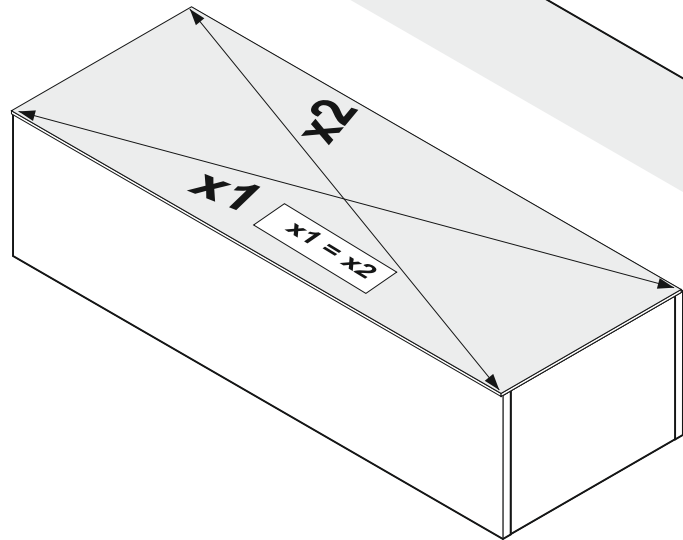
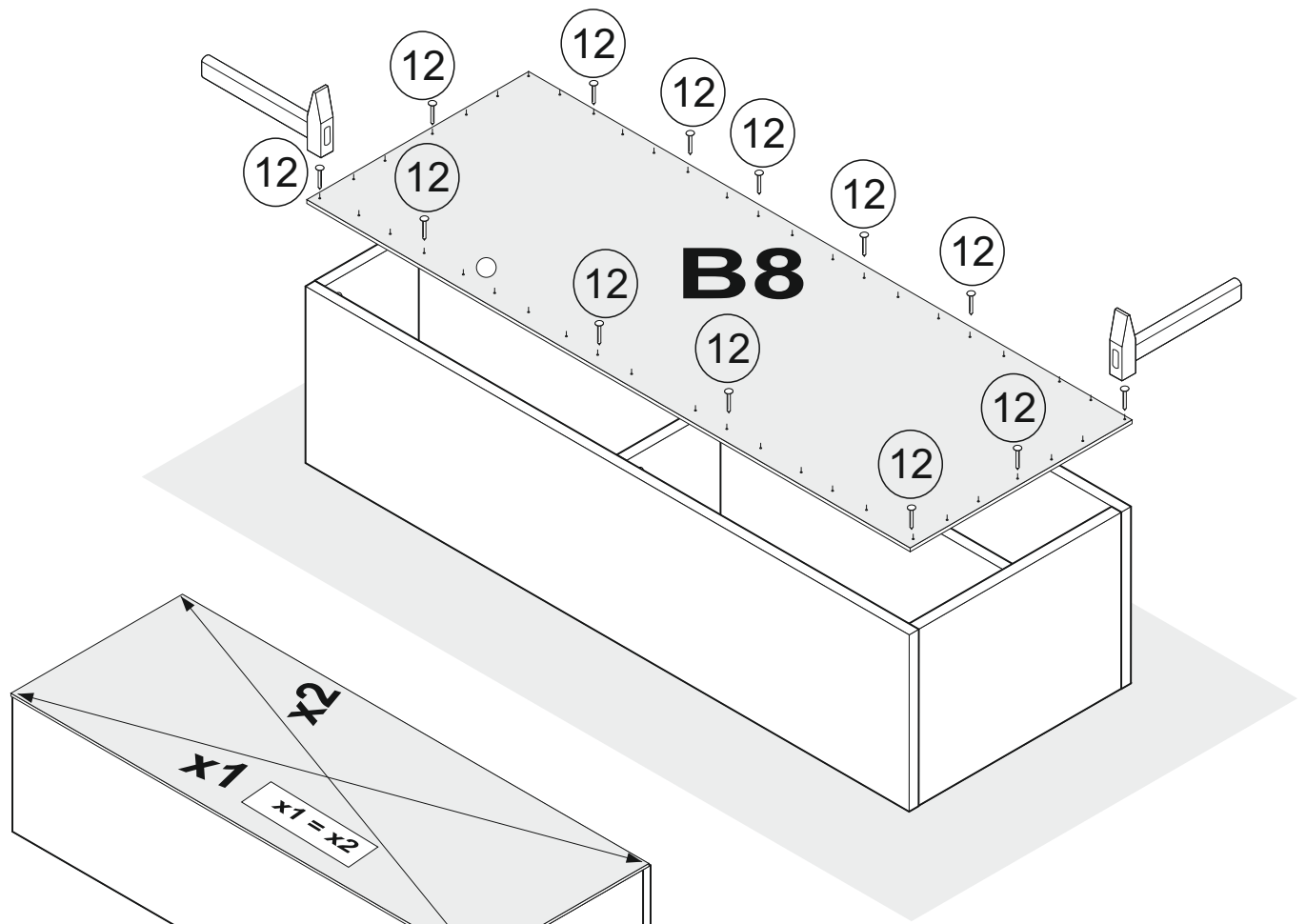




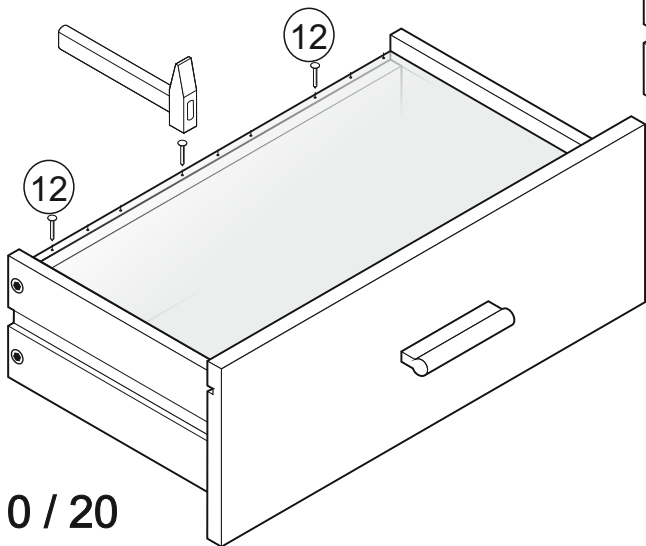
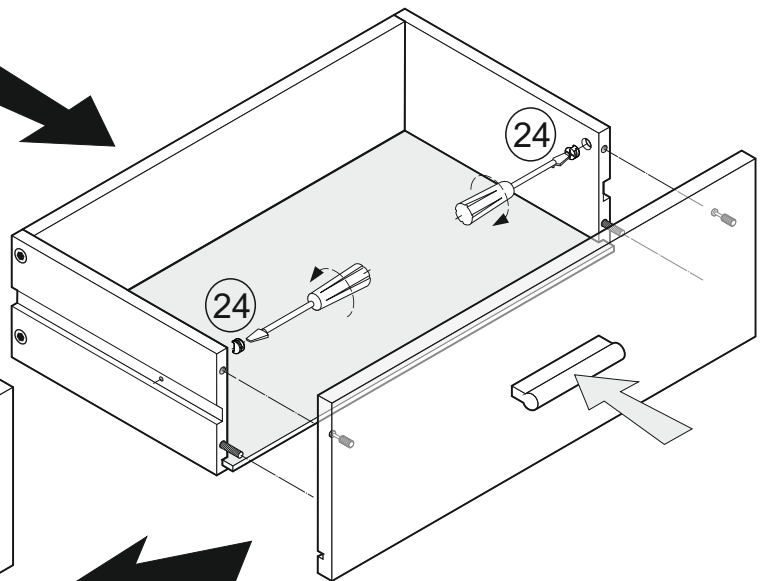
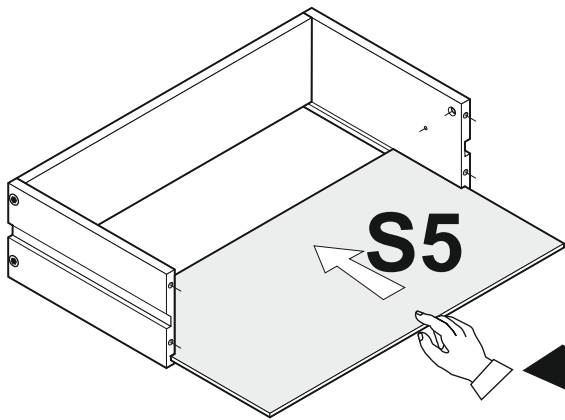
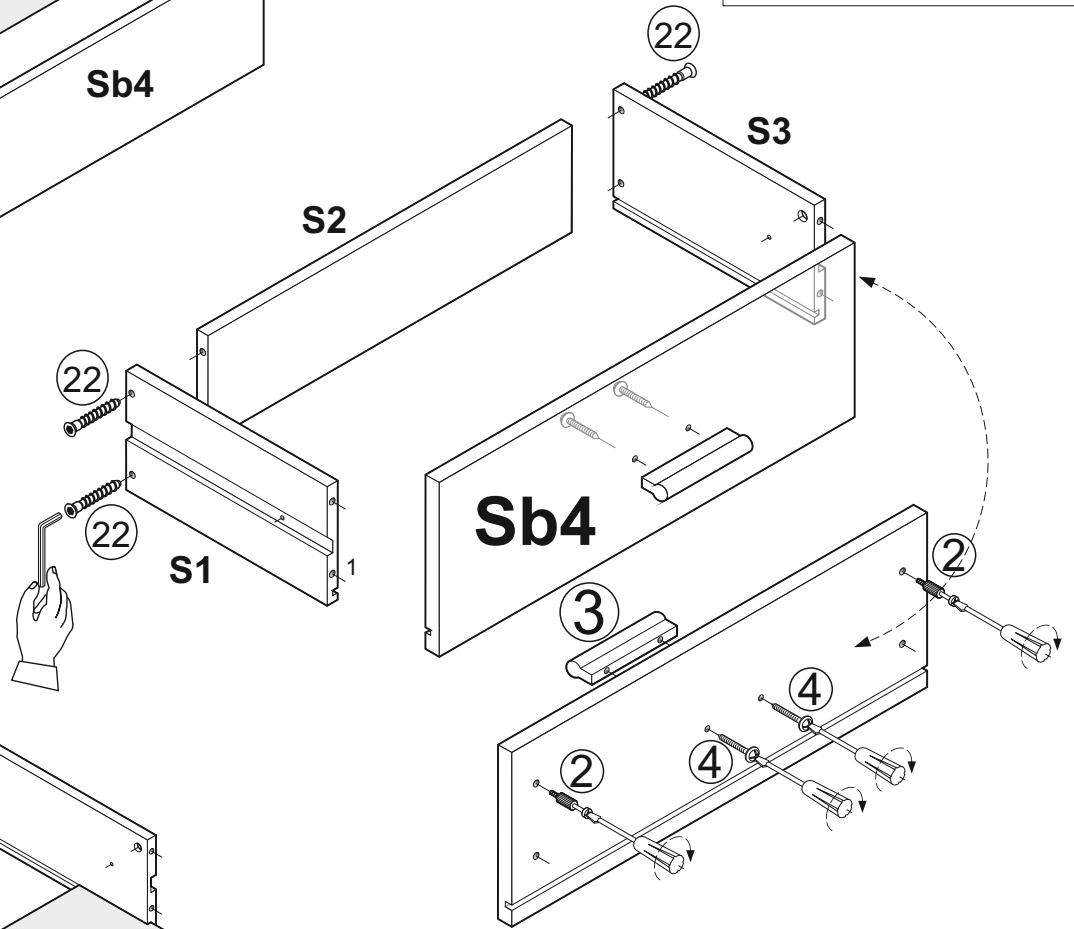
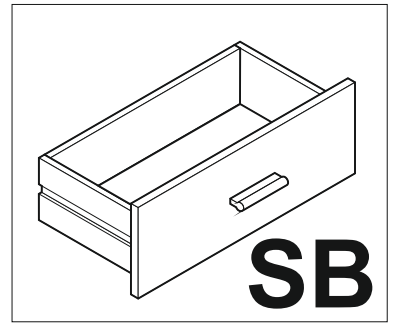
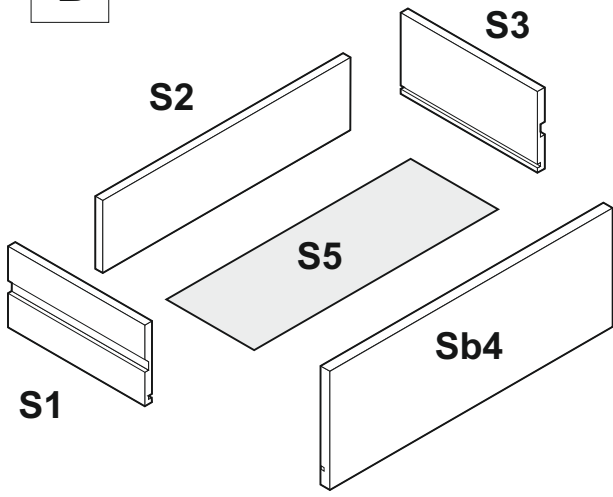


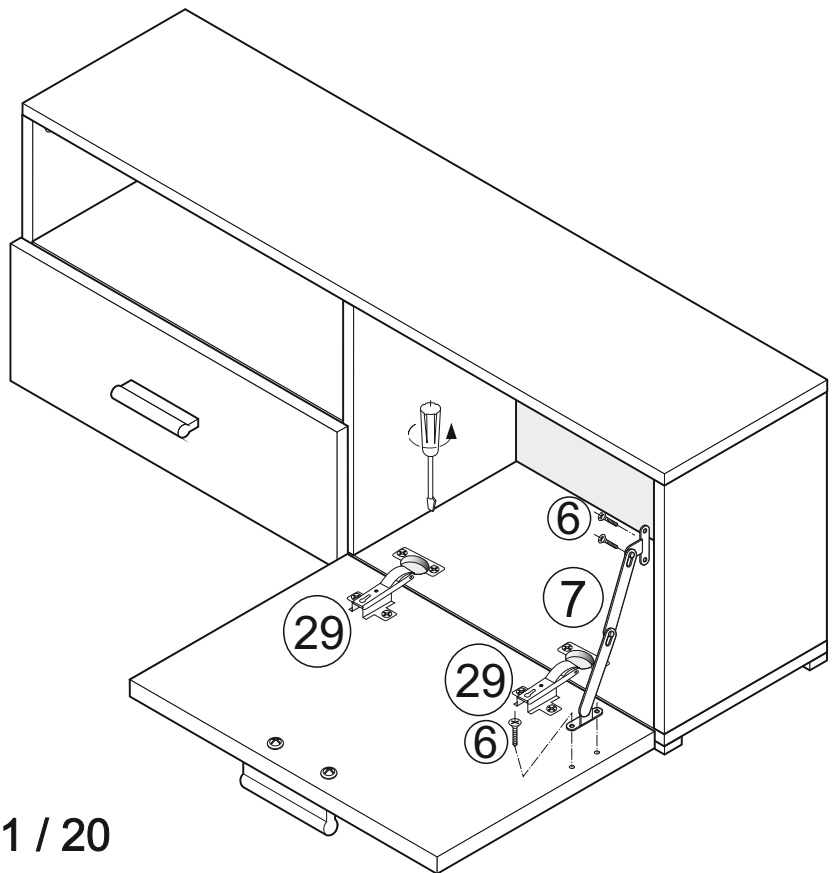
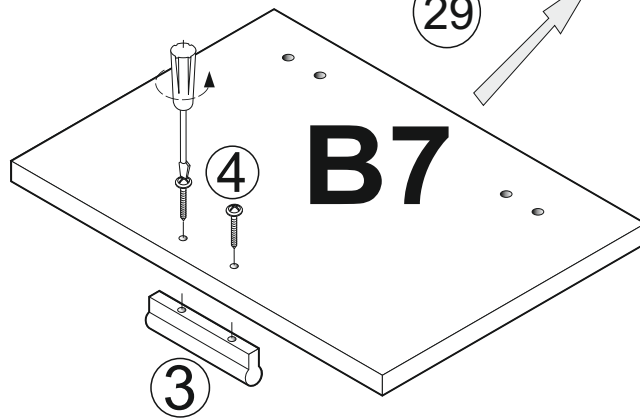
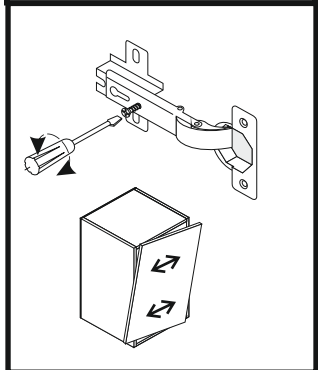
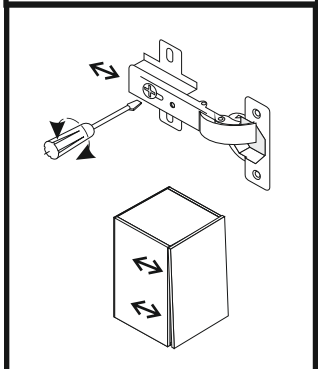
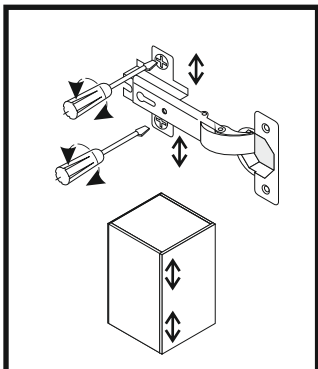
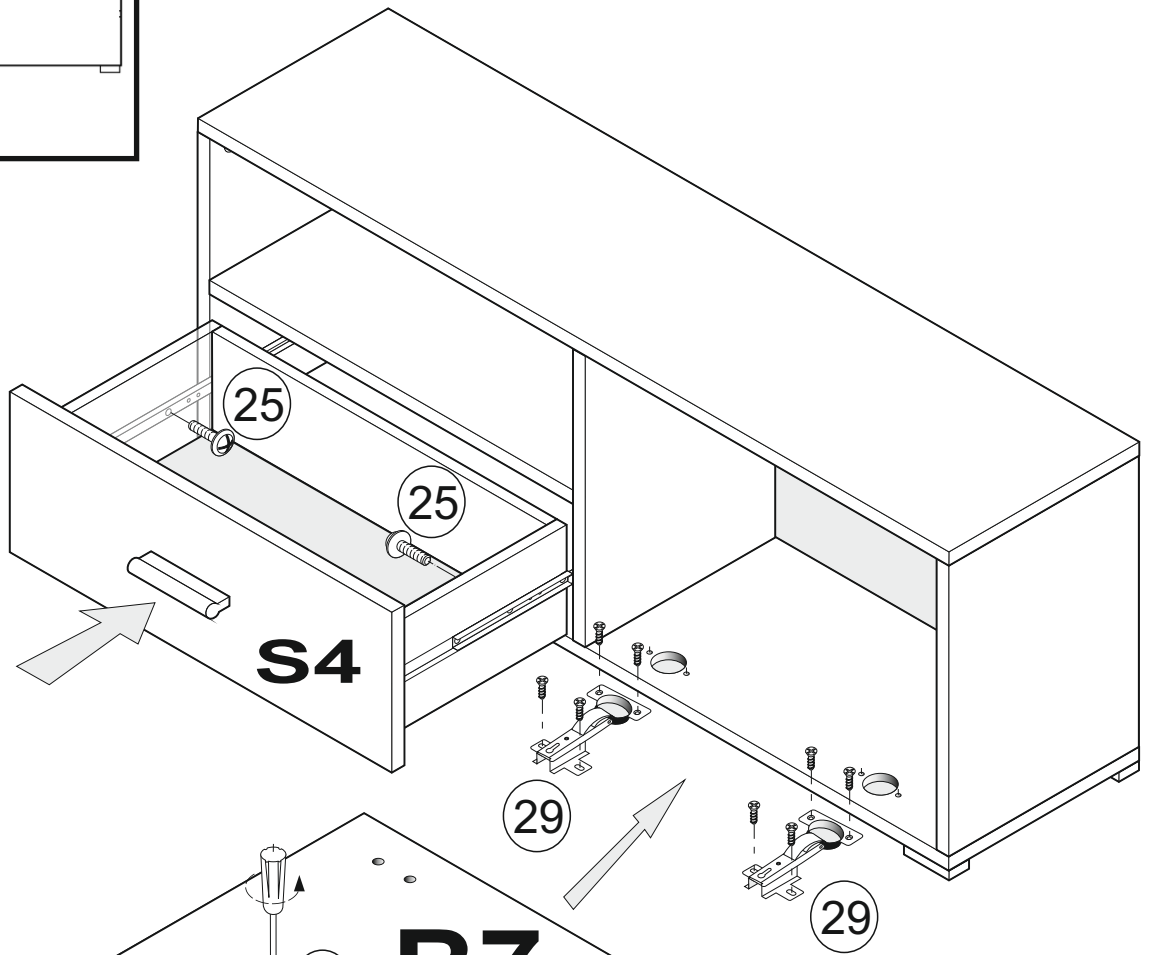
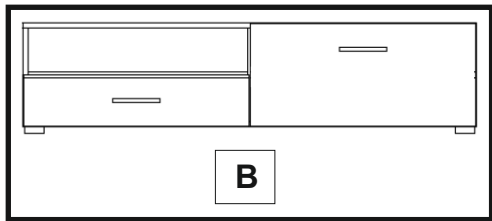




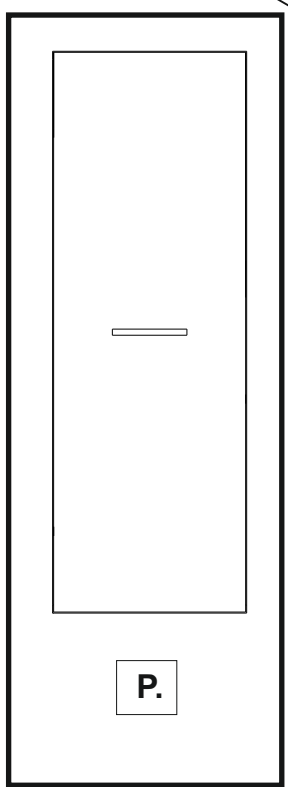
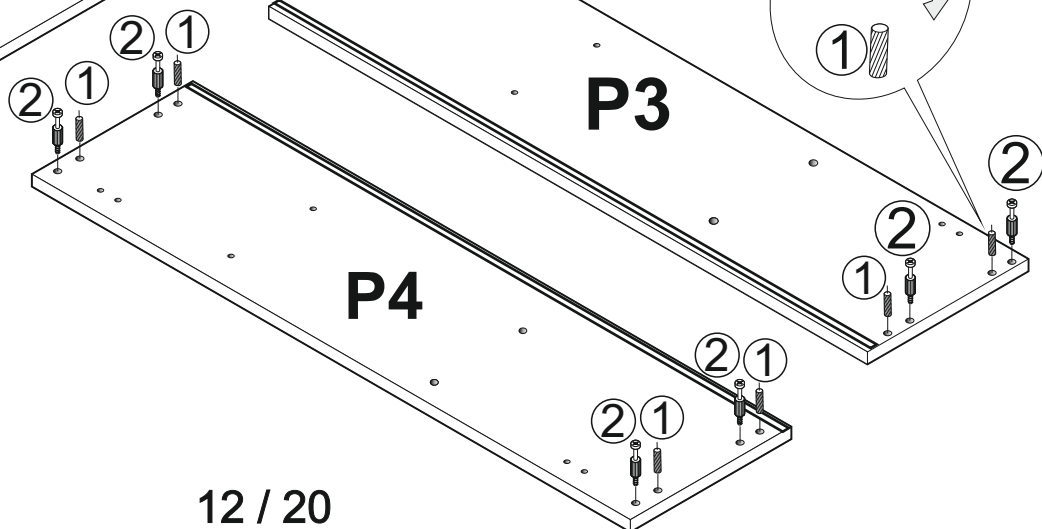
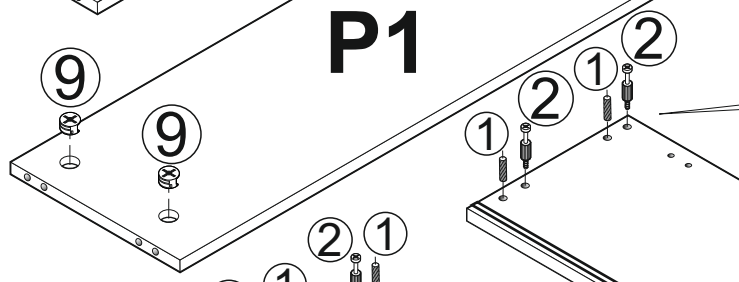
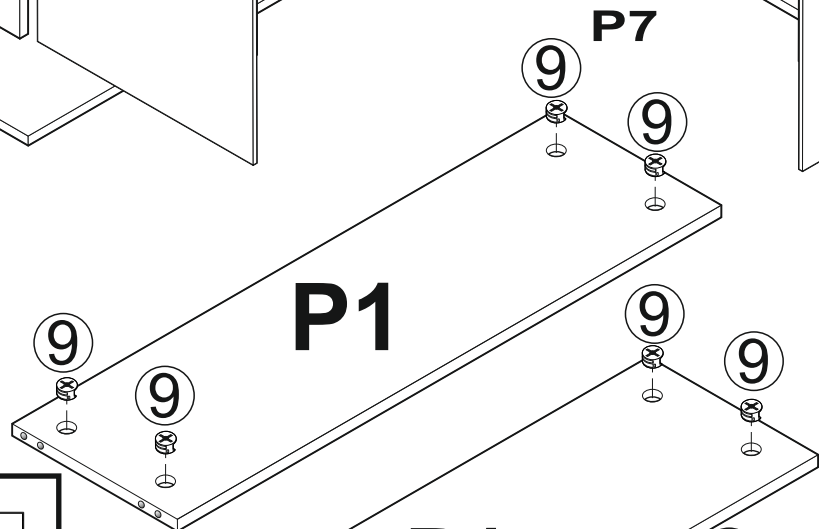
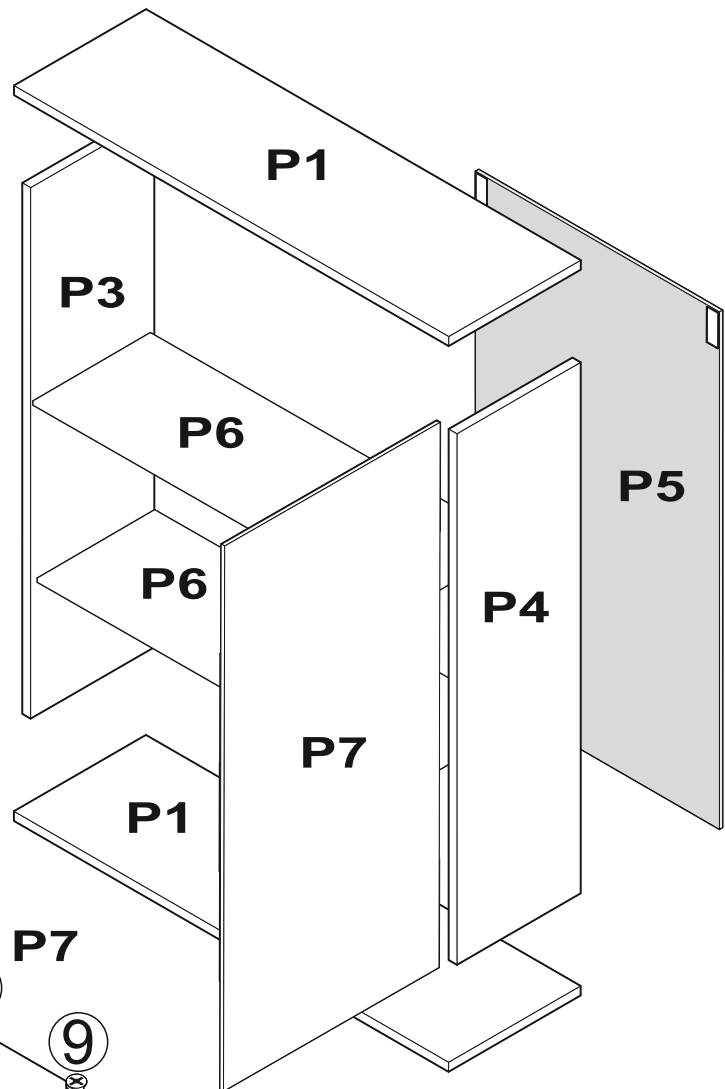
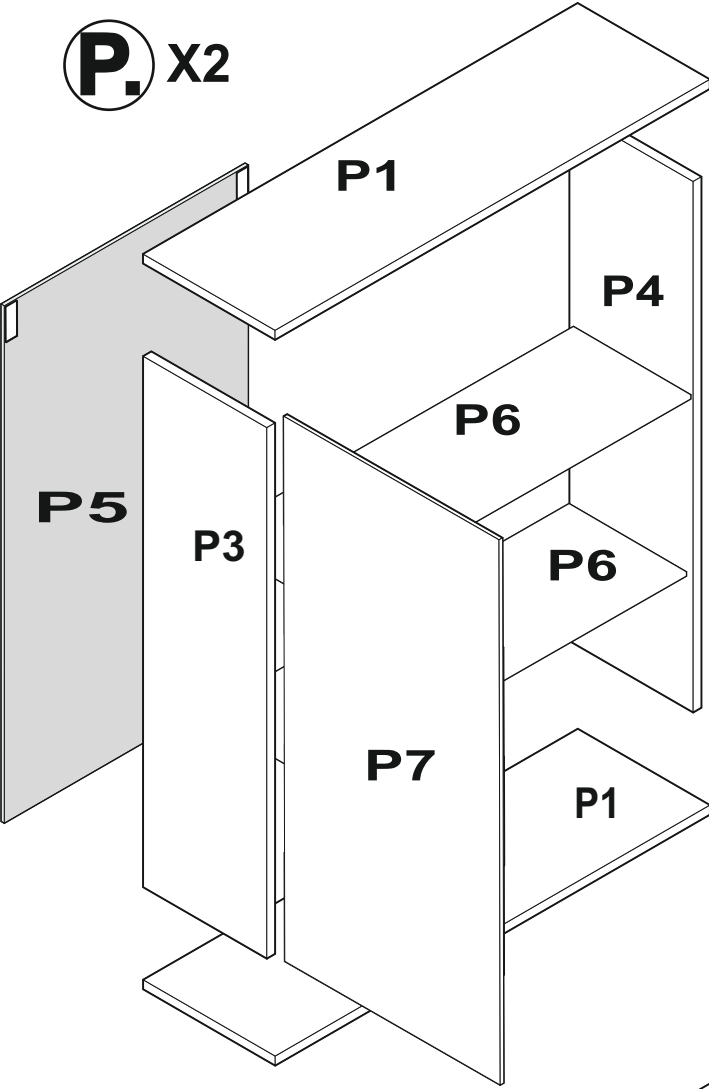


**B**

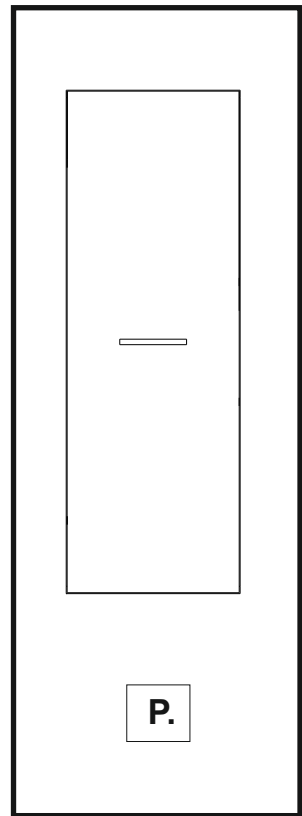
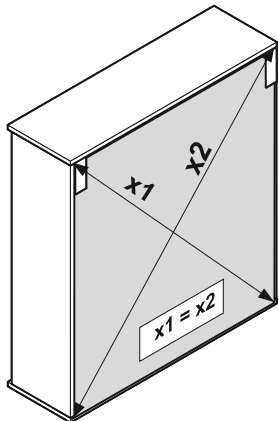
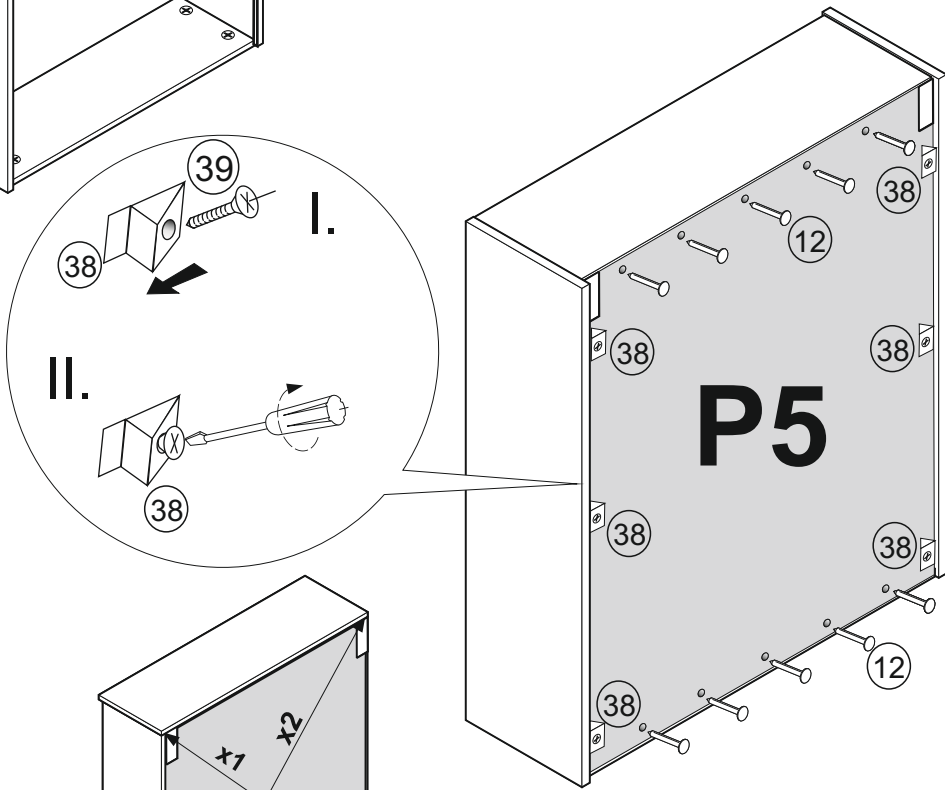
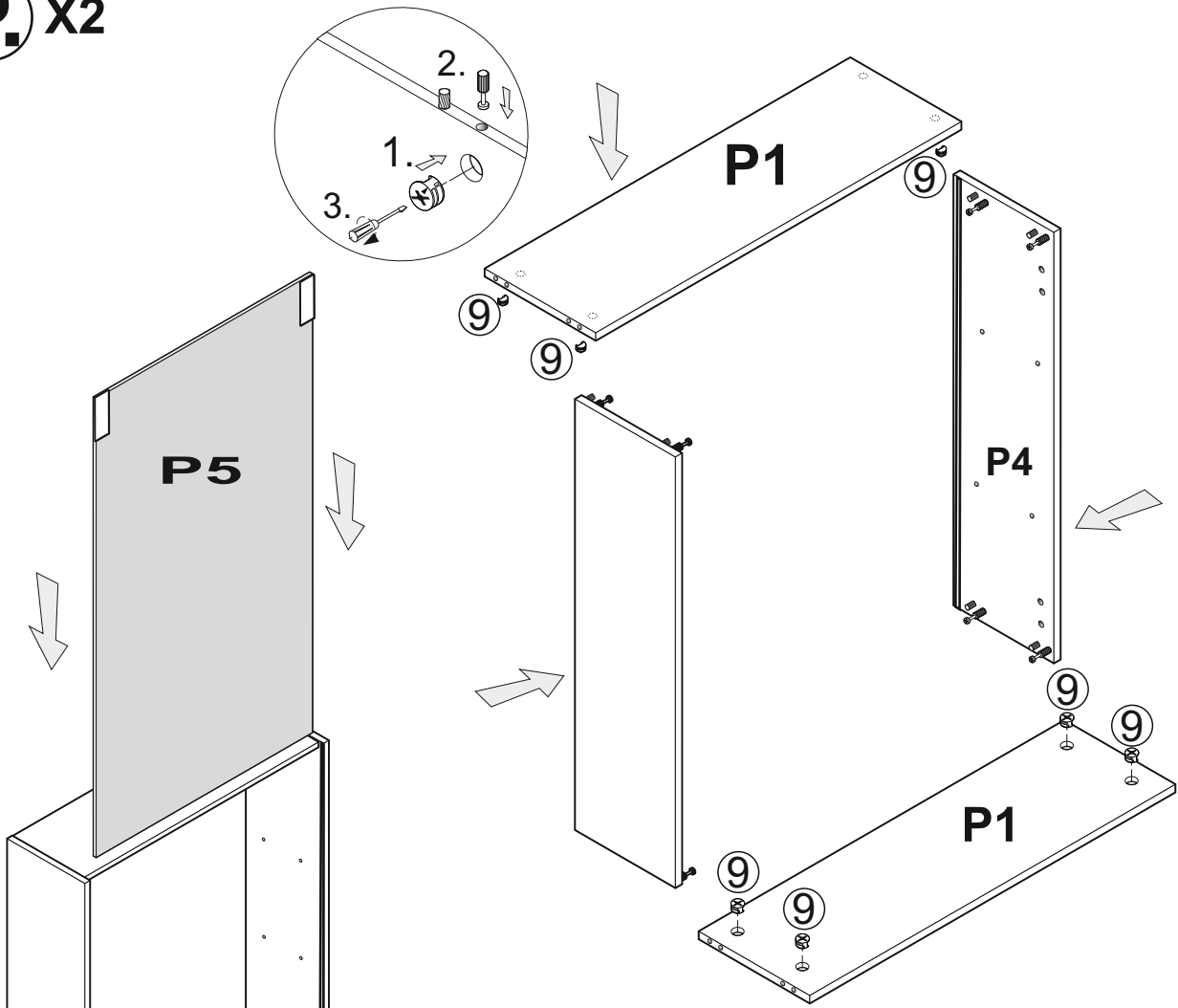




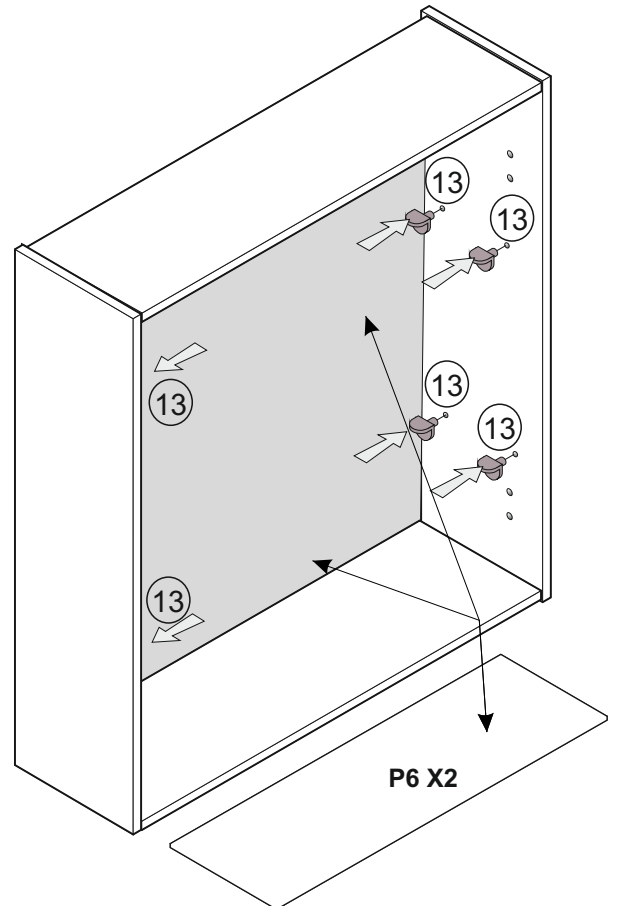
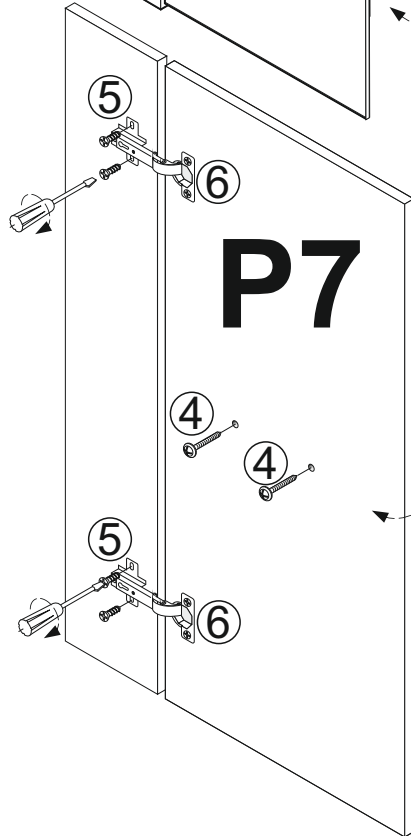
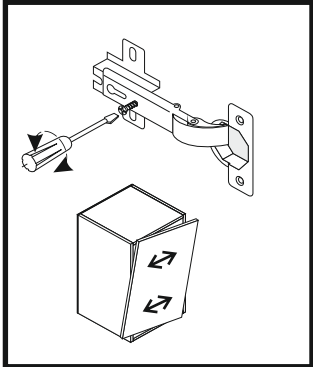
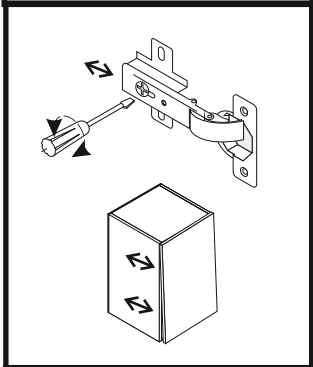
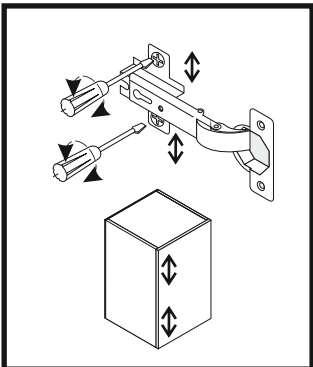
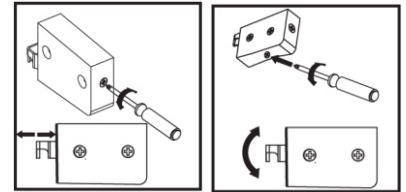
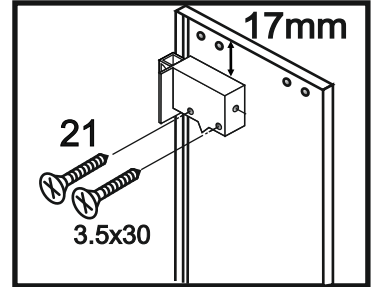
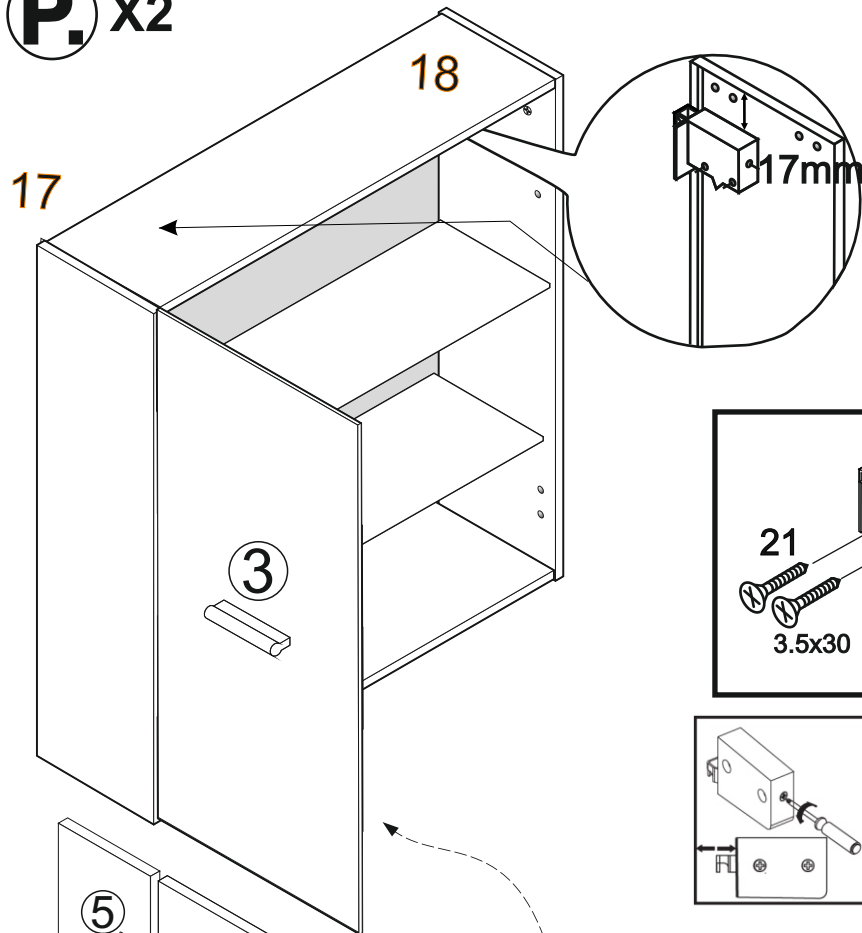
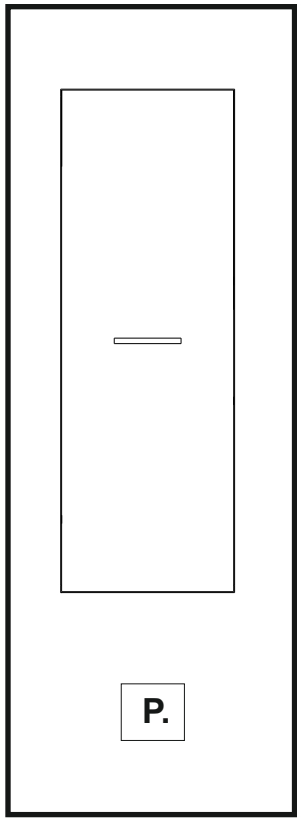
**P.** X2



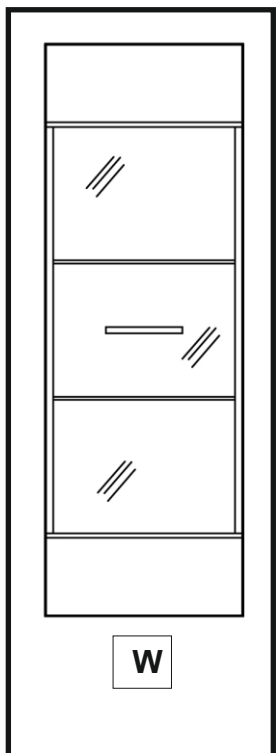
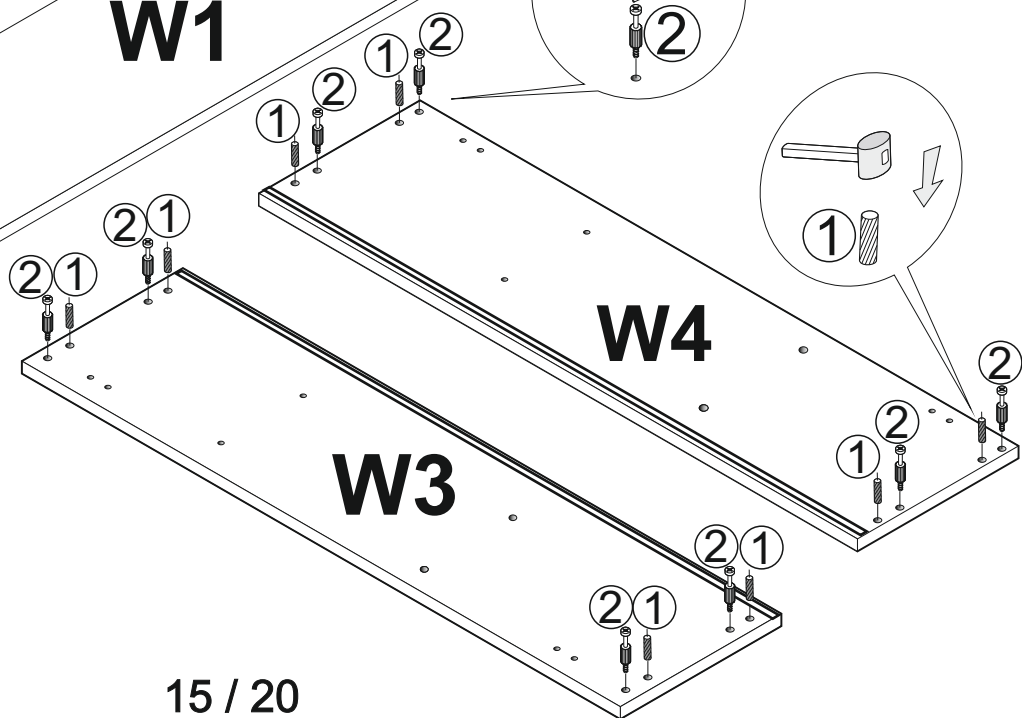
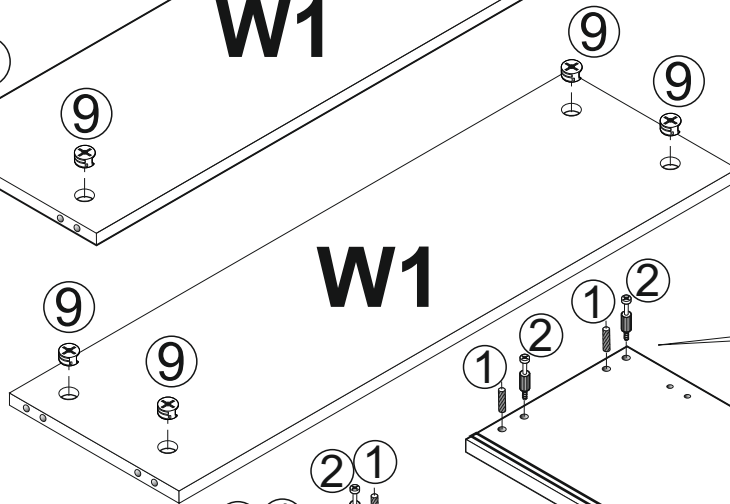
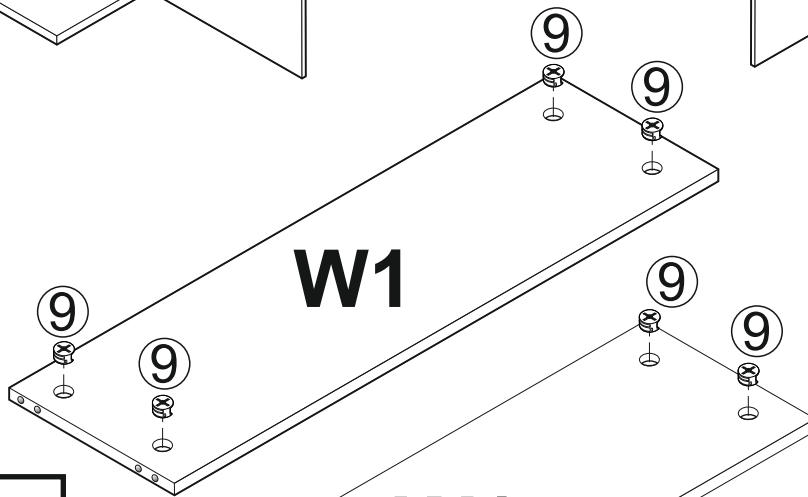
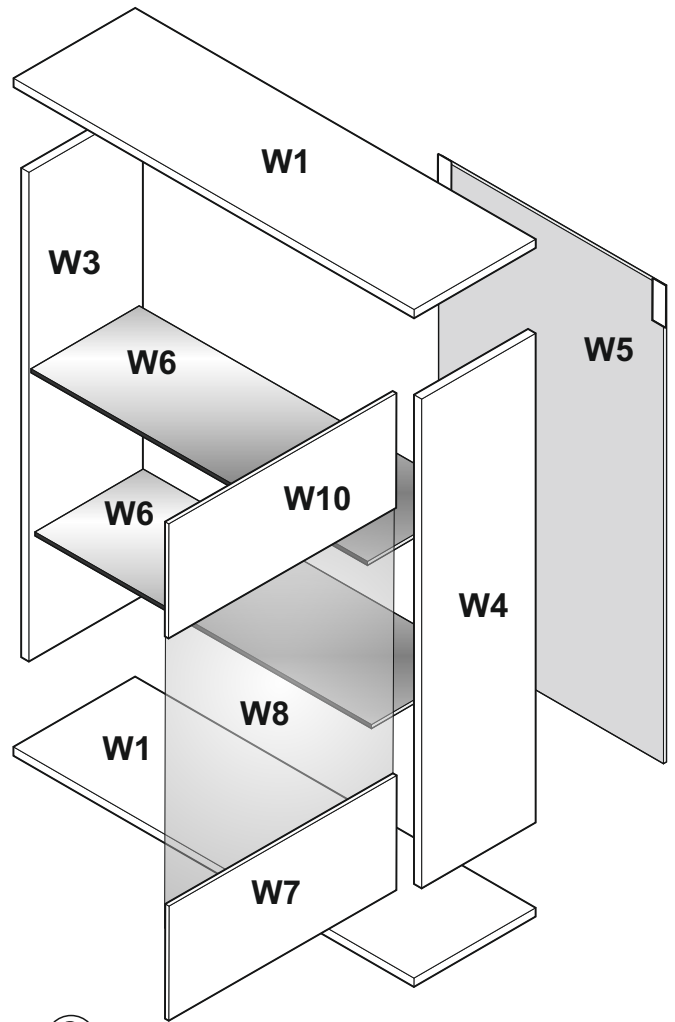
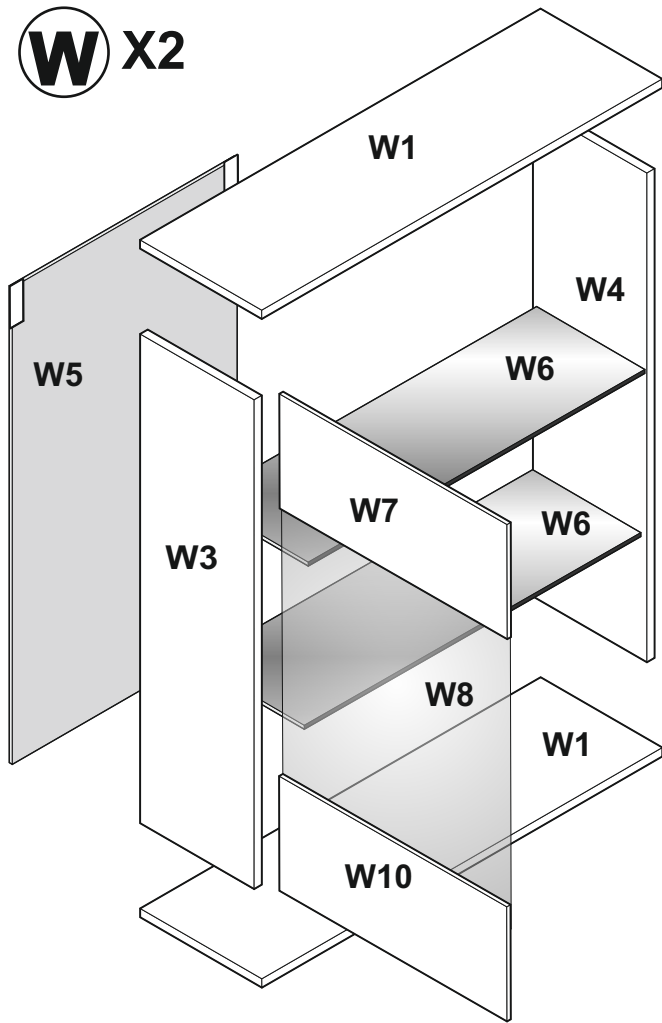
**P.** x2



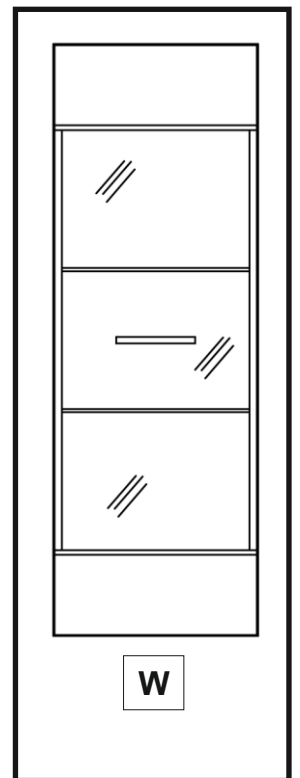
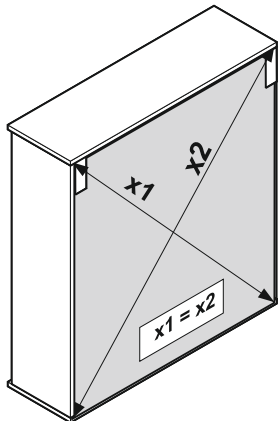
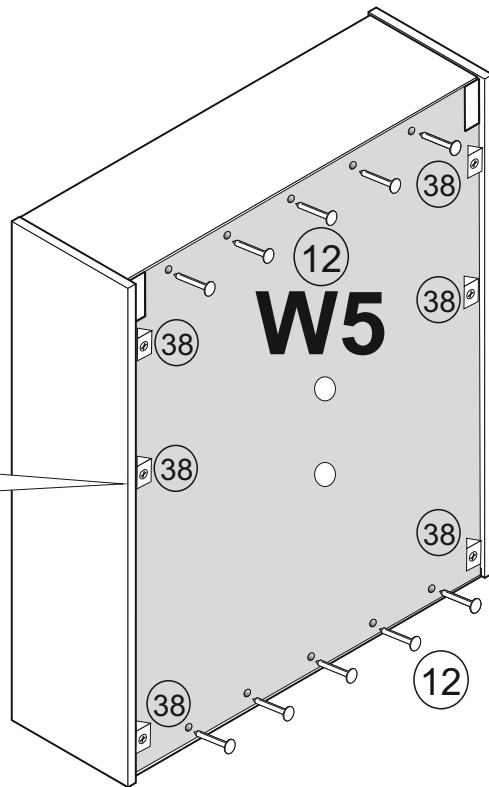
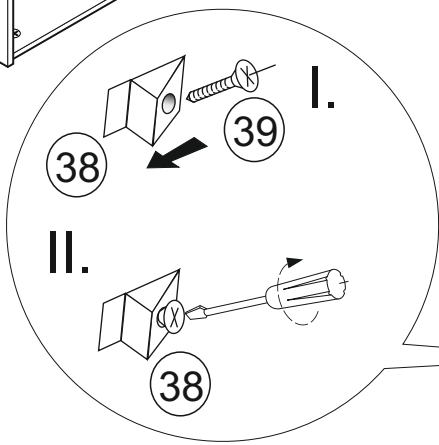
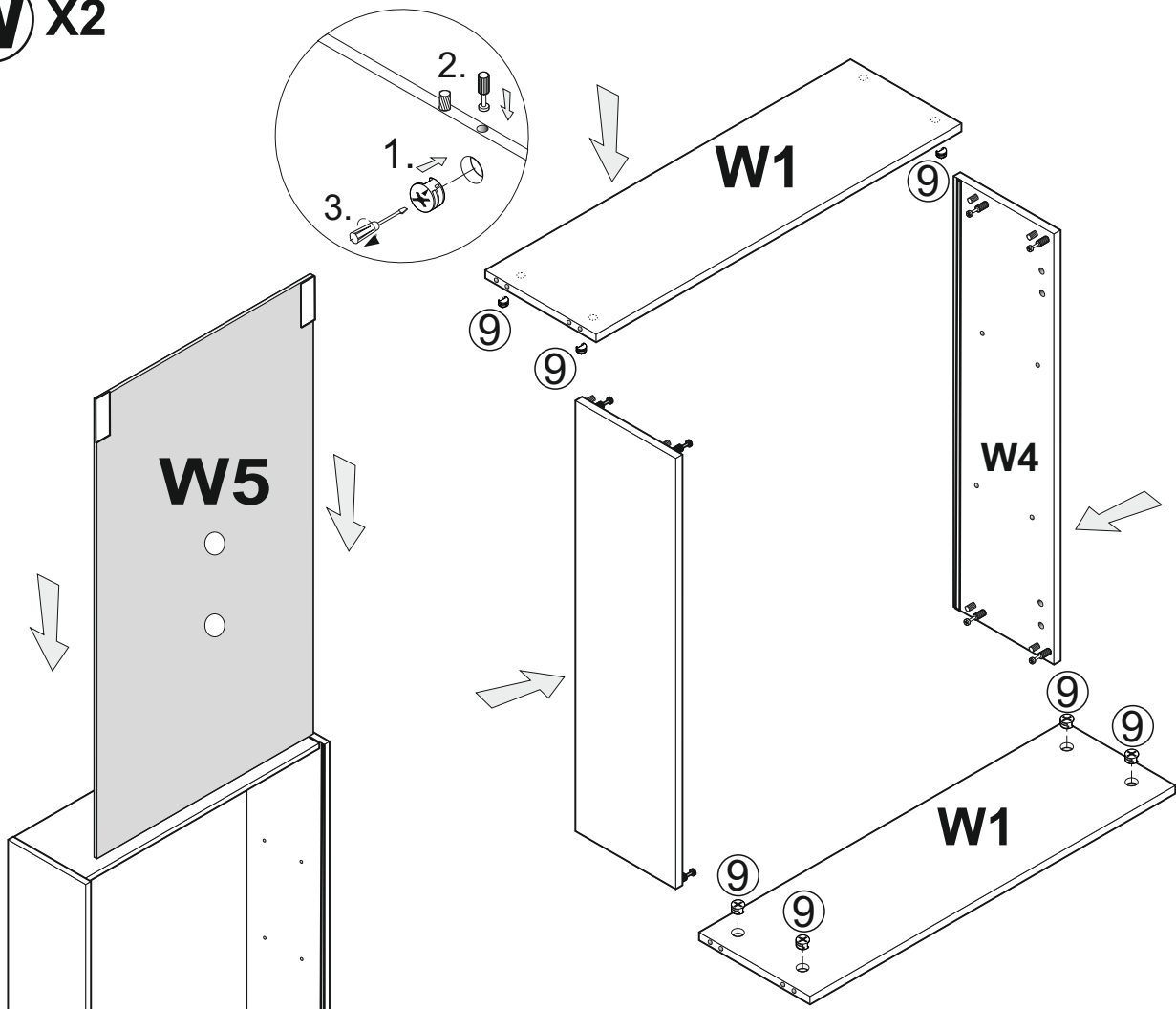
**P.** X2



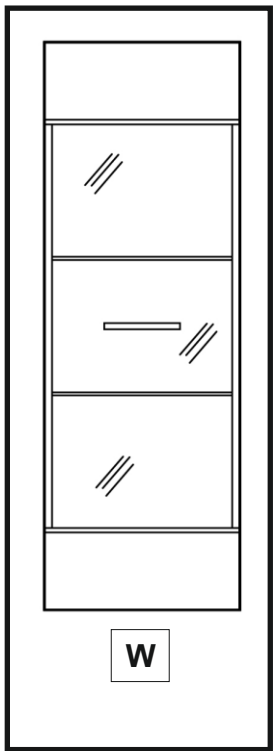
**W** X2



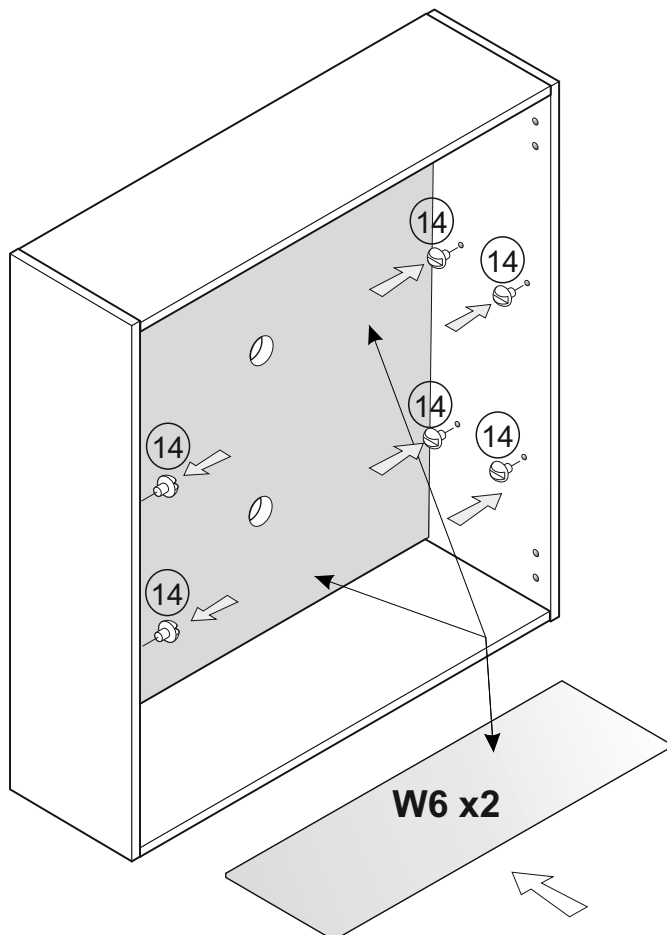
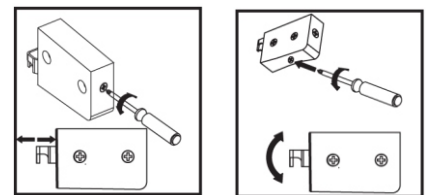
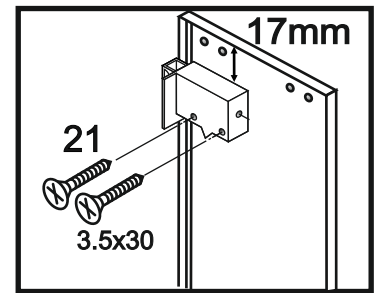
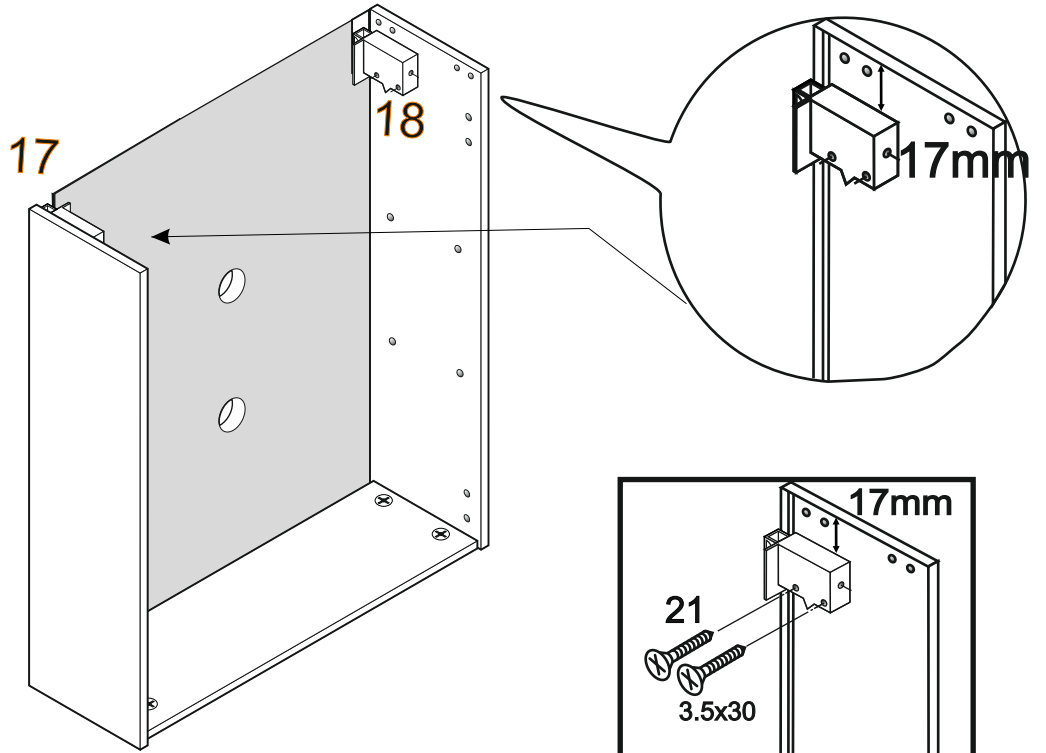
**W** X2



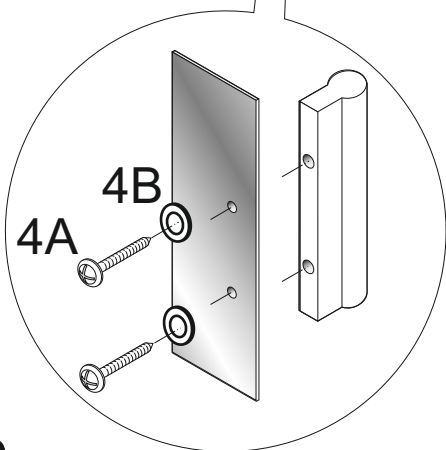
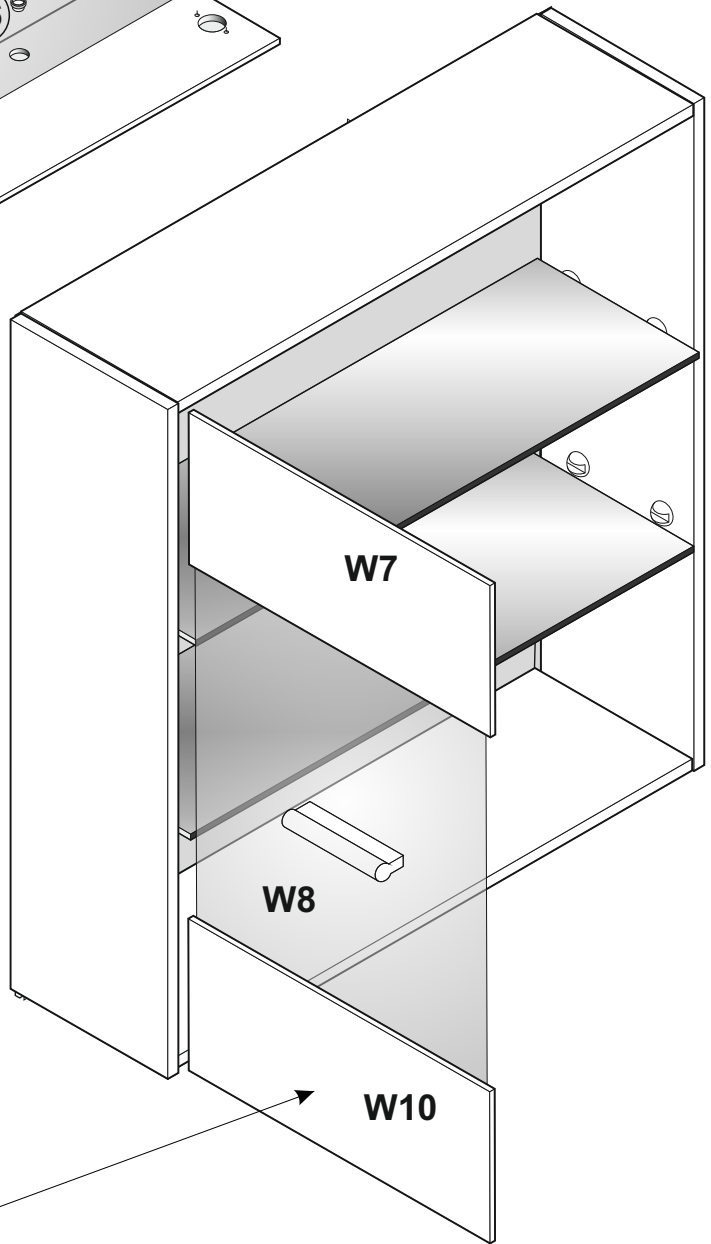
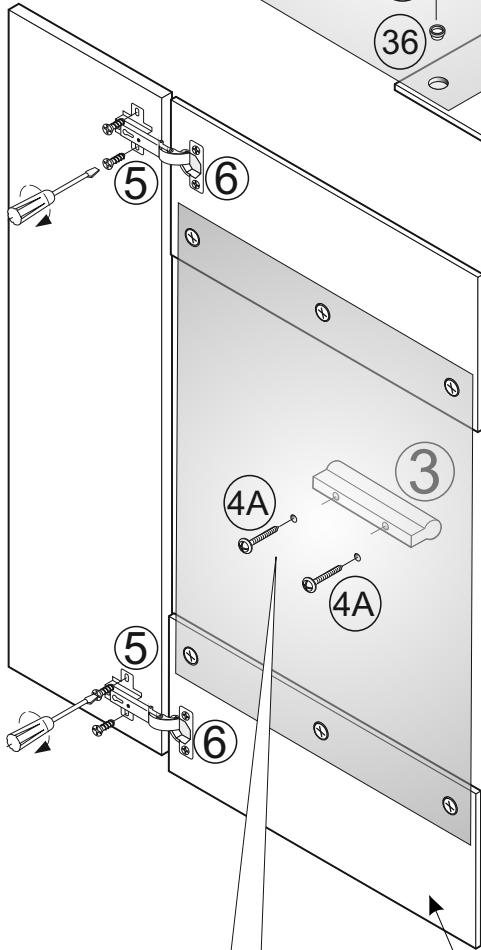
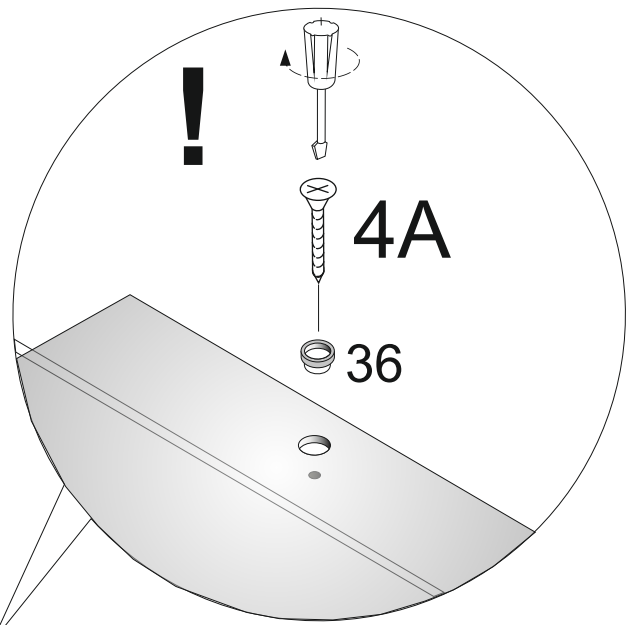
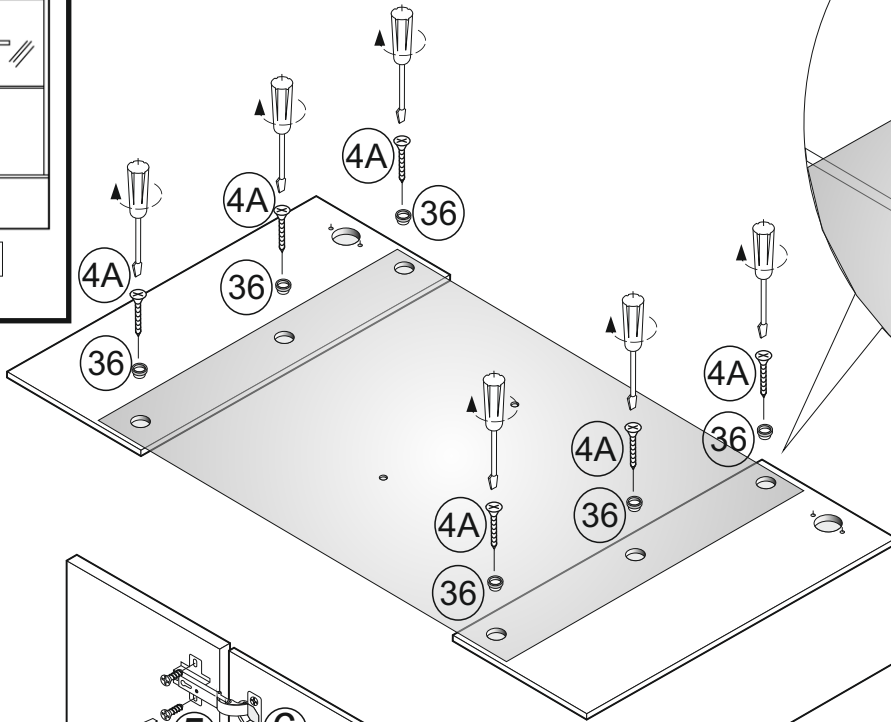
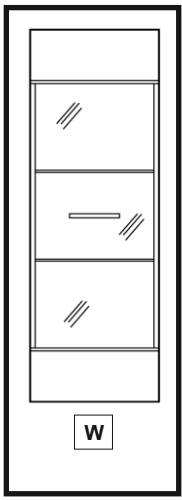




**W** X2

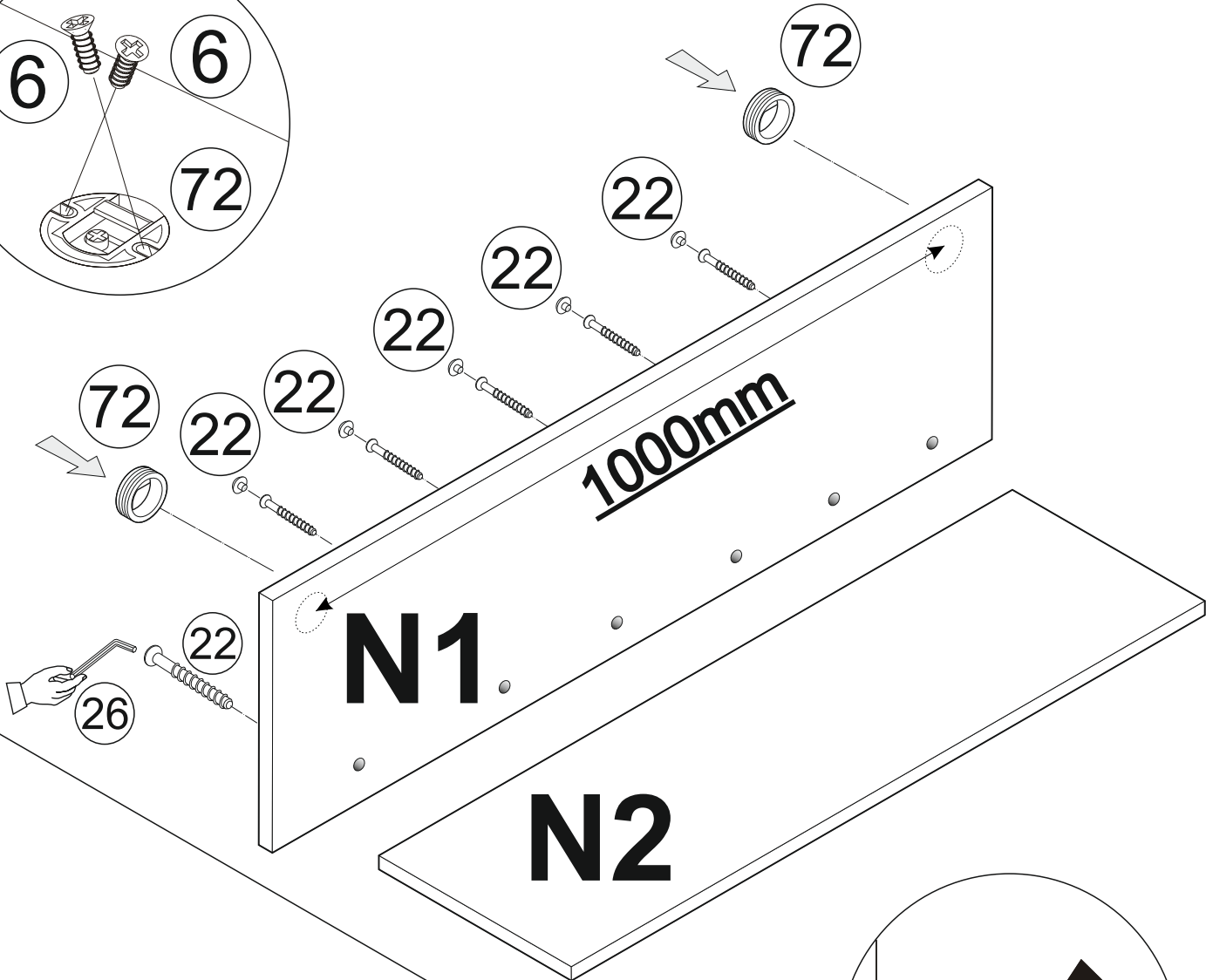
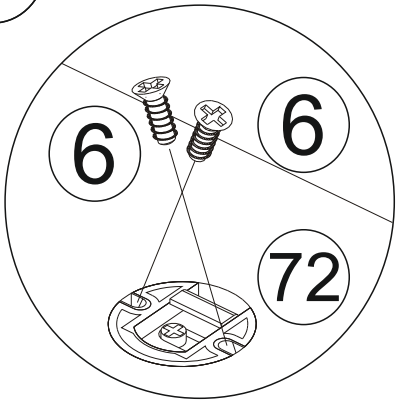


**W** X2

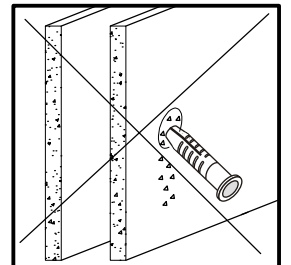
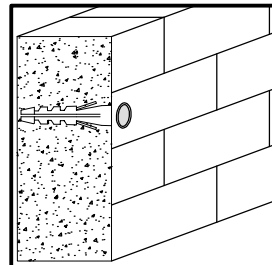
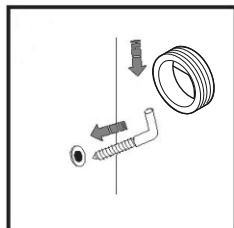
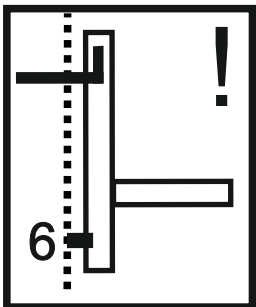
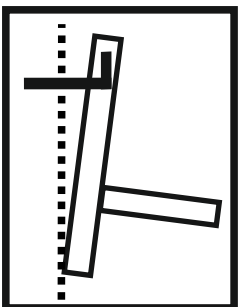
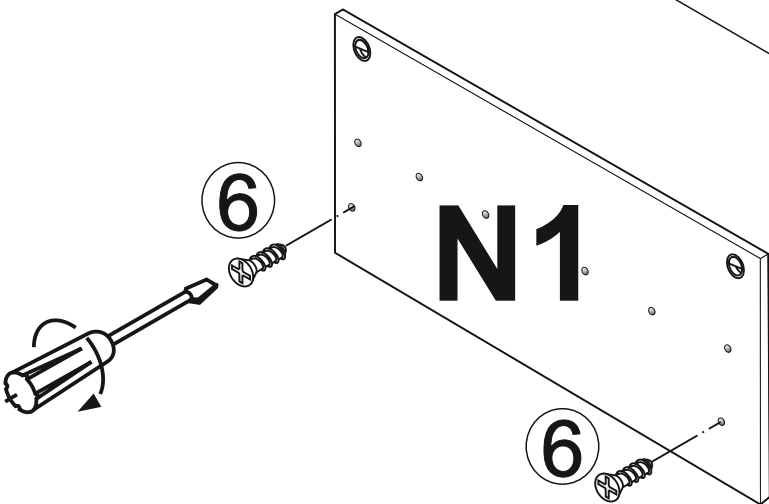
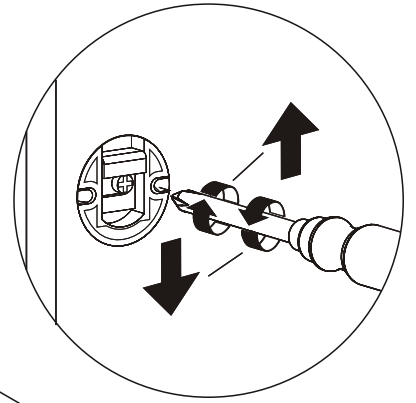


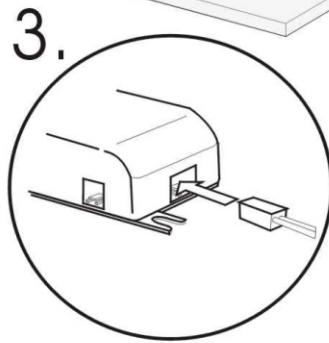
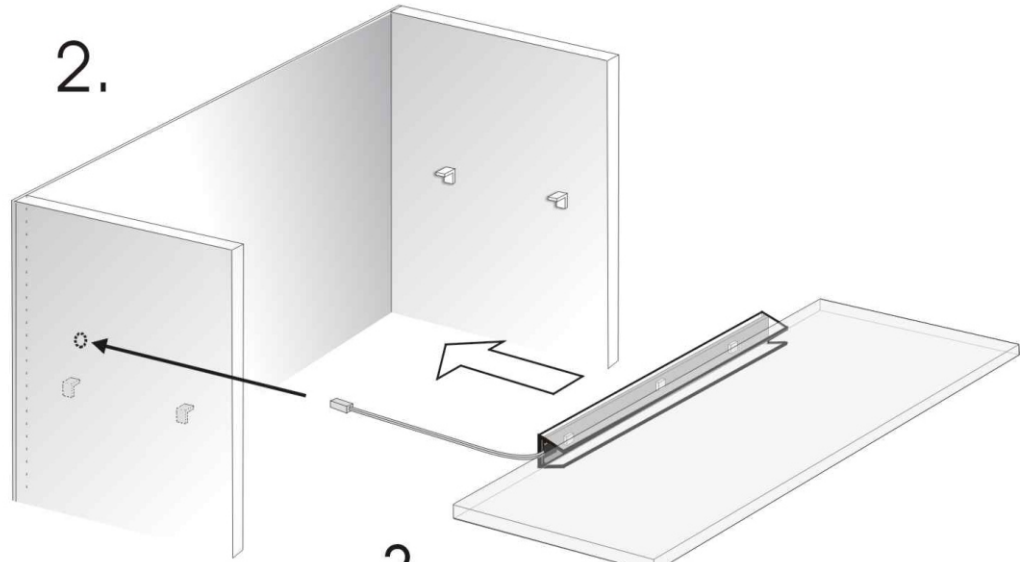
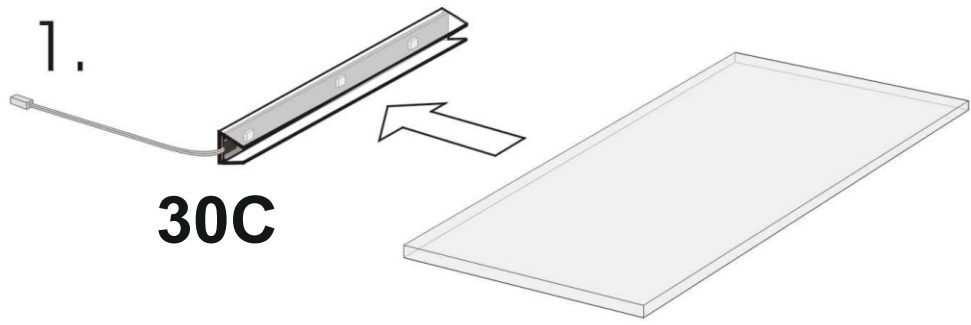
I

N



II





4.

**30A**

3.

**30B**

