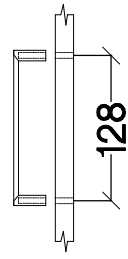
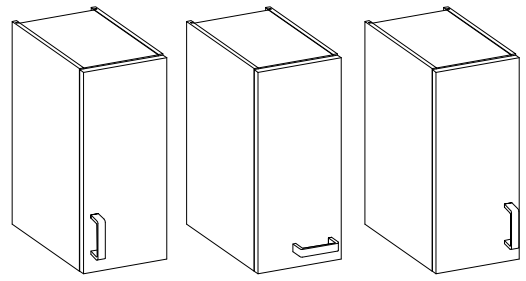
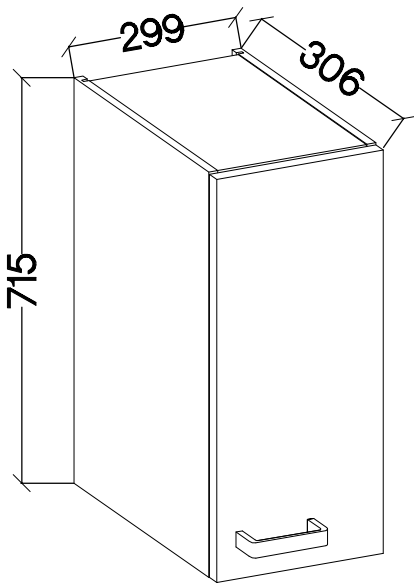
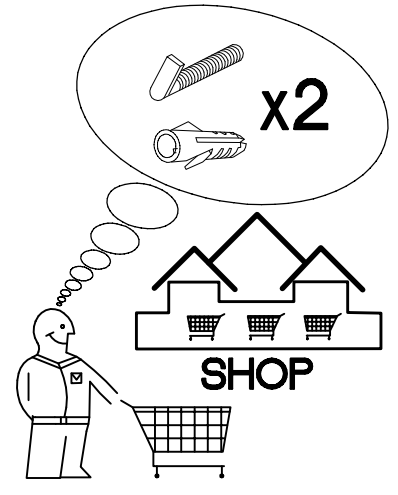
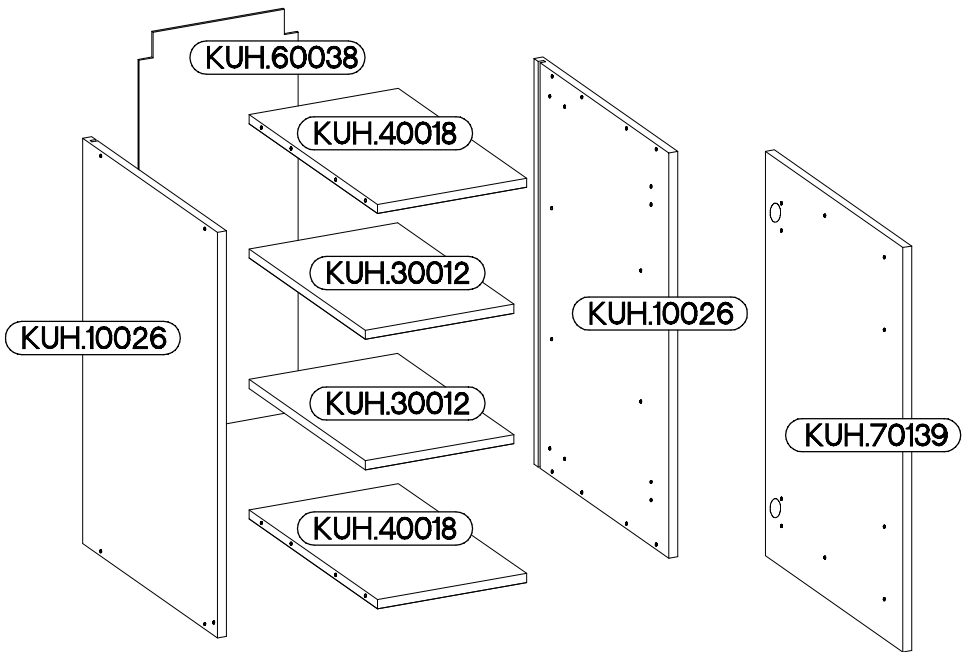
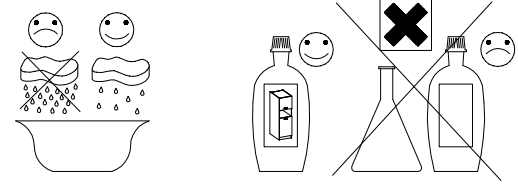
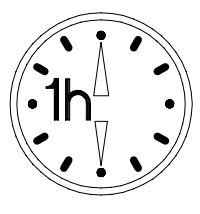


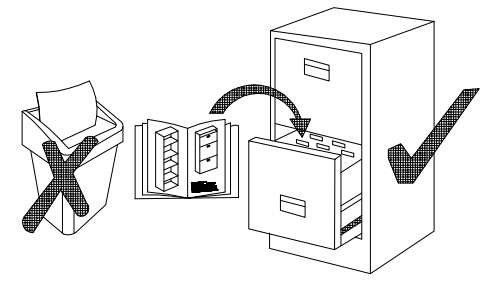
30 G-72 1F



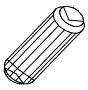
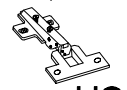

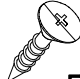
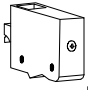
KUH.30012
KUH.40018

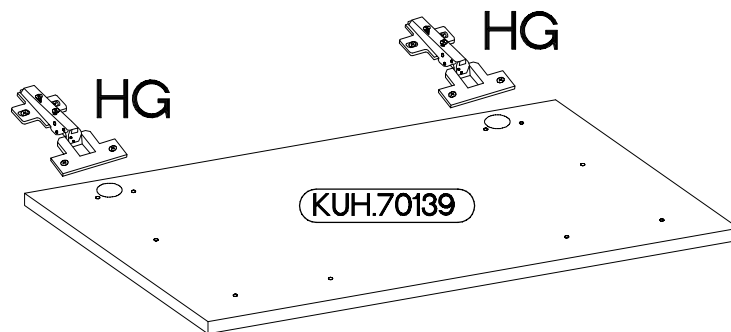
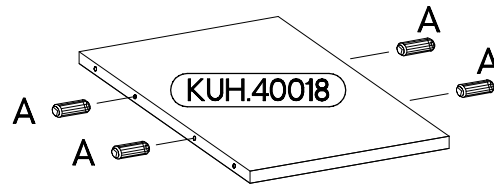
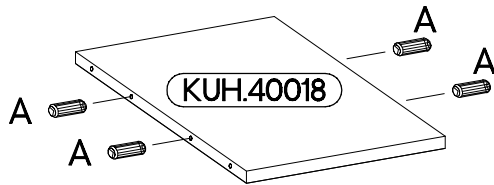
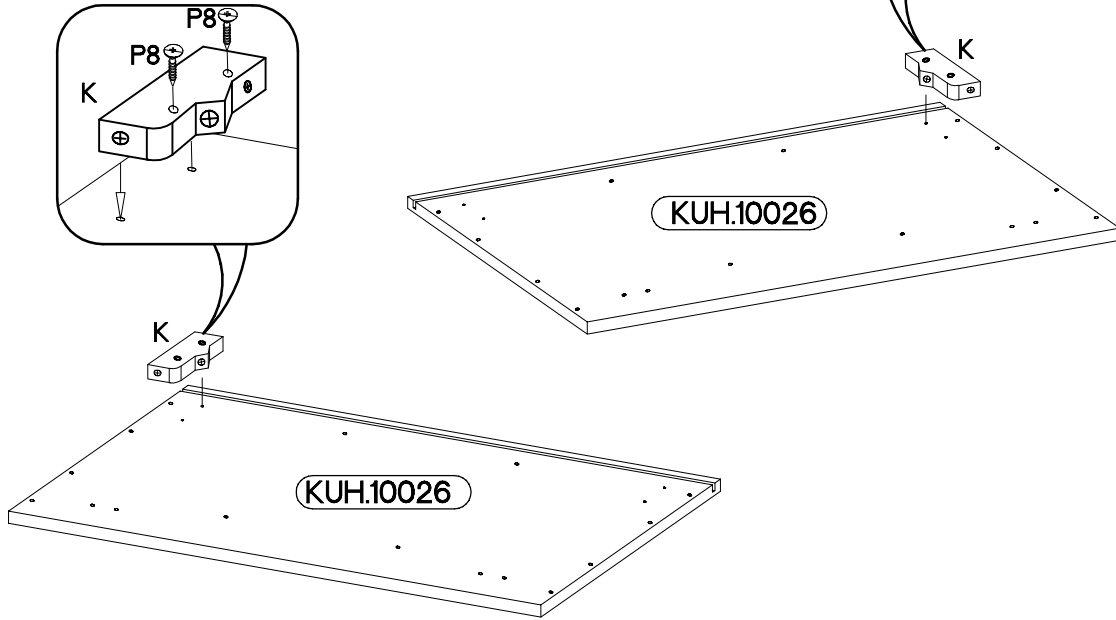
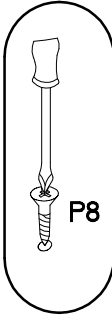
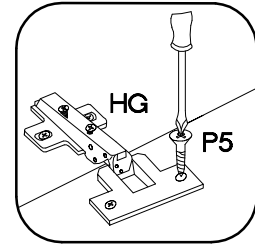
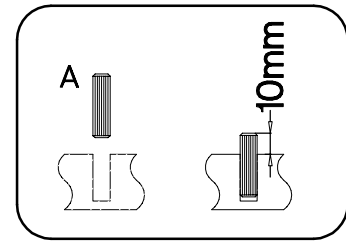
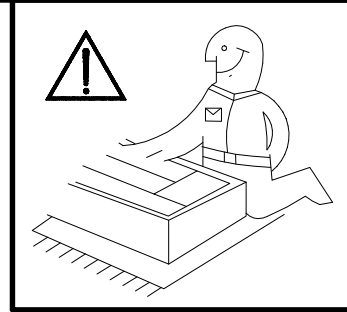


 A 8	 B 8	 E1 8	 HG 2	 J 8	 K 2
 O 1	 P5 4	 P7 8-10	 P8 4	 U 2	 S23 1

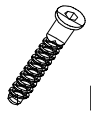
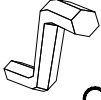



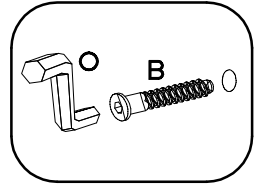
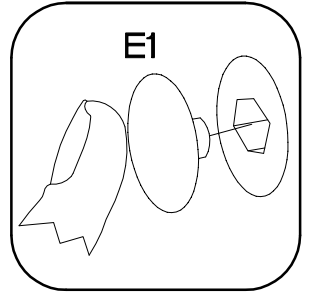
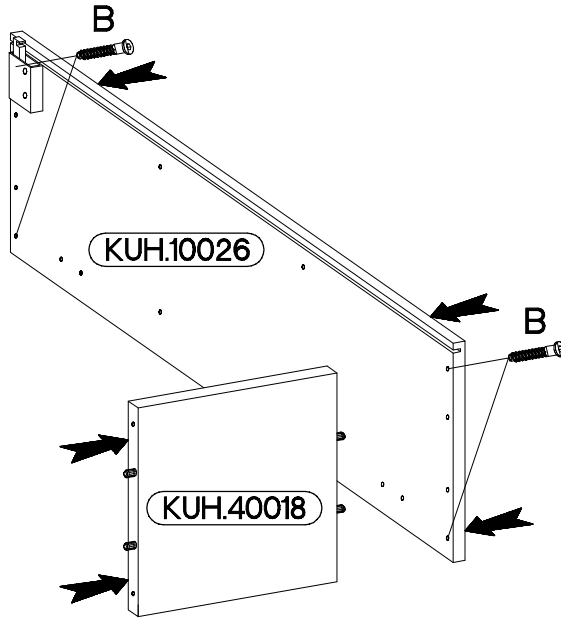
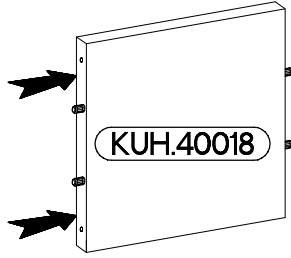
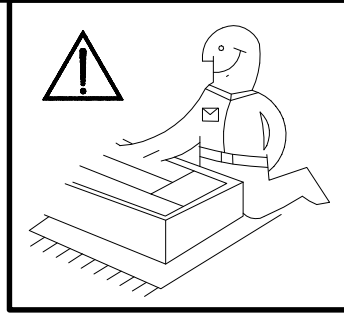
ISM-KUH-00946

±8x30mm	±35/0mm	±3.5x13mm	±4.0x30mm	
				
A	HG	P5	P8	K
8	2	4	4	2


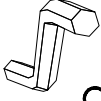



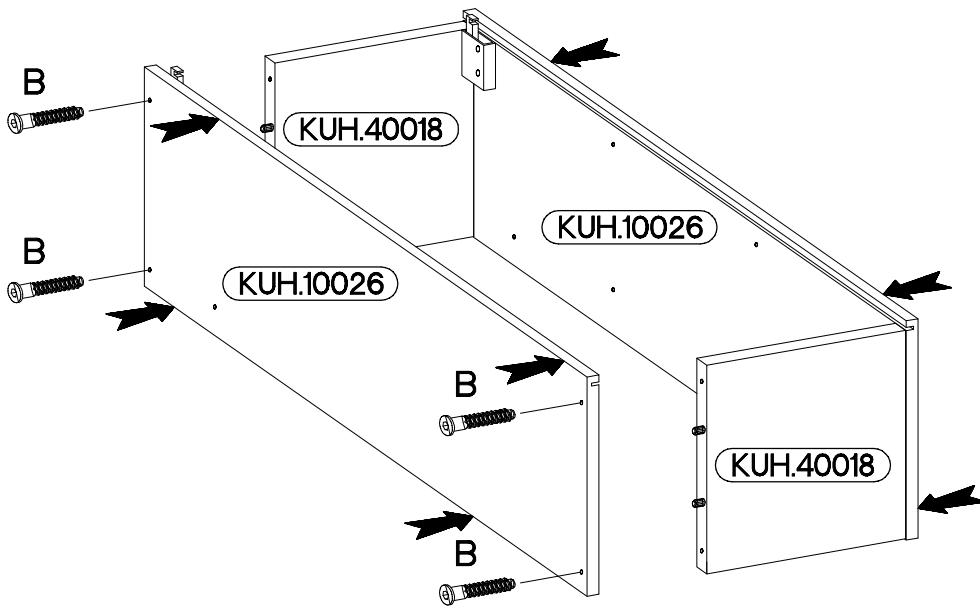
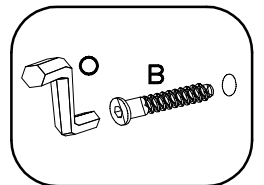
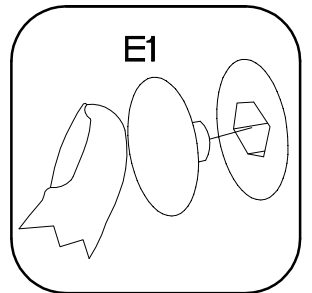
2

6,4 x 50mm  B 4	 O 1	 E1 4
--	--	---

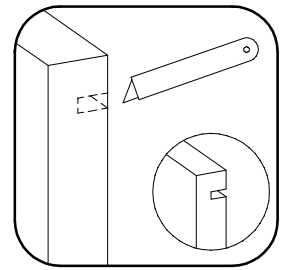
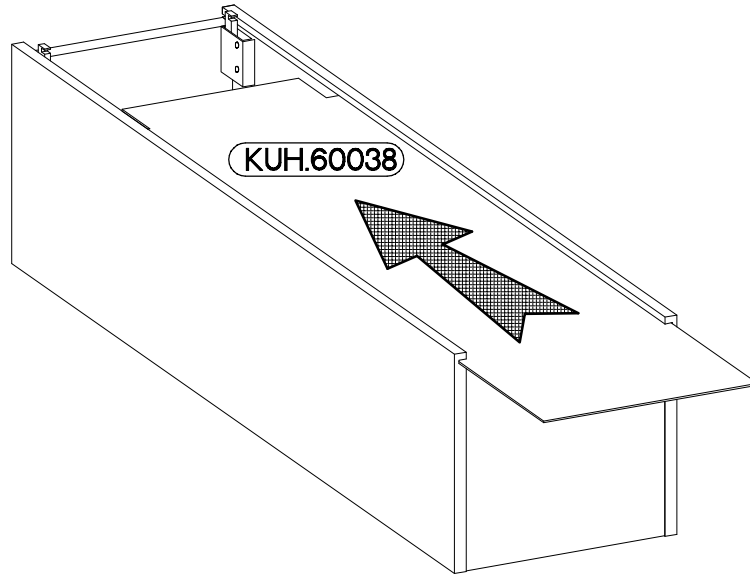
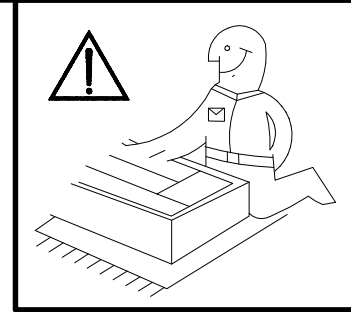
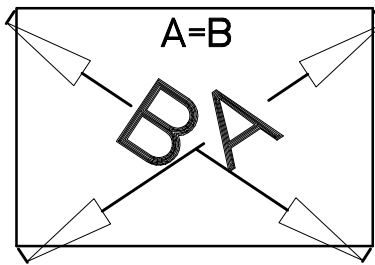


3

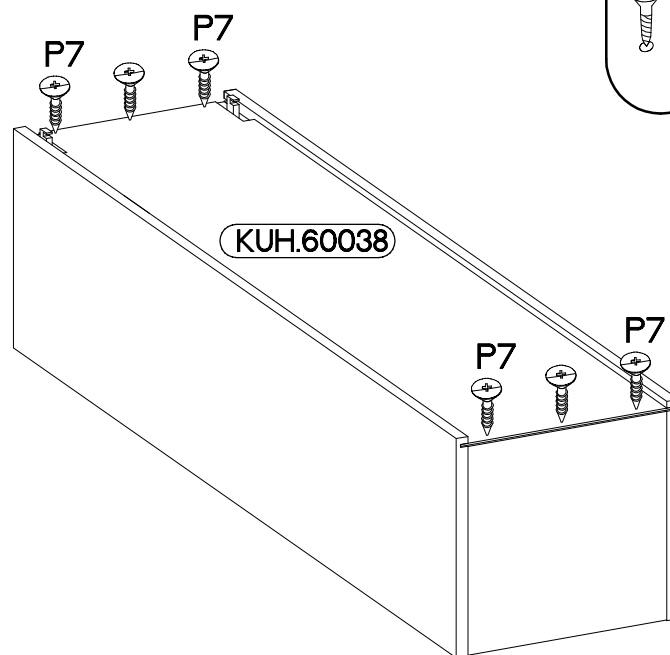
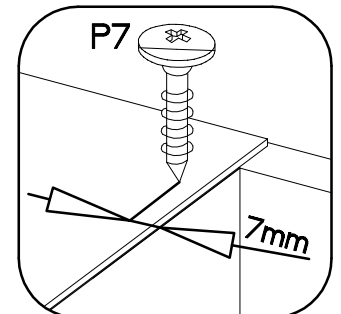
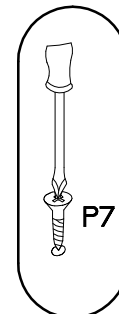
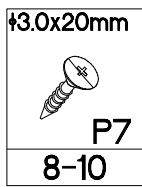
6,4 x 50mm  B 4	 O 1	 E1 4
---	---	--



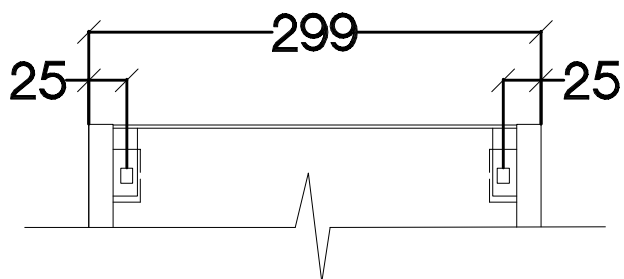
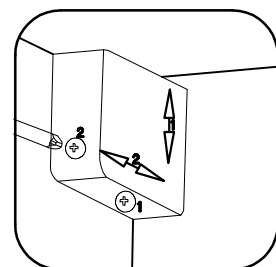
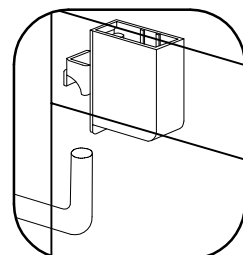
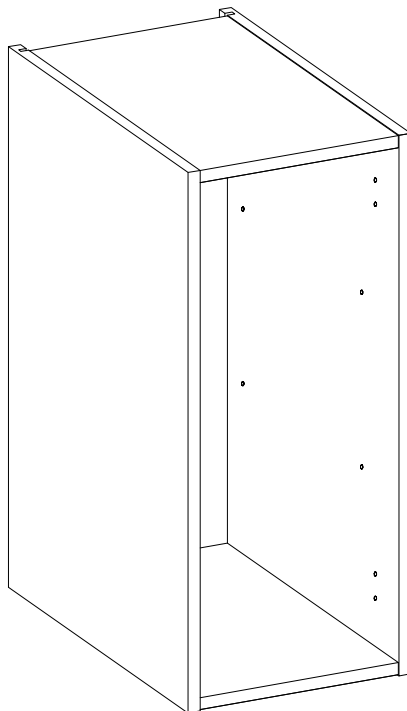
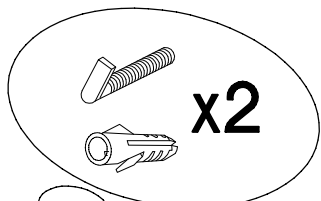
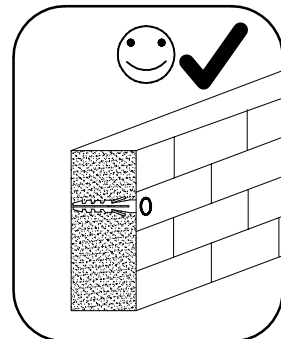
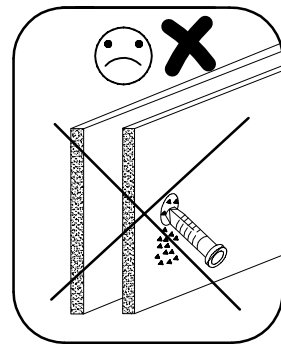
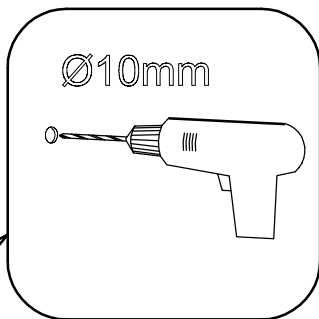
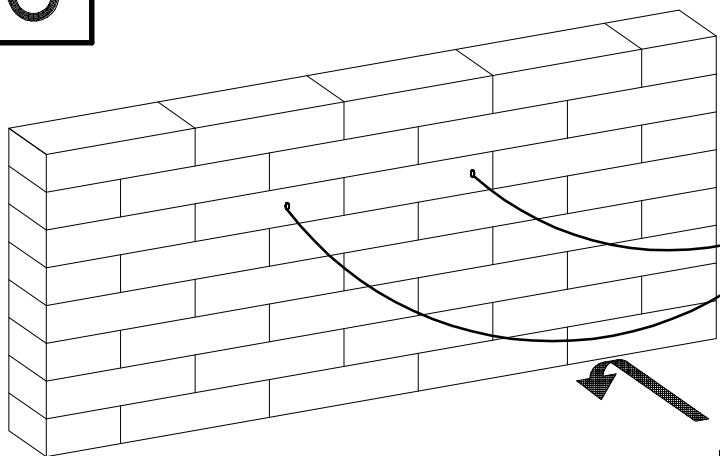
4



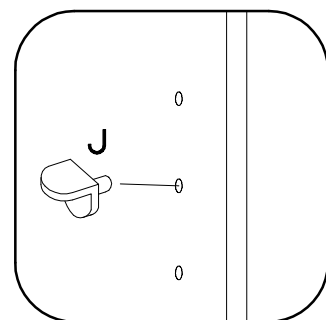
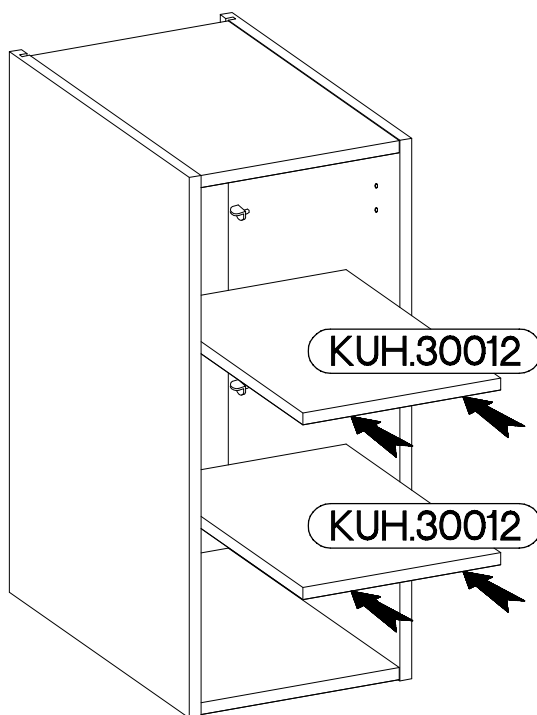
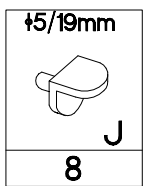
5

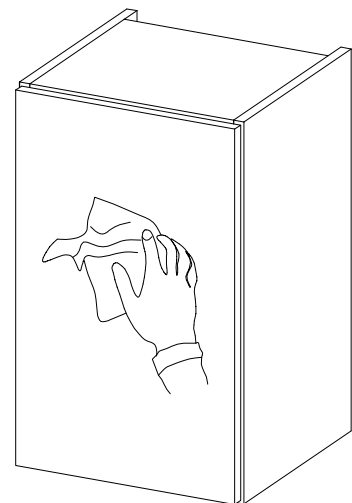
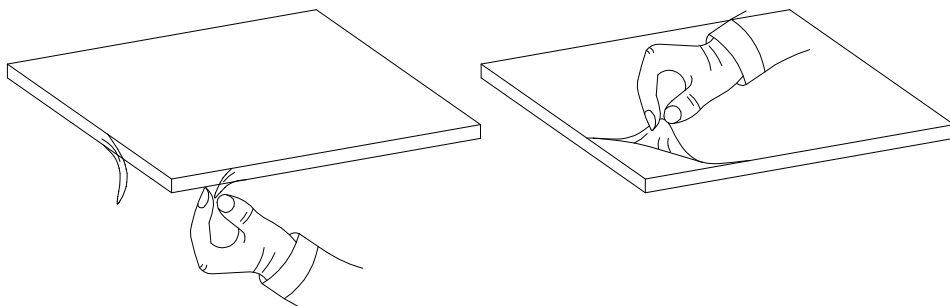
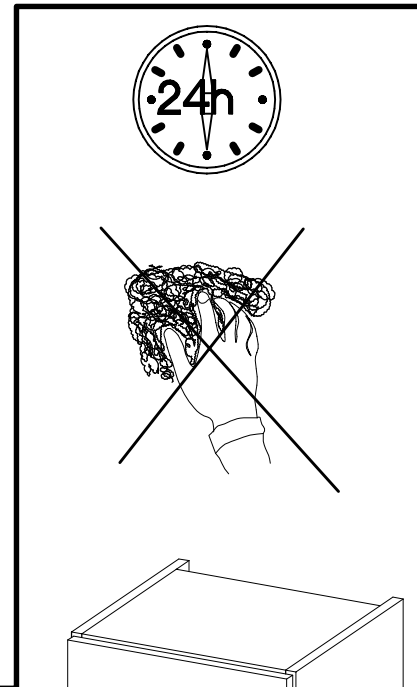
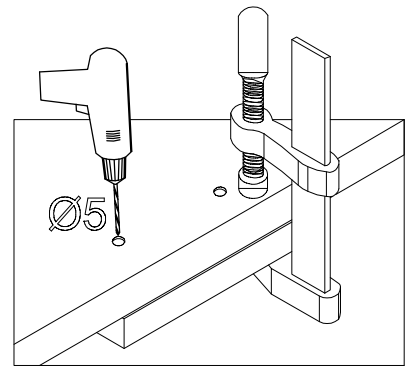
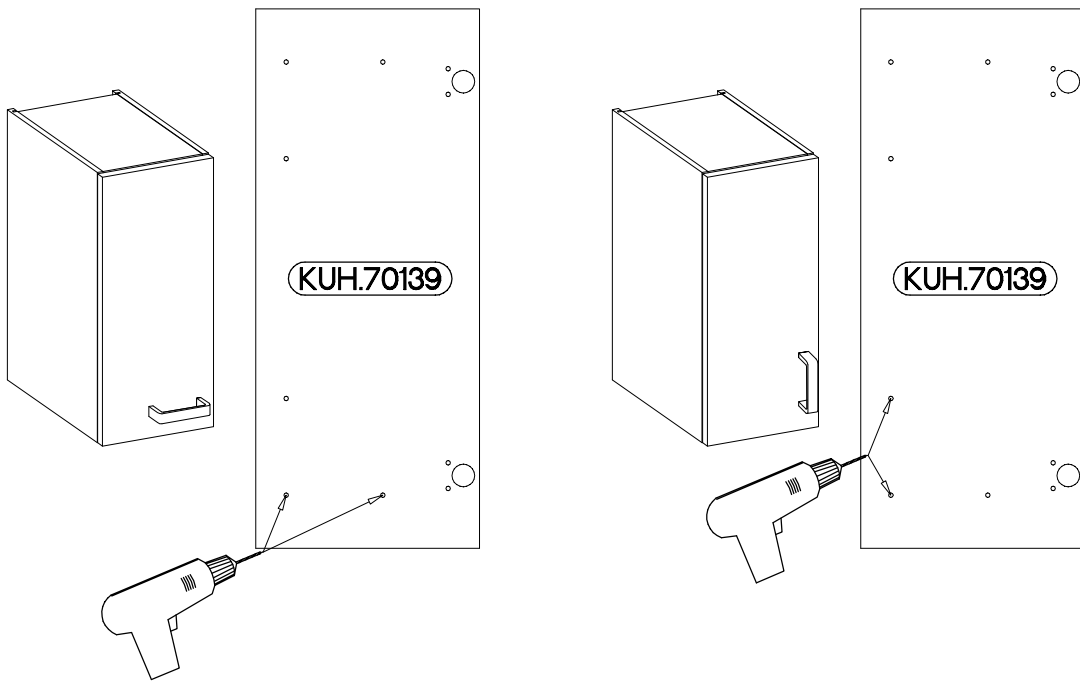
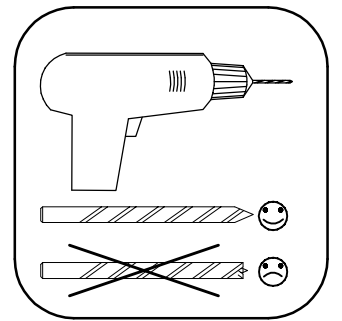
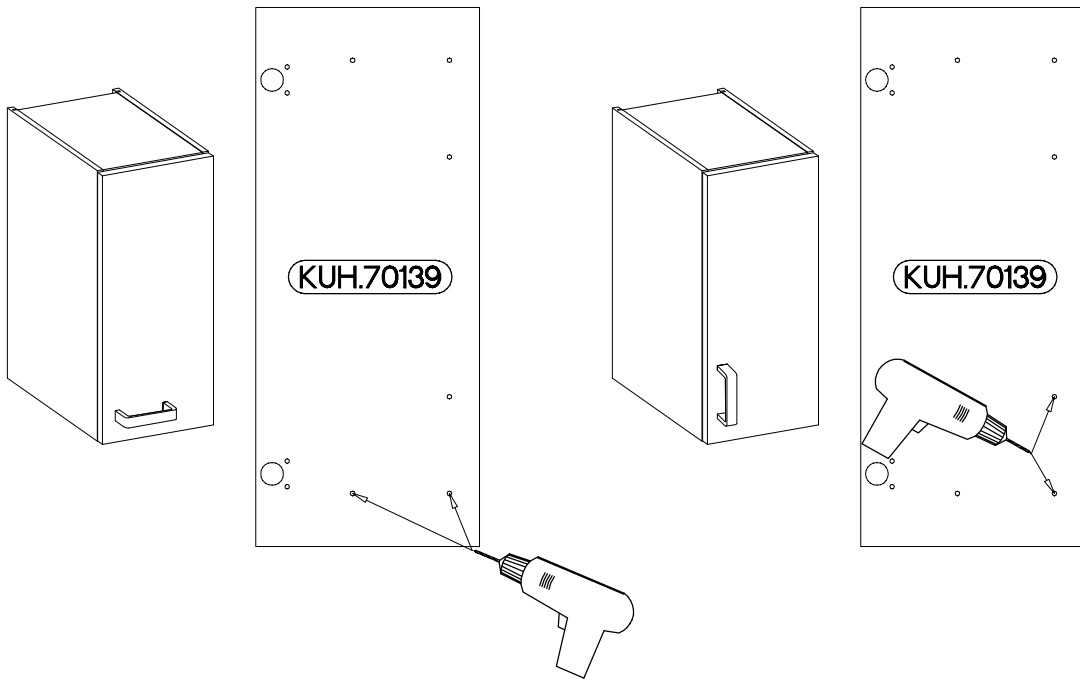



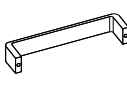
6

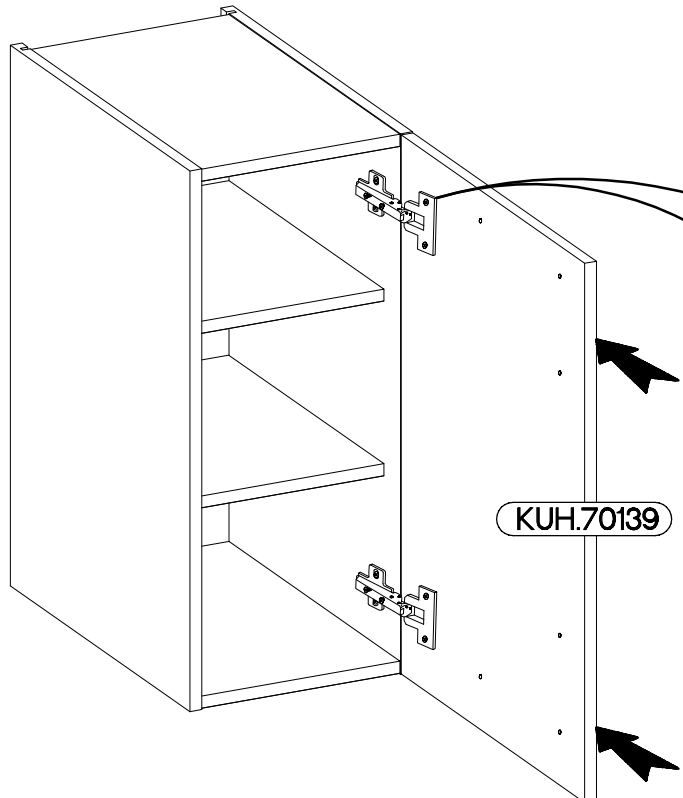
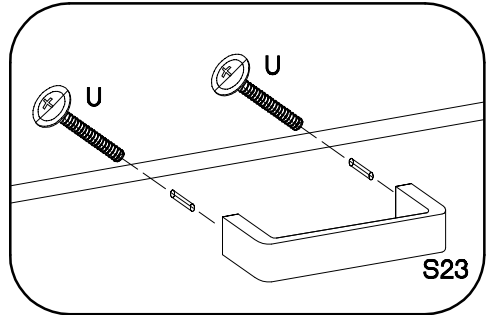
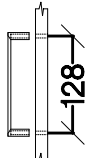


7





M4x22mm		
	U	S23
2		1



KUH.70139

