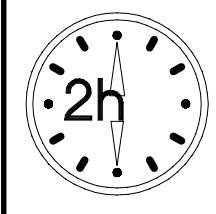
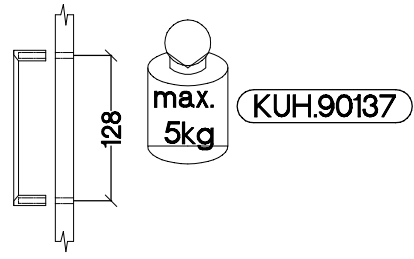
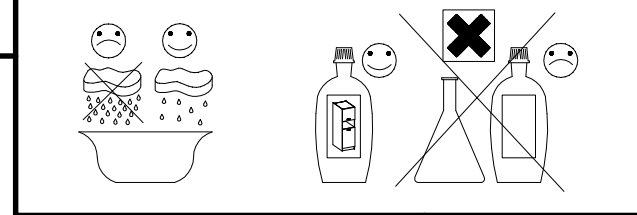
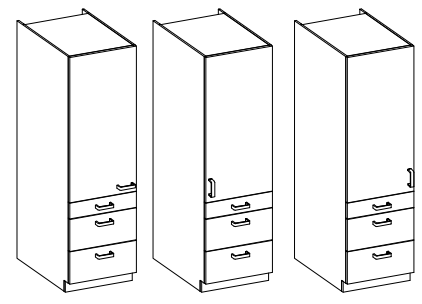
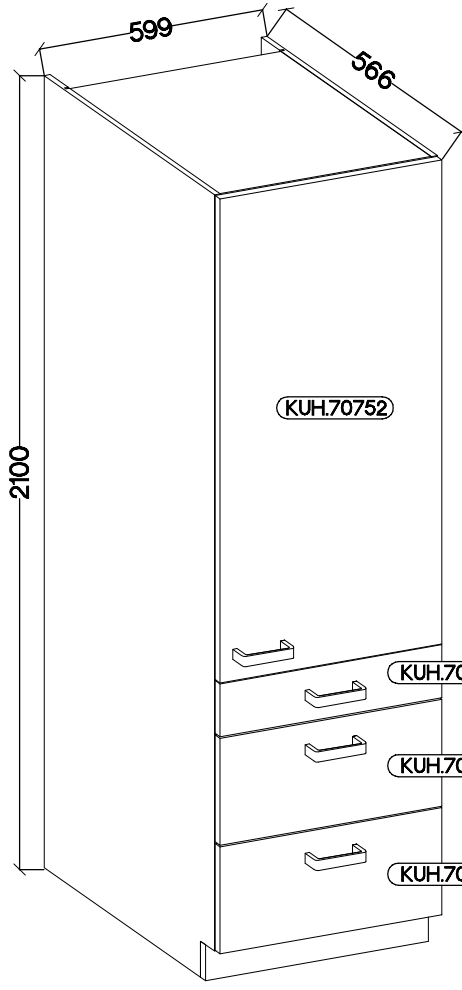


60 DKS-2100 1F 3S



2100

599

566

KUH.70752

KUH.70519

KUH.70520

KUH.70520

KUH.70752

KUH.90140

KUH.90137

KUH.70519

KUH.90142

KUH.90142

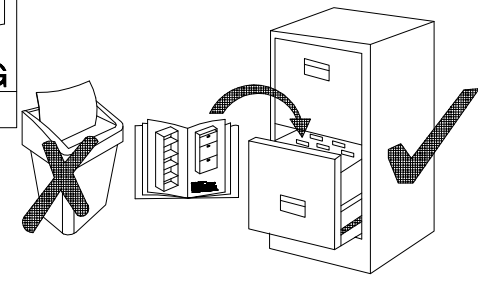
KUH.90137

KUH.90137

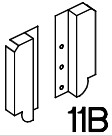
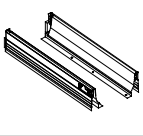

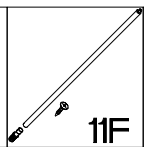




KUH.70520

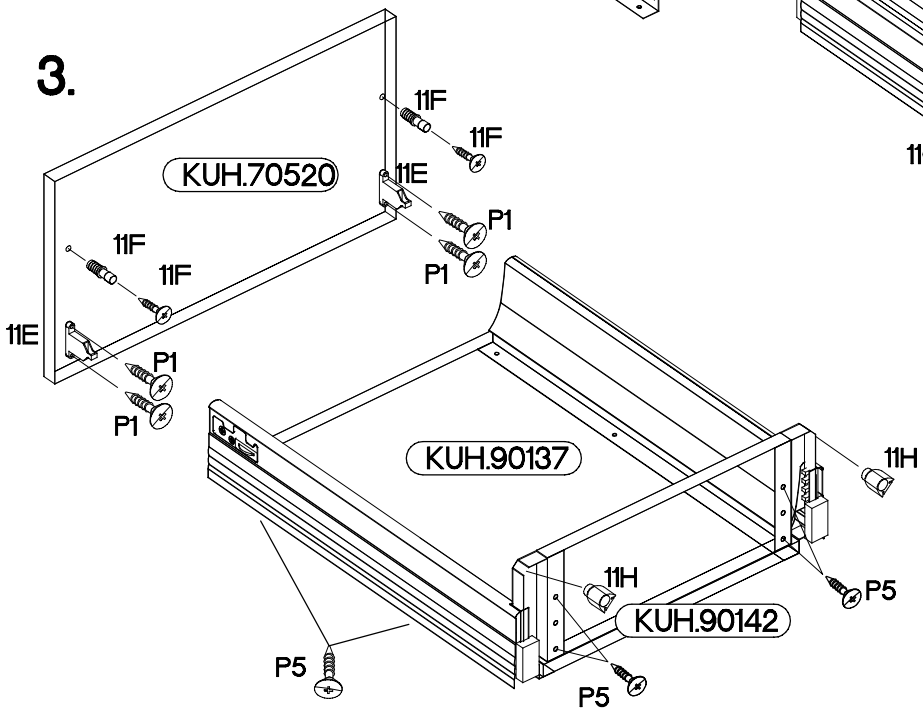
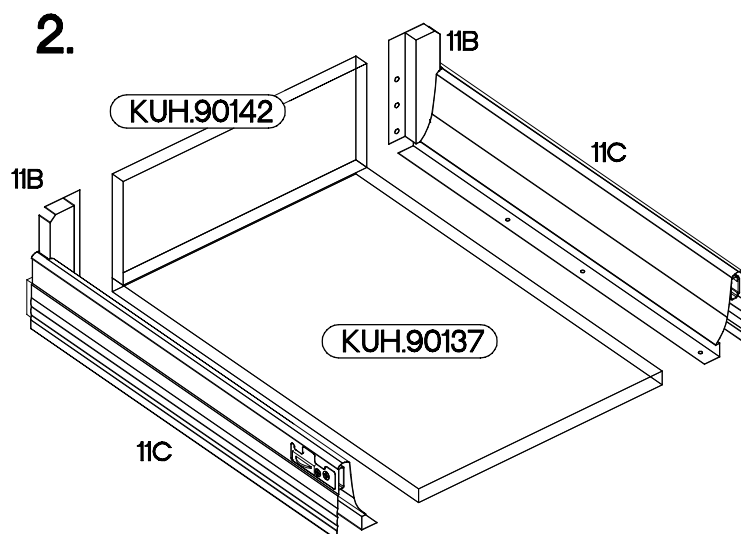
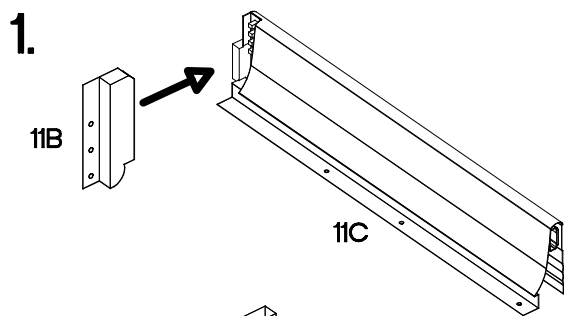
KUH.70520

3	2	3	1	6	4	6
4	3	12	24	30	2	4

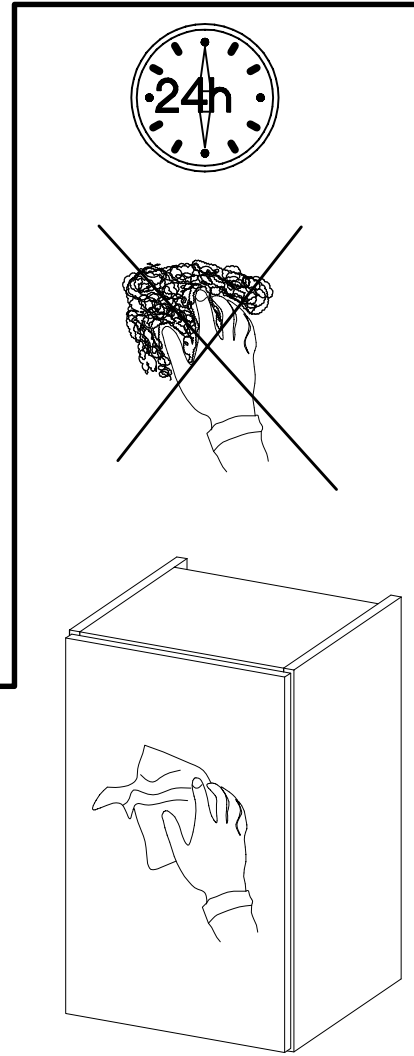
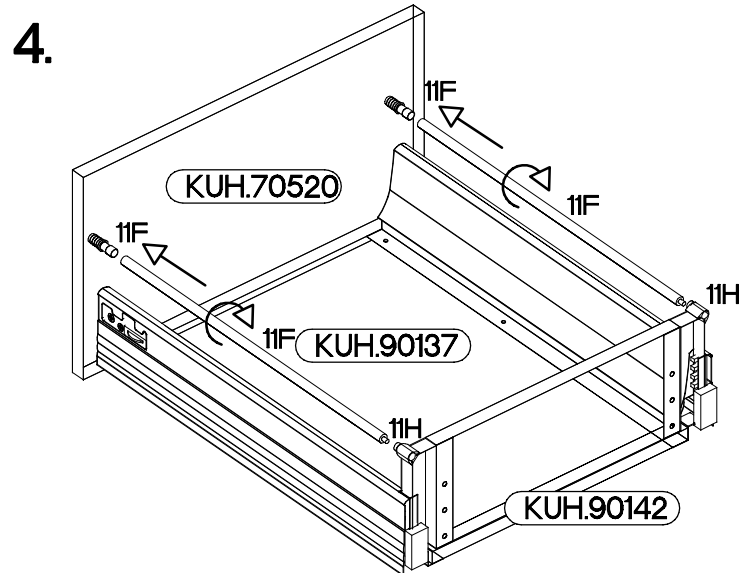


1

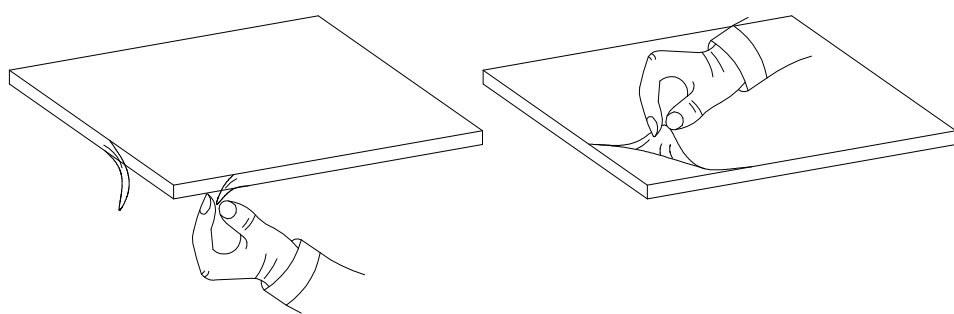
							
2	2	4	4	4	8	16	4

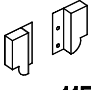
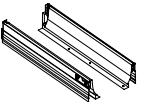
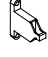





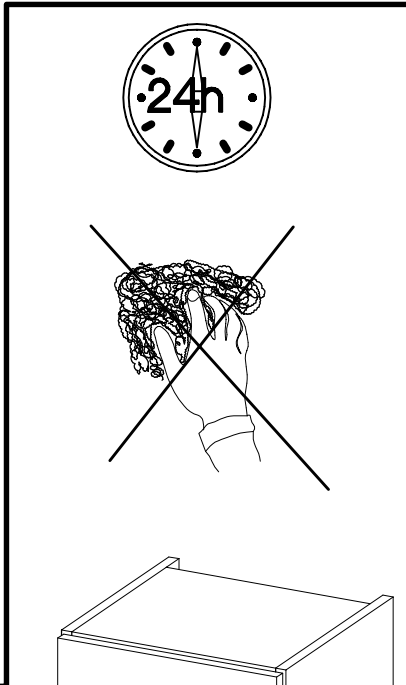
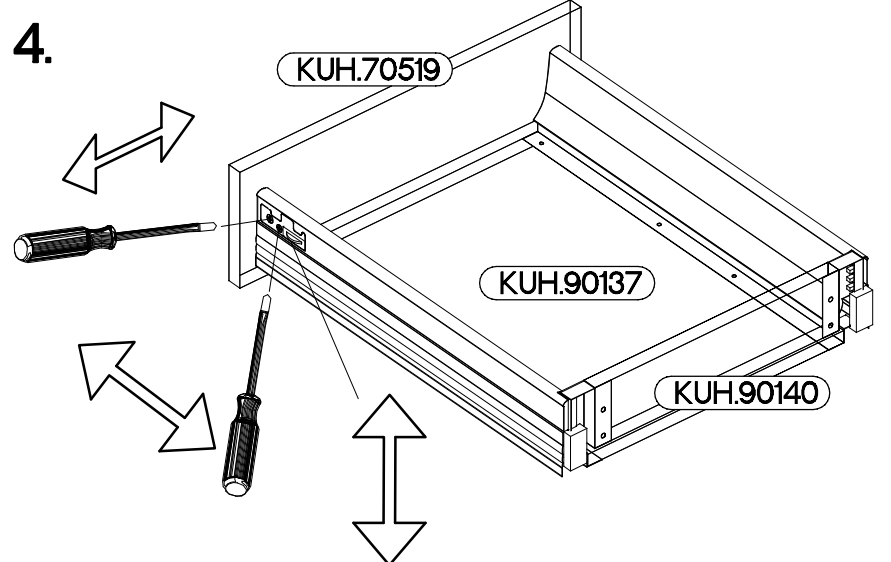
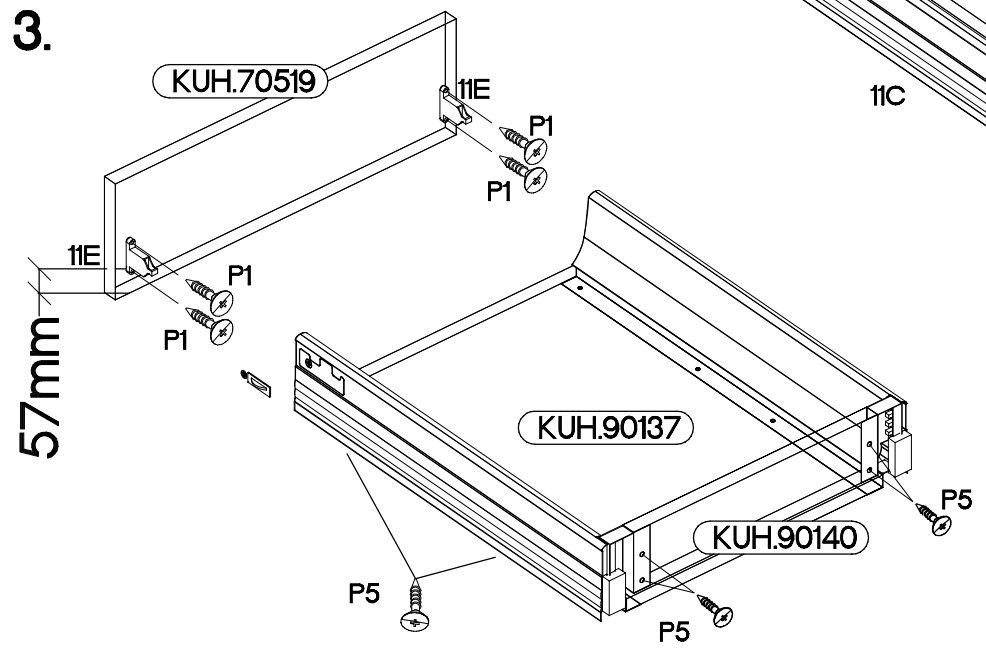
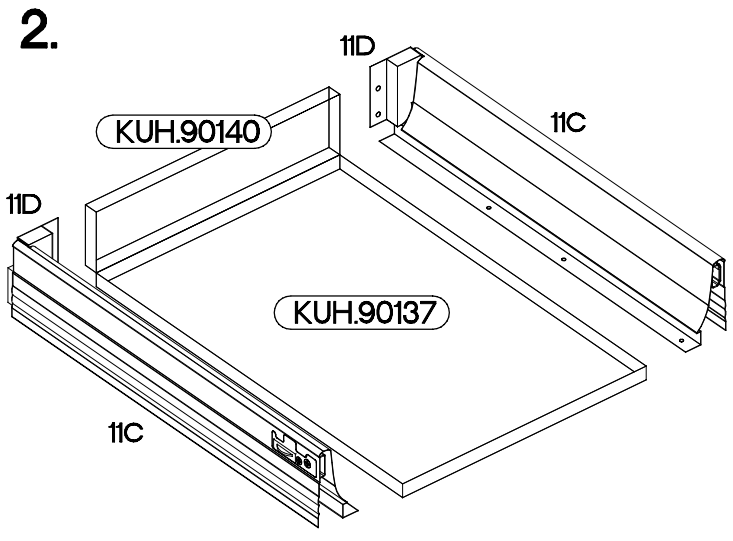
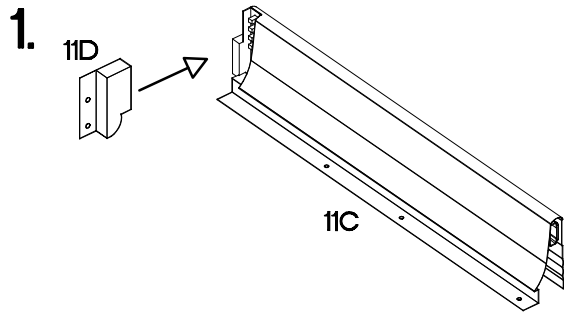
x2



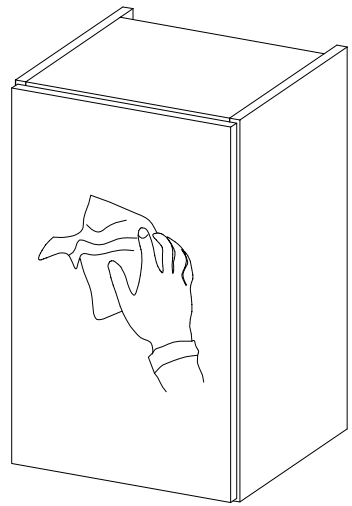
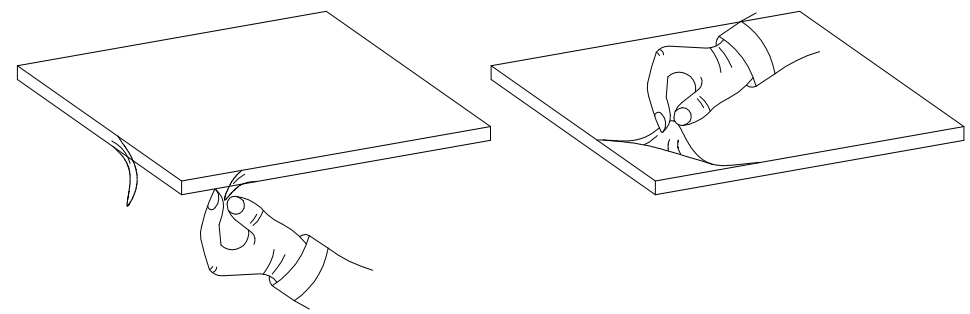
VARIANT HIGH GLOSS

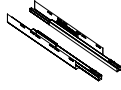


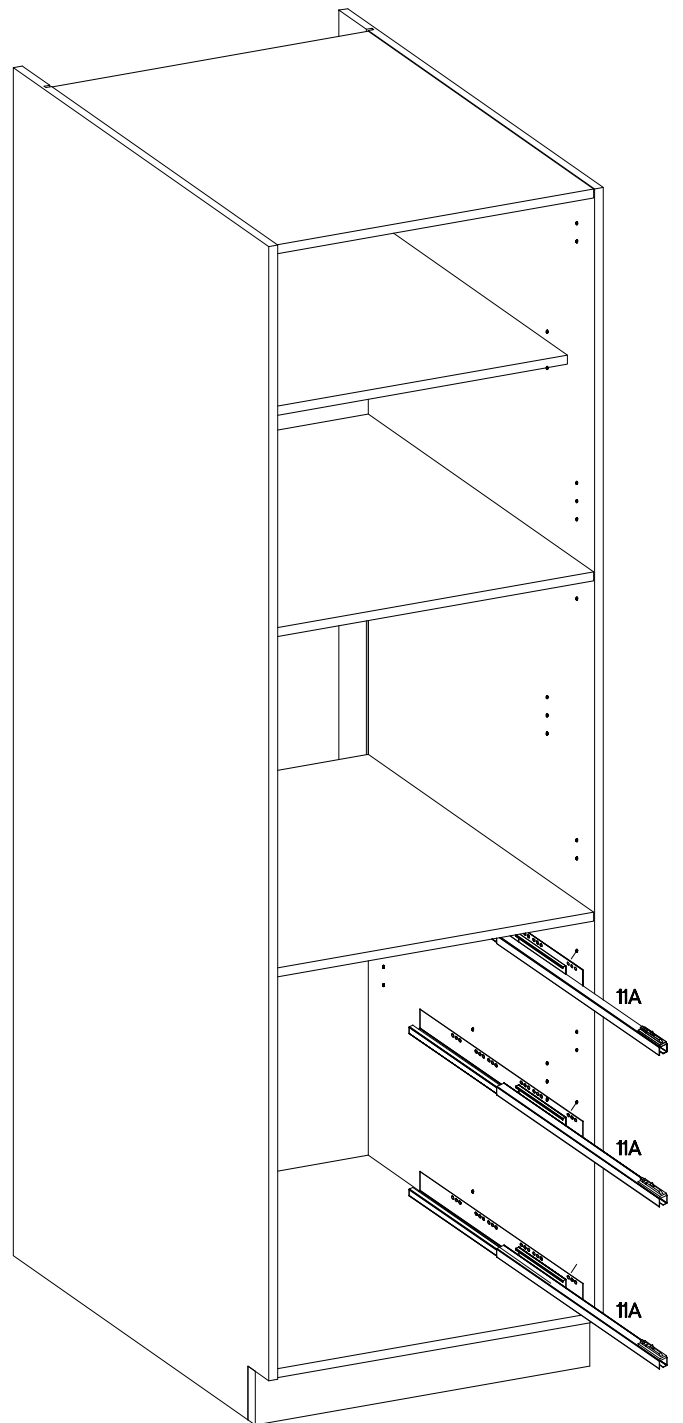
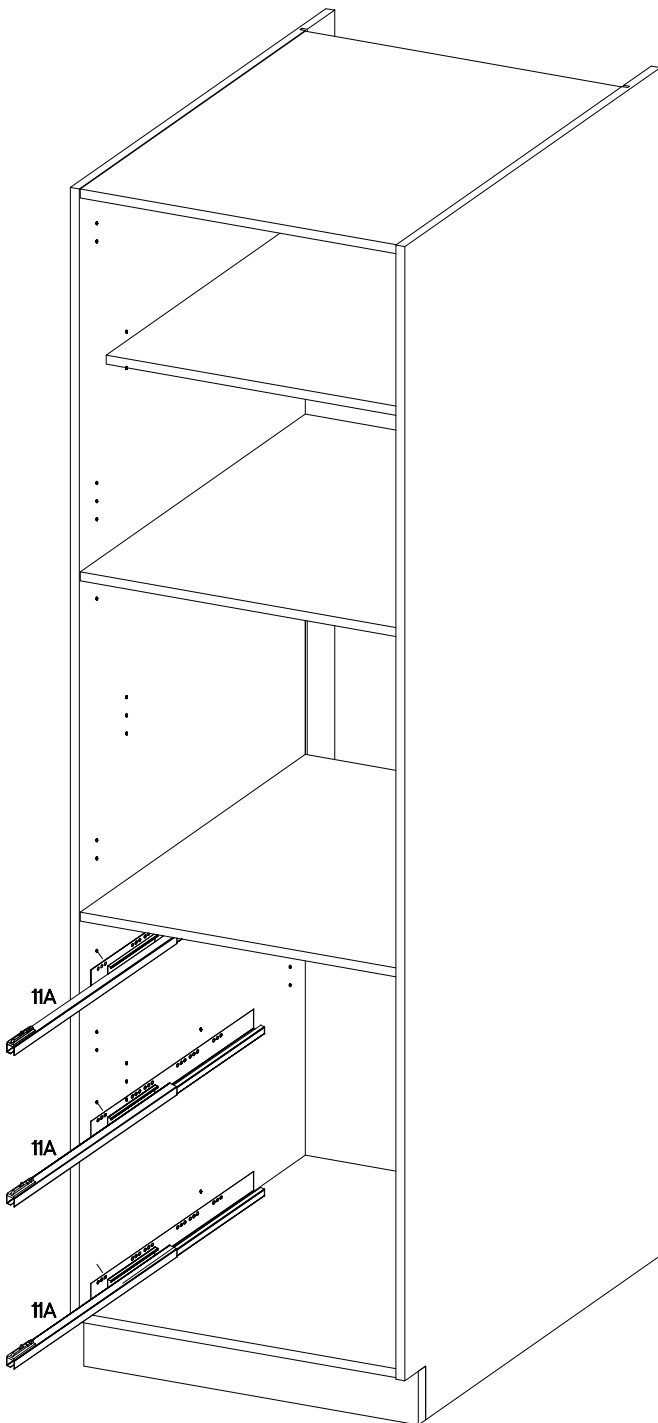
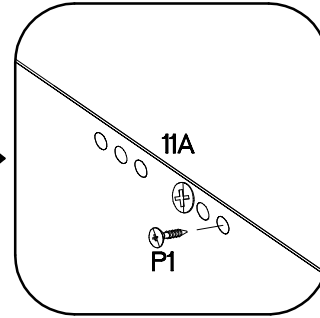
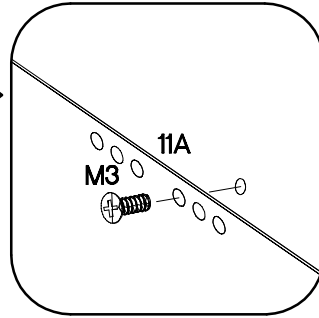
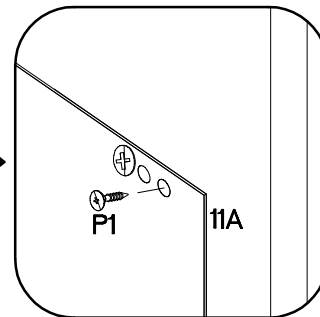
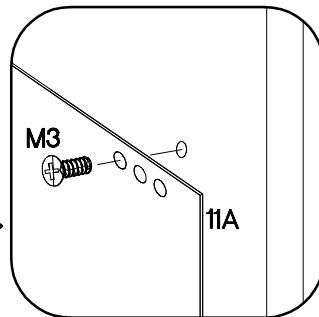
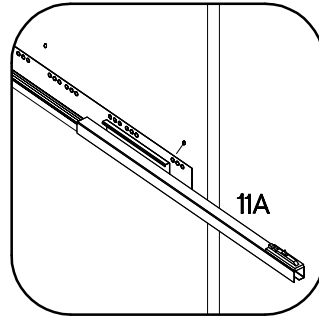
 11D	 11C	 11E	 P1	 P5	 11G
1	1	2	4	8	2




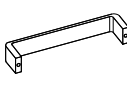
VARIANT HIGH GLOSS

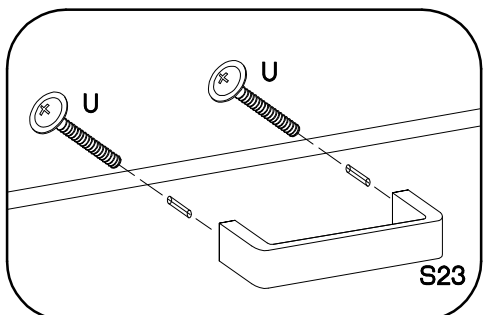
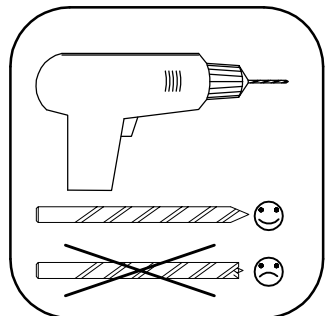
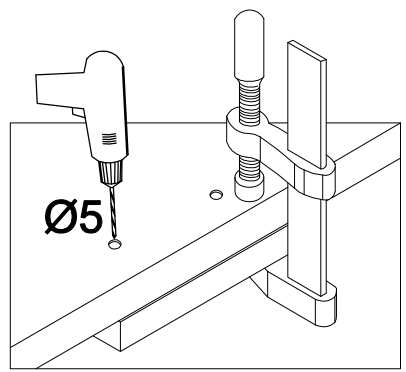
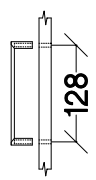
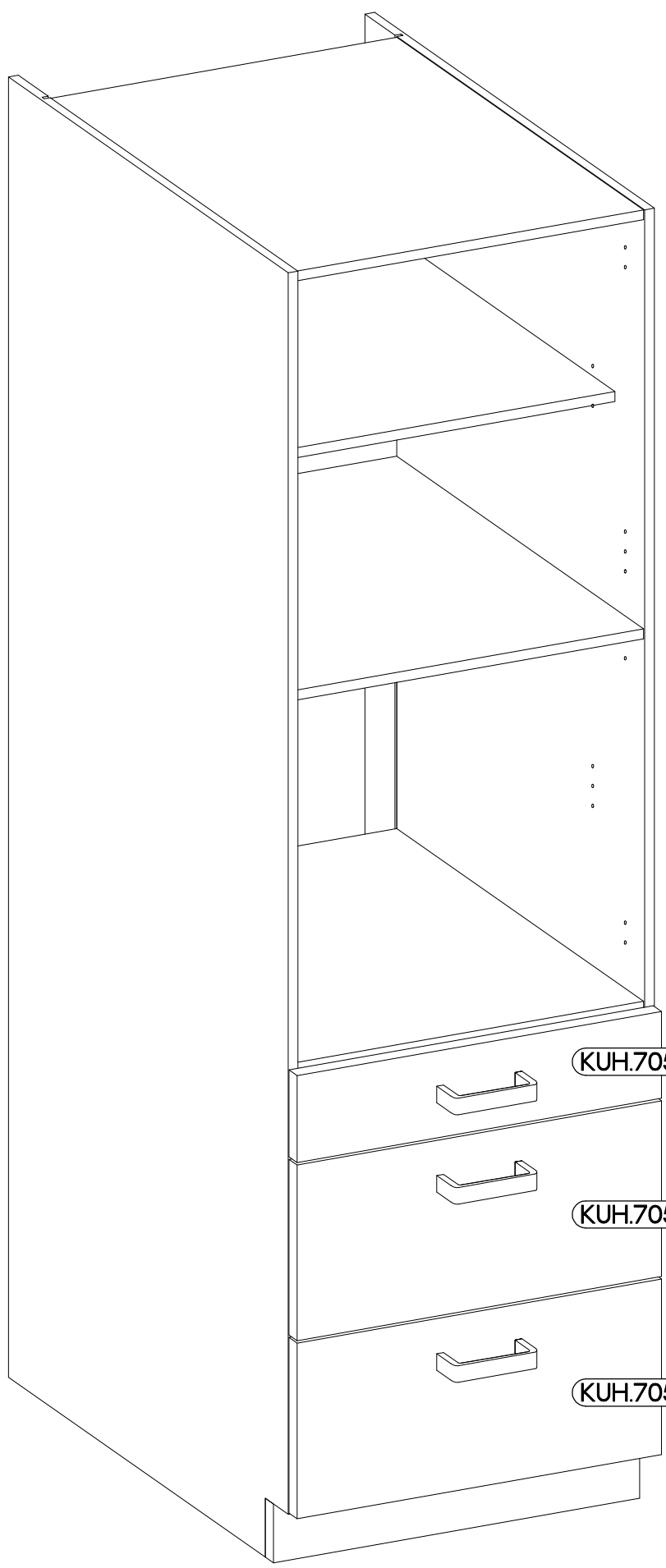


	+6.3x13mm	+4.0x16mm
11A	M3	P1
3	12	12



4

M4x22mm	
	
U	S23
6	3

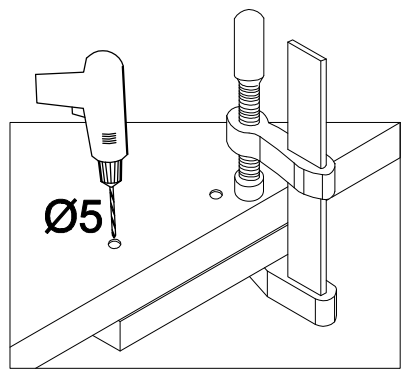
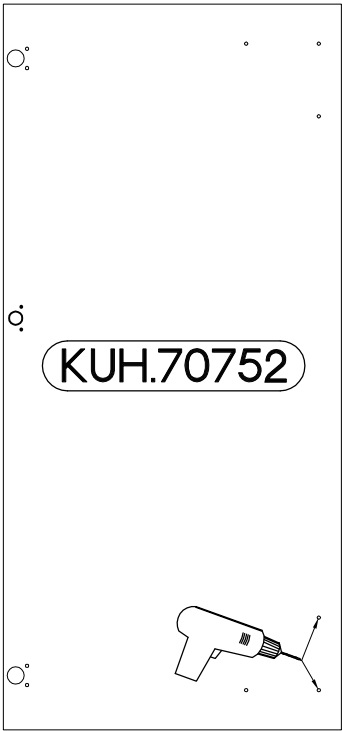
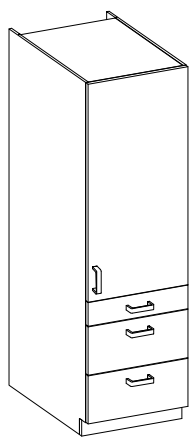
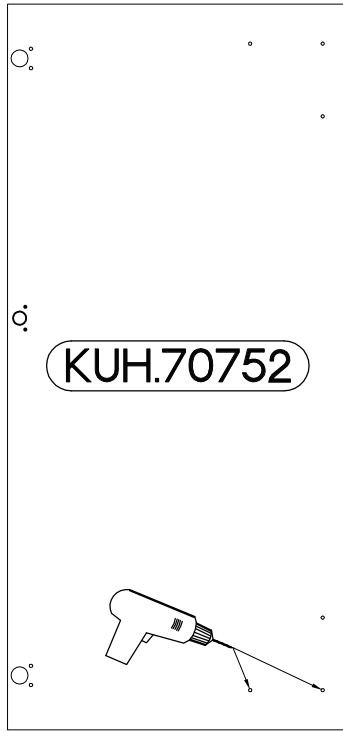
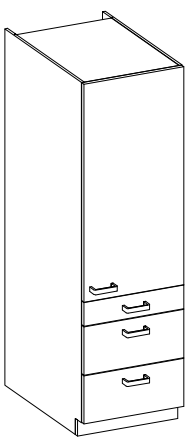
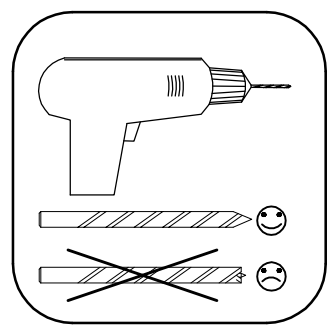
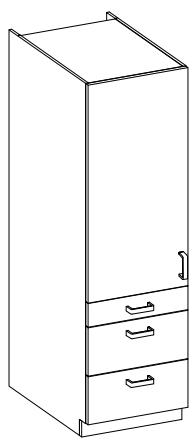
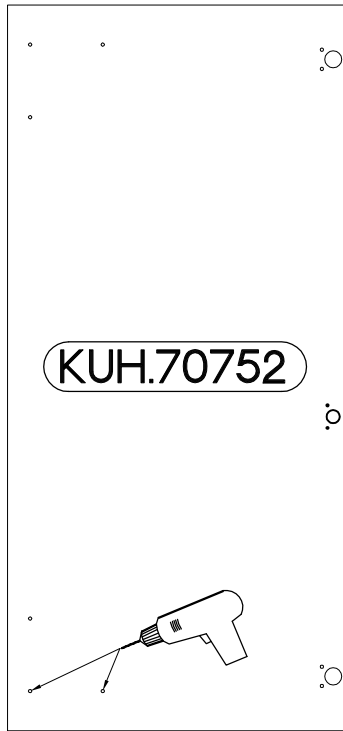
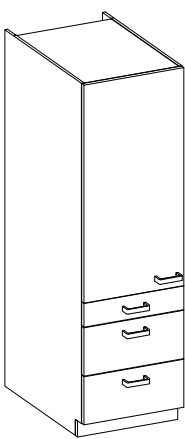


KUH.70519

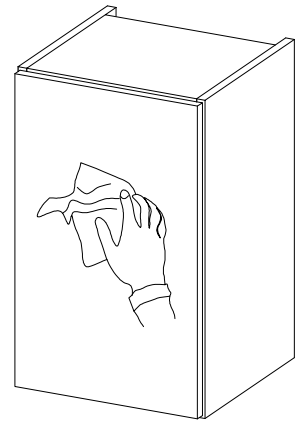
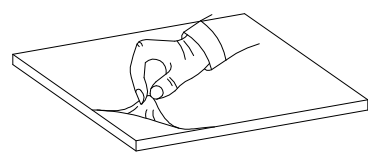
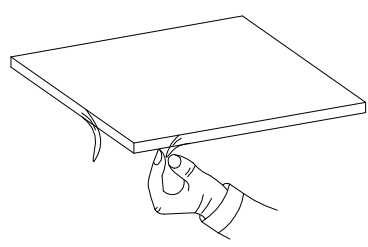
KUH.70520

KUH.70520



5

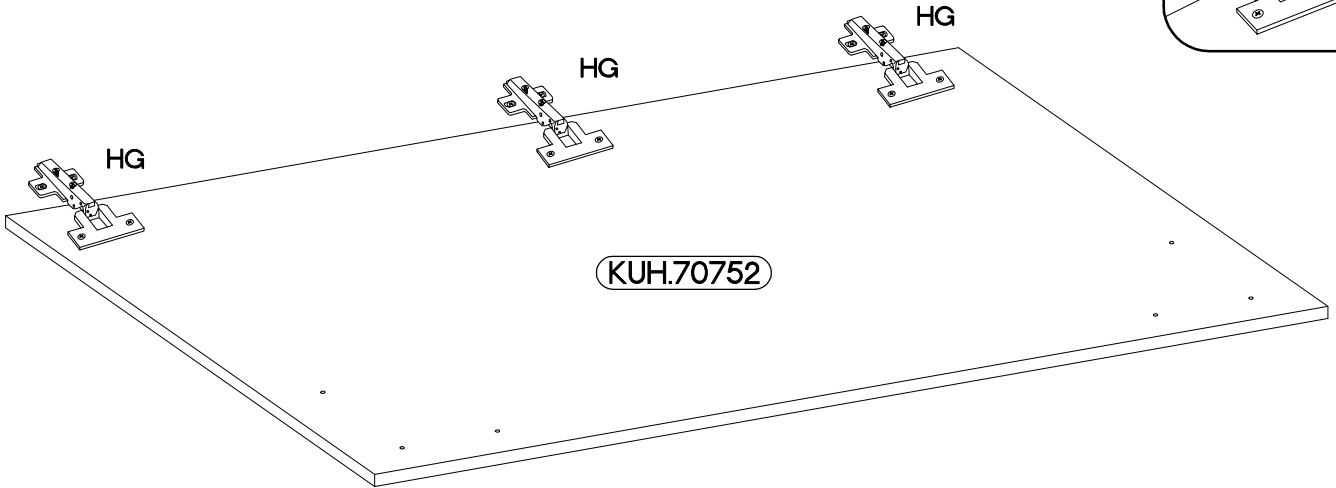
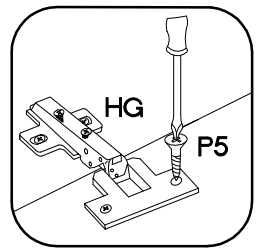


VARIANT HIGH GLOSS





6

 HG 3	 P5 6
---	---



7

 U 2	 S23 1
---	---

